

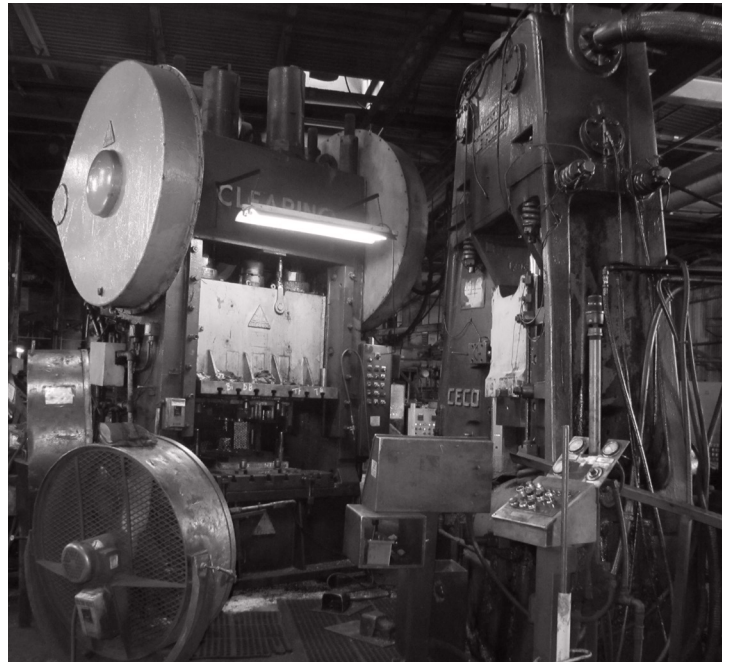
BUY AMERICA

POLE LINE HARDWARE & UTILITY ANCHORS





**Hubbell proudly
manufactures the
products featured in
this catalog in the US**



ABOUT THE BUY AMERICA COMPLIANT PRODUCT IN THIS CATALOG



All products included in this catalog comply with the following federal “Buy America” provisions. Please note that state and local requirements may differ.

1. Buy American Act/Domestic End Products (Supplies). The articles are deemed “domestic end products”, as that term is defined in the Buy American Act of 1933, 41 U.S.C. §8302 and Federal Acquisition Regulations §52.225-1.
2. Trade Agreements Act/End Product. The articles are deemed “U.S.-made end products”, as that term is defined in the Trade Agreements Act of 1979 and Federal Acquisition Regulation §52.225-5.
3. Trade Agreements Act/ Construction Materials. The articles are deemed “domestic construction materials”, as that term is defined in the Trade Agreements Act of 1979 and Federal Acquisition Regulations §52.225-11/12.
4. Federal Highway Administration. The steel and iron components of these manufactured products are deemed manufactured entirely in the U.S. in accordance with, or are otherwise exempt from, the requirements of the FHWA’s “Buy America” requirements found at 23 U.S.C. § 313 and 23 Code of Federal Regulations §635.410.
5. Federal Transit Administration. These articles are deemed of U.S. origin, if deemed to be “COMPONENTS,” under the “Buy America” provisions of the Surface Transportation Assistance Act of 1982 (49 U.S.C. §5323(j)) and 49 Code of Federal Regulations Part 661.5(d)(2). Under the FTA’s “Buy America” requirements, a “Component” is considered to be of U.S. origin if it is manufactured in the United States, regardless of the origin of its subcomponents.

Purchasers of products in this catalog will be provided a dated certificate of compliance to the Buy America provisions above, if requested from Hubbell customer service at the time of order. If additional products are required beyond what is listed in this catalog, please contact your local Hubbell sales person or customer service representative to inquire about the availability of other products to satisfy your Buy America needs.

TABLE OF CONTENTS

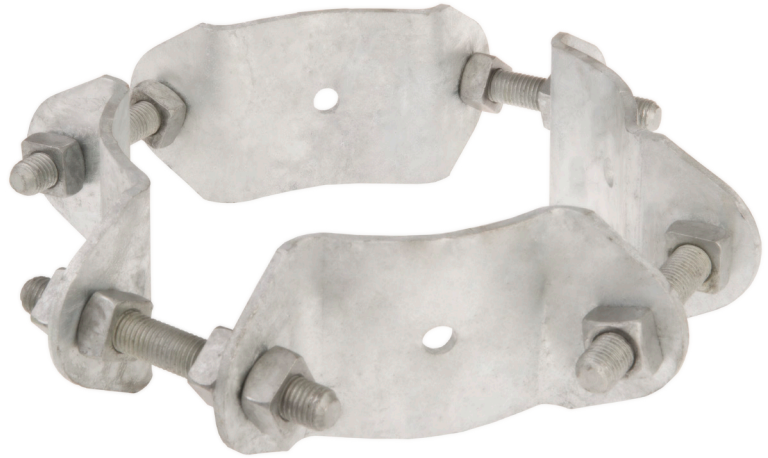
	<u>PAGE NO.</u>
Bands	5
Bolts	6
Clevis - Insulator	11
Eyelets - Oval	12
Eyenuits - Oval	13
Guy Attachment - Pole Eye Plate	14
Hooks - Service Drop	15
Nuts	16
Pins - Crossarm Insulator	17
Rack - Secondary	18
Screws - Lag	19
Washers	19
Tough One® Anchor Helix Assemblies	23
PISA® Anchor Helix Assemblies	24
Square Shaft Screw Anchors	27
No-Wrench Screw Anchor	29
"Bust" Expanding Anchors	30
No-Wrench Screw Anchor	31
Cross Plate Anchor	32

Features:

- Includes four all-thread adjusting bolts

Material:

- Steel, Galvanized per ASTM A-153



Catalog Number	Pole Dia.	Steel Size	Stud Size	Lag Hole Size	Approx. Ship Wt. per Each
C2030194USA	6" to 11 1/2"	1/4" x 4"	3/4" x 6"	9/16"	15.60 lbs.
C2030197USA	9 1/2" to 14"	1/4" x 4"	3/4" x 6"	9/16"	23.60 lbs.



Features:

- Cone pointed ends
- Includes two assembled square nuts

Material:

- Steel, Galvanized per ASTM A-153

5/8" Thread Diameter (5/8-11UNC) | 12,400 lbs. Rated Tensile Strength

Catalog Number	Length	Minimum Thread Length	Approx. Ship Wt. per Each
400013645USA	8"	6"	0.78 lbs.
400013652USA	10"	6"	0.88 lbs.
400013660USA	12"	6"	0.93 lbs.
400013678USA	14"	6"	1.08 lbs.
400013686USA	16"	6"	1.23 lbs.
400013694USA	18"	6"	1.40 lbs.
400013702USA	20"	6"	1.54 lbs.

Telcordia (Bellcore) Standard CAO 6645

3/4" Thread Diameter (3/4-10UNC) | 18,350 lbs. Rated Tensile Strength

Catalog Number	Length	Minimum Thread Length	Approx. Ship Wt. per Each
400013728USA	10"	6"	1.26 lbs.
400013736USA	12"	6"	1.54 lbs.
400013744USA	14"	6"	1.62 lbs.
400013751USA	16"	6"	1.88 lbs.
400013769USA	18"	6"	2.25 lbs.

Telcordia (Bellcore) Standard CAO 6645

BOLTS - DOUBLEARMING

Industry Reference:

- DA Bolts

Features:

- Includes four assembled nuts
- Cone pointed ends

Material:

- Steel, Galvanized per ASTM A-153



5/8" Thread Diameter (5/8-11UNC) | 12,400 lbs. Rated Tensile Strength

Catalog Number	Length	Approx. Ship Wt. per Each
8862USA	12"	1.26 lbs.
8864USA	14"	1.48 lbs.
8866USA	16"	1.70 lbs.
8868USA	18"	1.80 lbs.
8870USA	20"	1.97 lbs.
8872USA	22"	2.13 lbs.
8874USA	24"	2.27 lbs.
8876USA	26"	2.40 lbs.
8877USA	28"	2.53 lbs.
8878USA	30"	2.67 lbs.
T2060419USA	36"	

ANSI Standard, C135.1

3/4" Thread Diameter (3/4-10UNC) | 18,350 lbs. Rated Tensile Strength

Catalog Number	Length	Approx. Ship Wt. per Each
8882USA	12"	1.82 lbs.
8884USA	14"	2.24 lbs.
8886USA	16"	2.48 lbs.
8888USA	18"	2.72 lbs.
8890USA	20"	2.92 lbs.
8892USA	22"	3.16 lbs.
8894USA	24"	3.35 lbs.
8896USA	26"	3.56 lbs.

ANSI Standard, C135.1

Industry Reference:

- Through Bolt

Features:

- Includes one assembled square nut
- Cone pointed ends

Material:

- Steel, Galvanized per ASTM A-153



5/8" Thread Diameter (5/8-11UNC) | 12,400 lbs. Rated Tensile Strength

Catalog Number	Length	Minimum Thread Length	Approx. Ship Wt. per Each
8808USA	8"	4"	0.78 lbs.
8809USA	9"	4"	0.88 lbs.
8810USA	10"	6"	0.93 lbs.
8812USA	12"	6"	1.08 lbs.
8814USA	14"	6"	1.23 lbs.
8816USA	16"	6"	1.40 lbs.
8818USA	18"	6"	1.54 lbs.
8820USA	20"	6"	1.71 lbs.
8822USA	22"	6"	1.76 lbs.
8824USA	24"	6"	196 lbs.
8826USA	26"	6"	2.15 lbs.
8828USA	28"	6"	2.31 lbs.

ANSI Standard, C135.1

3/4" Thread Diameter (3/4-10UNC) | 18,350 lbs. Rated Tensile Strength

Catalog Number	Length	Minimum Thread Length	Approx. Ship Wt. per Each
8908USA	8"	4"	1.26 lbs.
8910USA	10"	6"	1.54 lbs.
8912USA	12"	6"	1.62 lbs.
8914USA	14"	6"	1.88 lbs.
8916USA	16"	6"	2.25 lbs.
8918USA	18"	6"	2.32 lbs.
8920USA	20"	6"	2.52 lbs.

ANSI Standard, C135.1

BOLTS - OVALEYE



Features:

- One assembled square nut
- Cone pointed end
- Internal eye dimensions are 7/16" x 1-1/4" x 1-5/8"

Material:

- Steel, Galvanized per ASTM A-153

5/8" Thread Diameter (5/8-11UNC) | 12,400 lbs. Rated Tensile Strength

Catalog Number	Length Under Eye	Thread Length	Approx. Ship Wt. per Each
29956USA	6"	4"	1.00 lbs.
29958USA	8"	4"	1.04 lbs.
29960USA	10"	6"	1.22 lbs.
29962USA	12"	6"	1.44 lbs.
29964USA	14"	6"	4.16 lbs.
29966USA	16"	6"	1.68 lbs.
29968USA	18"	6"	2.08 lbs.
29970USA	20"	6"	2.40 lbs.

ANSI Standard, C135.1



Features:

- One assembled square nut
- Cone pointed end

Material:

- Steel, Galvanized per ASTM A-153

5/8" Thread Diameter (5/8-11UNC) | 13,550 lbs. Rated Tensile Strength

Catalog Number	Length Under Eye	Thread Length	Internal Eye Dimensions	Approx. Ship Wt. per Each
5510USA	10"	4"	9/16 x 11/16"	1.48 lbs.
5512USA	12"	6"	9/16 x 11/16"	1.76 lbs.
5514USA	14"	6"	9/16 x 11/16"	1.88 lbs.
5516USA	16"	6"	9/16 x 11/16"	1.92 lbs.
DG1F18USA	18"	6"	9/16 x 11/16"	2.00 lbs.

ANSI Standard, C135.4

3/4" Thread Diameter (3/4-10UNC) | 18,350 lbs. Rated Tensile Strength

Catalog Number	Length Under Eye	Thread Length	Internal Eye Dimensions	Approx. Ship Wt. per Each
5612USA	12"	6"	11/16" x 13/16"	2.44 lbs.
5614USA	14"	6"	11/16" x 13/16"	2.64 lbs.

ANSI Standard, C135.4

CLEVIS - INSULATOR



Features:

- Includes 5/8" clevis pin and cotter key

Material:

- Steel, Galvanized per ASTM A-153

Catalog Number	Height	Length	Steel Size	Mounting Hole Size	Ultimate Deadend Strength (lbs.) per ANSI C135.20	Approx. Ship Wt. per Each	Approx. Ship Wt. per Each
468USA	3-1/2"	4"	1" x 1/2" x 1/8" Channel	11/16"	3,000 lbs.	1.32 lbs.	1.32 lbs.

ANSI Standard, C135.20

EYELETS - OVAL



Features:

- Slotted hole aids in bolt installation
- Strength consistent with corresponding ANSI bolt size

Material:

- Forged Steel, Galvanized per ASTM A-153

Catalog Number	Bolt Dia.	Mounting Hole Size	Internal Eye Dimensions	Minimum Ultimate Tensile Strength	Approx. Ship Wt. per Each
B14AUSA	5/8"	11/16" x 1"	1-1/4" x 3"	13,550 lbs.	1.12 lbs.

ANSI Standard, C135.5

EYENUTS - OVAL



Features:

- Strength consistent with ANSI bolt size

Material:

- Forged Steel, Galvanized per ASTM A-153

Catalog Number	Bolt Size	Internal Eye Dimensions	Minimum Ultimate Tensile Strength	Approx. Ship Wt. per Each
6502USA	5/8"	1-1/2" x 1-3/4"	13,550 lbs.	.63 lbs.
6503USA	3/4"	1-1/2" x 1-3/4"	20,050 lbs.	.54 lbs.

ANSI Standard, C135.5

GUY ATTACHMENT - POLE EYE PLATE



Features:

- Wide base distributes load

Material:

- Cast ductile iron per ASTM A-536
- Galvanized per ASTM A-153

Catalog Number	Minimum Ultimate Tensile Strength	Clevis Pin Hole	Mounting Hole Dia.	Lower Hole Dia.	Base Width	Overall Length	Approx. Ship Wt. per Each
GEP6USA	21,000 lbs.	13/16"	Two 13/16"	Two 9/16"	4 1/8"	6 5/8"	2.69 lbs.

ANSI Standard, C135.20

HOOKS - SERVICE DROP



Industry Reference:

- J-Hook

Features:

- Fetter threads with drive point for driven installation

Material:

- Steel, Galvanized per ASTM A-153

Catalog Number	Overall Length	Thread	Thread Length	Approx. Ship Wt. per Each
C2050190USA	4-3/4"	7/16" Dia. Fetter	2-1/2"	0.27 lbs.

NUT - LOCKNUT

MF STYLE

Features:

- Square concave shape
- Locks with 1/2 to 1 turn after contact with regular nut

Material:

- Steel, Galvanized per ASTM A-153



Catalog Number	Thread Size	Bolt Size	Approx. Ship Wt. per Each
3512USA	5/8-11UNC	5/8"	0.04 lbs.
3513USA	3/4-10UNC	3/4"	0.05 lbs.

NUT - SQUARE

REGULAR

Features:

- Regular nuts are sized for hot dip galvanized threads
- Note: For anchor rods, use heavy square nuts
- Large flat surface for maximum wrench contact

Material:

- Steel, Galvanized per ASTM A-153



Catalog Number	Bolt Size	Thread Size	Width	Thickness	Approx. Ship Wt. per Each
55084PUSA	5/8"	5/8-11UNC	1"	35/64"	0.10 lbs.
55085PUSA	3/4"	3/4-10UNC	1 1/8"	21/32"	0.14 lbs.



Features:

- Nylon threads provides firm, resilient fit

Material:

- Body: Steel, Galvanized per ASTM A-153
- Insulator Thread: Semi-conductive nylon or lead as noted

Catalog Number - Nylon Threads	Catalog Number - Lead Threads	Insulator Thread	Shank (through crossarm)			Shaft (above crossarm)		Washer	ANSI Cantilever Load Rating	Approx. Ship Wt. per Each - Nylon/Lead
			Shank Dia.	Shank Length	Min. Thread Length of Shank	Shaft	Base Dia.			
887PUSA		1"	5/8"	2-1/2"	2-1/4"	6"	2"	5/8" lock washer	800 lbs.	1.06 lbs.
881PUSA	881USA	1"	5/8"	5 3/4"	3"	5"	2"	2" Sq. x 1/8"	1,000 lbs.	1.48 lbs./1.75 lbs.
881APUSA		1"	5/8"	6 1/2"	3"	5"	2"	2" Sq. x 1/8"	1,000 lbs.	1.52 lbs.
883PUSA		1"	5/8"	6 1/2"	3"	6"	2"	2" Sq. x 1/8"	800 lbs.	1.60 lbs.

ANSI Standard, C135.17

RACK - SECONDARY



Features:

- 1-1/4" mounting slots for 5/8" bolts

Material:

- Steel, Galvanized per ASTM A-153

Catalog Number	Number of Wires	Duty Rating	Style	Length of Back	Width of Back	End Mounting Hole Spacing	Approx. Ship Wt. per Each
C2070048USA	4	Medium Duty, 12 Gauge (.109")	Extended Back	34"	2 7/8"	32"	8.80 lbs.

NEMA Standard, C135.7

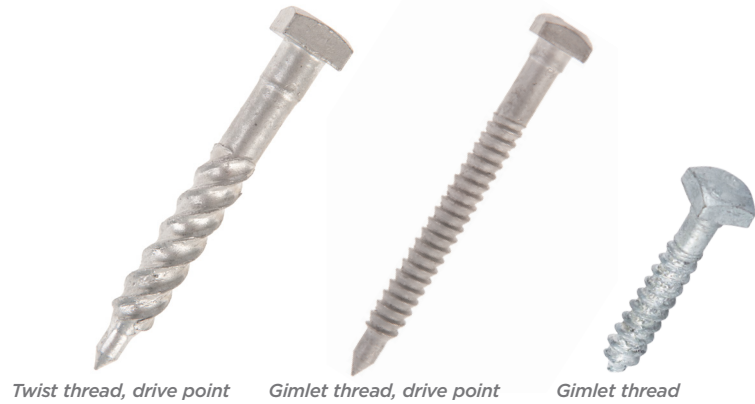
SCREWS - LAG

Features:

- Upset shoulders for tighter fit

Material:

- Steel, Galvanized per ASTM A-153



Catalog Number	Diameter	Length	Thread Type	Head Type	Thread Length	Approx. Ship Wt. per Each
8722GPUSA	1/4"	2"	Gimlet	Square	1-1/2"	0.03 lbs.
DF6L250USA	3/8"	2-1/2"	Gimlet	Square	1-3/4"	0.04 lbs.
508753USA	1/2"	3"	Fetter	Square	2-1/4"	0.20 lbs.
508754USA	1/2"	4"	Fetter	Square	2-5/8"	0.24 lbs.
508500USA	1/2"	4"	Twist Drive	Square	2-5/8"	0.23 lbs.

WASHERS - ROUND

Features:

- Distributes load

Material:

- Steel, Galvanized per ASTM A-153



Catalog Number	Bolt Size	Size	Hole Dia.	Approx. Ship Wt. per Each
6805USA	5/8"	1 3/4" Dia. x 10 Ga. (0.1345")	11/16"	0.085 lbs.
6806USA	3/4"	2" Dia. x 9 Ga. (0.1495")	13/16"	0.118 lbs.

ANSI Standard, C135.5

WASHERS - SPRING LOCK

DOUBLE-COIL

Features:

- Double-coil washers take-up slack resulting from wood shrinkage

Material:

- Steel, Galvanized per ASTM A-153



Catalog Number	Accommodates Bolt Size	Material Size	Hole Dia.	Approx. Ship Wt. per Each
C2050186USA	5/8"	3/16" x 15/64"	11/16"	0.066 lbs.

WASHERS - SPRING LOCK

SINGLE-COIL

Features:

- Friction fit maintains tight metal to metal connections

Material:

- Steel, Galvanized per ASTM A-153



Catalog Number	Accommodates Bolt Size	Material Size	Hole Dia.	Approx. Ship Wt. per Each
4036USA	5/8"	0.156" x 0.203"	11/16"	0.024 lbs.
4037USA	3/4"	0.188" x 0.234"	13/16"	0.048 lbs.

WASHERS - SQUARE CURVED

PRESSED STEEL



Features:

- Resist crushing of wood fibers under normal loads

Material:

- Steel, Galvanized per ASTM A-153

Catalog Number	Accommodates Bolt Size	Material Size	Hole Dia.	Approx. Ship Wt. per Each
PS6822USA	5/8"	2-1/2" x 2-1/2" x 3/16"	11/16"	0.36 lbs.
682212USA	3/4"	3" X 3" x 1/4"	13/16"	0.66 lbs.
6825USA	3/4"	3-1/4" x 3-1/4" x 1/4"	13/16"	0.76 lbs.
DF4W15USA	3/4"	4" x 4" x 3/16"	13/16"	0.82 lbs.

WASHERS - SQUARE CURVED

HIGH-STRENGTH CAST



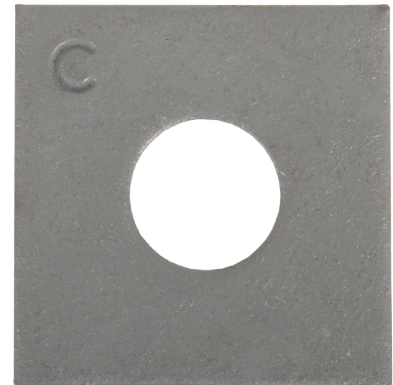
Features:

- Resist crushing of wood fibers under high loads

Material:

- Cast ductile iron per ASTM A-536
- Steel, Galvanized per ASTM A-153

Catalog Number	Bolt Size	Size	Thickness at Boss	Approx. Ship Wt. per Each
GCW41USA	3/4"	4" x 4"	1/2"	1.00 lbs.



Features:

- Resist crushing of wood fibers under normal loads

Material:

- Steel, Galvanized per ASTM A-153

Catalog Number	Bolt Size	Size	Hole Dia.	Approx. Ship Wt. per Each
6812USA	5/8"	2" x 2" x 1/8"	11/16"	0.12 lbs.
6813USA	5/8"	2-1/4" x 2-1/4" x 3/16"	11/16"	0.24 lbs.
6814USA	3/4"	2-1/4" x 2-1/4" x 3/16"	13/16"	0.23 lbs.

TOUGH ONE® ANCHOR HELIX ASSEMBLIES

TORQUE RATINGS: 10,000 FT.-LB., AND 8,000 FT.- LB.

Small Hub (2-1/4" Square Inside)

The C10252-- series of Tough One® anchors have a smaller inside hub diameter than our C10250-- series. The smaller hub is designed to be installed with the Chance anchor wrench C1021583.

Tough One® anchors give users high-strength anchor capability in all soils. You get a better anchor at an economical price.

The anchor's sloped lead point improves penetration and helps soil flow from below the hub to above the anchor.

Tough One® anchors use standard PISA® rods.

Tough One® anchors are painted with a black paint.



Use 8,000 ft.-lb. Tough One® anchor in soft and medium-hard soils

Use high-strength 10,000 ft.-lb. Tough One® anchor in hard soils

Ordering Information:

8,000 ft.-lb. Tough One® anchor | 2-1/4" Square Inside Hub

Install with the Chance STANDARD (10,000 ft.-lb.) wrench.

	8" Dia.	10" dia.
For 5/8" dia. Rod	C1025208USA	C1025209USA
For 3/4" & 1" dia. Rods	C1025204USA	C1025205USA
	12" Dia.	14" dia.
For 3/4" & 1" dia. Rods	C1025206USA	C1025207USA
For 5/8" dia. Rods	C1025210USA	

10,000 ft.-lb. Tough One® anchor | 2-1/4" Square Inside Hub

Install with the Chance STANDARD (10,000 ft.-lb.) wrench.

	8" Dia.	10" dia.
For 3/4" & 1" dia. Rods	C1025200USA	C1025201USA
	12" Dia.	14" dia.
	C1025202USA	C1025203USA*

PISA® ANCHOR HELIX ASSEMBLIES

Chance Standard-Strength 4,000 foot-pound anchors and Mid-Strength 6,000 foot-pound anchors have curvilinear leading edges to help penetrate rocky soils and to reduce damage during installation. These anchors are available in single and twin-helix designs. The same installing wrench installs Standard and Mid-Strength anchors as well as TOUGH ONE® C10252- - series anchors. Anchors are painted with a black paint.



PISA® anchor installation takes about 5 minutes with two workers.

Ordering Information:

STANDARD-STRENGTH ANCHOR SERIES

1-3/8" CORE — 4000 ft.-lbs. Typical Working Torque — Squared Helix — 3.0" Helix Pitch

SINGLE HELIX	Catalog Number			
	8" Dia.	10" dia.	12" Dia.	14" dia.
For 5/8" dia. Rod	024474USA	024476USA	024462USA	NA
For 3/4" & 1" dia. Rods	024475USA	024478USA	024481USA	024484USA
TWIN HELIX	Catalog Number			
	8" Dia.		10" dia.	
For 3/4" & 1" dia. Rods	012904USA		012905USA	

MID-STRENGTH ANCHOR SERIES

1-3/8" CORE — 4000 ft.-lbs. Typical Working Torque — Squared Helix — 3.0" Helix Pitch

SINGLE HELIX	Catalog Number			
	8" Dia.	10" dia.	12" Dia.	14" dia.
For 5/8" dia. Rod	E1021629USA	E1021630USA	E1021631USA	NA
For 3/4" & 1" dia. Rods	E1021632USA	E1021633USA	E1021634USA	E1021801USA
TWIN HELIX	Catalog Number			
	4" Dia.	8" Dia.	10" Dia.	
For 3/4" & 1" dia. Rods	E1021635USA	E1021636USA	E1021637USA	

PISA® 6 AND PISA® 7 ANCHOR HELIX ASSEMBLIES

Chance PISA®-6 6000 foot-pound anchors and PISA®-7 7000 foot-pound anchors have curvilinear leading edges to help penetrate rocky soils and to reduce damage during installation. These anchors are available in single and twin-helix designs.

PISA®-6 and PISA®-7 anchors have a 1½" square solid core for added strength. Anchors are painted with a black paint.



Ordering Information:

PISA® 6 Anchor

1-1/2" CORE — 6000 ft.-lbs. Typical Working Torque — Squared Helix — 3.0" Helix Pitch

SINGLE HELIX	Catalog Number			
	8" Dia.	10" dia.	12" Dia.	14" dia.
For 5/8" dia. Rod	E1020816USA	E1020817USA	—	—
For 3/4" & 1" dia. Rods	E1020819USA	E1020820USA	E1020821USA	T1022142USA

TWIN HELIX	Catalog Number	
	8" Dia.	10" dia.
For 3/4" & 1" dia. Rods	E1020822USA	E1020823USA

PISA® 7 Anchor

1-1/2" CORE — 7000 ft.-lbs. Typical Working Torque — Squared Helix — 3.0" Helix Pitch

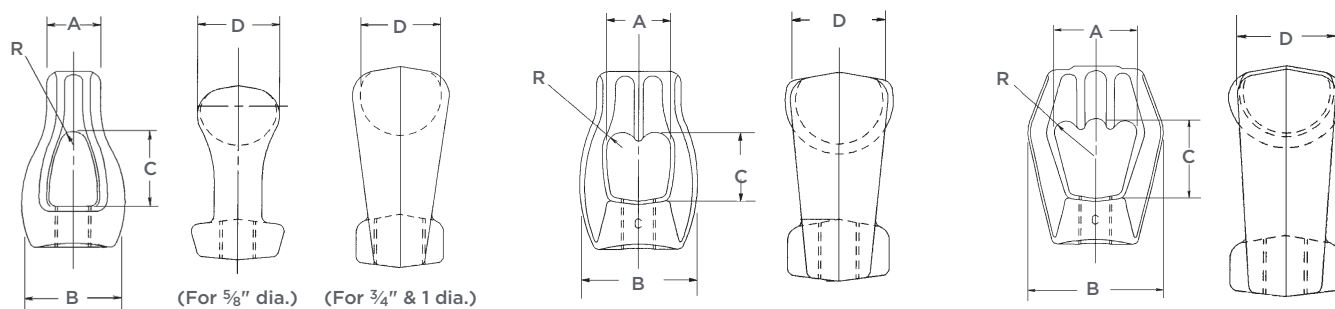
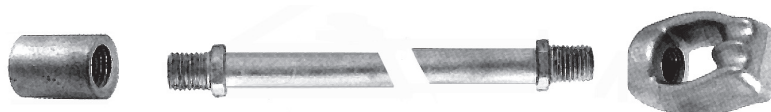
SINGLE HELIX	Catalog Number			
	8" Dia.	10" dia.	12" Dia.	14" dia.
For 3/4" & 1" dia. Rods	E1021223USA	E1020250USA	T1022143USA	T1022319USA

TWIN HELIX	Catalog Number		
	4" Dia.	8" Dia.	10" Dia.
For 3/4" & 1" dia. Rods	E1021219USA	E1021220USA	V1021428USA

PISA® ANCHOR RODS, EYENUTS & COUPLINGS

All components shown on this page are hot-dip galvanized per ASTM A153.

EYENUT	Catalog Number		
	Thimbleye®	Twineye®	Tripleye®
For 5/8" Dia. Rods	12587USA	12589USA	12593USA
For 3/4" & 1" Dia. Rods	6512USA	6562USA	12585USA
For 1" Dia. H.S.+	N/A	6562HUSA	12585HUSA



THIMBLEYE® NUTS	A	B	C	D	R	TWINEYE® NUTS	A	B	C	D	R	TRIPLEYE® NUTS	A	B	C	D	R
For 5/8" Dia. Rods	7/8"	1 7/8"	1 3/8"	1 1/64"	1/4"	For 5/8", 3/4" & 1 Dia. Rods	1 13/32"	2 25/64"	1 27/64"	1 1/2"	5/16"	For 5/8", 3/4" & 1 Dia. Rods	1 3/4"	2 13/16"	1 5/8"	1 1/2"	1/4"
For 3/4" & 1 Dia. Rods	1 1/8"	2 25/64"	1 19/32"	1 5/8"	1 3/32"												

ROD	3 3/4-ft. ROD	7-ft. ROD	Ultimate Strength†
	Cat No.	Cat No.	
5/8" Dia.	12336PUSA	12332PUSA	16,000 lbs.
3/4" Dia.	12634PUSA	12632PUSA	23,000 lbs.
1" Dia.	12338PUSA	12334PUSA	36,000 lbs.
1" Dia. H.S.	C1021987USA	C1021986USA	50,000 lbs.

*H.S. 50,000-lb. Eye nuts are galvanized and painted orange. †Ultimate strength ratings apply to properly installed anchors only. Failure to install within 5° of alignment with the guy load will significantly lower strength.

PISA® Rod & Eye Nut Combinations

Catalog Number	Rod, Eye Nut	Catalog Number	Rod, Eye Nut
E1020031USA	5/8" x 3 1/2' Rod & Thimbleye Nut	E1020044USA	3/4" x 7' Rod & Twineye Nut
E1020047USA	5/8" x 3 1/2' Rod & Tripleye Nut	E1020052USA	3/4" x 7' Rod & Tripleye Nut
E1020035USA	5/8" x 7' Rod & Thimbleye Nut	E1020041USA	1" x 3 1/2' Rod & Twineye Nut
E1020043USA	5/8" x 7' Rod & Twineye Nut	E1020049USA	1" x 3 1/2' Rod & Tripleye Nut
E1020051USA	5/8" x 7' Rod & Tripleye Nut	E1020037USA	1" x 7' Rod & Thimbleye Nut
E1020032USA	3/4" x 3 1/2' Rod & Thimbleye Nut	E1020045USA	1" x 7' Rod & Twineye Nut
E1020040USA	3/4" x 3 1/2' Rod & Twineye Nut	E1020053USA	1" x 7' Rod & Tripleye Nut
E1020036USA	3/4" x 7' Rod & Thimbleye Nut		

SS5 (SQUARE-SHAFT) SCREW ANCHORS

Square-Shaft “SS” multi-helix screw anchors are designed for heavy-guy loading. They have 1-1/2” square steel shafts. Extension shafts must be coupled to the helix section for installation to the proper depth.

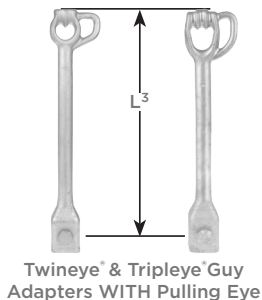
SS screw anchors consist of three galvanized components: the lead section, the extension shaft, which includes an integral coupling, and the guy adapter. Extensions and guy adapters include a high-strength bolt and nut.

Lead Sections								
Catalog Number	Length	Helix Combinations	¹ Holding Capacity - (lb.) vs. Soil Class					
			Class 7	Class 6	Class 5	Class 4	Class 3	Class 2
012642AEUSA	3 ft.	8" - 10"	19,000	23,000	27,000	32,000	36,000	41,000
012642EJUSA	3½ ft.	10" - 12"	21,000	26,000	31,000	36,000	41,000	46,000
012642AEJUSA	5½ ft.	8" - 10" - 12"	26,000	32,000	39,000	46,000	51,000	58,000
012642EJNUSA	7 ft.	10" - 12" - 14"	29,000	37,000	45,000	53,000	61,000	69,000
012642AEJNUSA	10½ ft.	8" - 10" - 12" - 14"	31,000	40,000	49,000	58,000	67,000	N/A
Mechanical Properties			SS5 1.50" Square Shaft					
Max. Installation Torque			5,500 ft.-lb.					
Min. Ultimate Tension Strength			70,000 lb.					

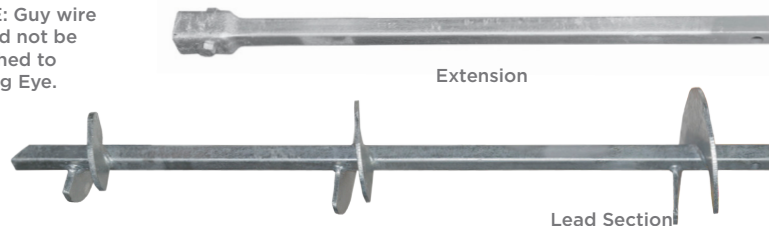
[†]Lead sections are banded to wood blocks to facilitate forklift handling.

Extensions			Extra Bolt & Nut	
Catalog No.	Nominal Length	Helix Diameter	For Extensions & Guy Adapters Standard Package: 10 each	
			Catalog No.	[†] Std.Pkg./ Pallet
12655USA	3½ ft.	N/A	P0010041PUSA	Extra SS5 Bolt
12656USA	5 ft.	N/A		
12657USA	7 ft.	N/A		
12658USA	10 ft.	N/A		
12656NUSA	5 ft.	14"		
12655JUSA	3½ ft.	12"	O55449PUSA	Extra SS5 Nut

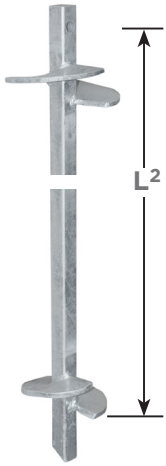
GUY ADAPTERS: 18" overall length, 17" L ₃ length				
Eye Configuration	WITHOUT Pulling Eye	WITH Pulling Eye	Strand Eye Rating*	Pulling Eye Rating
Thimbleye®	C1020023USA	-		N/A
Twineye®	-	C1020024USA	70,000 lb.	12,000 lb.
Tripleye®	-	C1020025USA	70,000 lb.	12,000 lb.



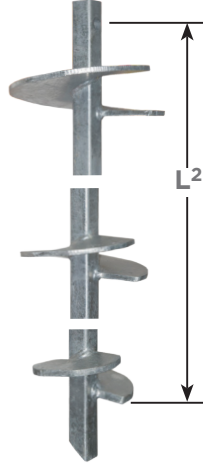
NOTE: Guy wire should not be attached to Pulling Eye.



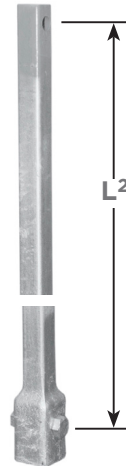
HIGH-STRENGTH SS ANCHORS FOR HEAVY TENSION LOADING



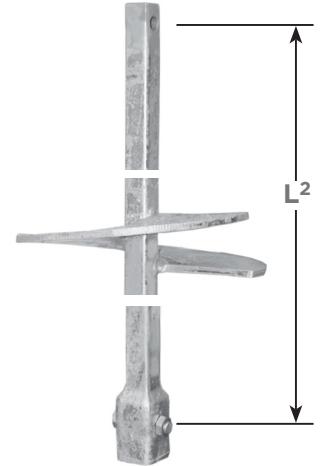
Lead Section



Lead Section



Plain Extension



Single Helix
Extension

Ratings

Mechanical Properties	SS 150 1.50" Square Shaft
Max. Installation Torque	7,000 ft.-lb.
Min. Ultimate Tension Strength	70,000 lb.

Lead Sections - Hot-dip galvanized

Helix Configuration	Catalog No.	L
8" & 10"	C1100385USA	30"
10" & 12"	C1100871USA	42"
6", 8" & 10"	—	—
8", 10" & 12"	C1100386USA	57"
10", 12" & 14"	C1100838USA	84"
8", 10", 12" & 14"	T1100521USA	—

Extensions - Hot-dip galvanized

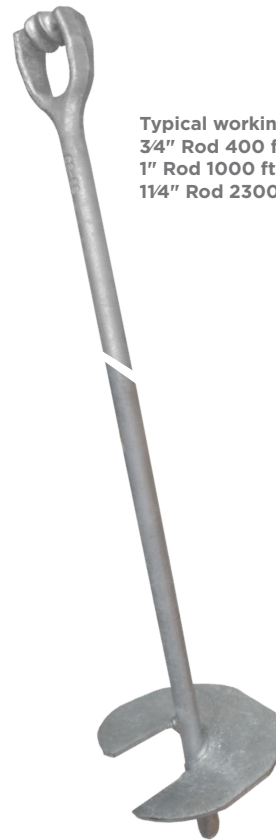
Helix Configuration	Catalog No.	L
None	C1100388USA	37"
None	C1100470USA	59"
None	C1100389USA	80"
None	C1100440USA	122"
Single 14" helix	C1100471USA	48"

NO-WRENCH SCREW ANCHOR

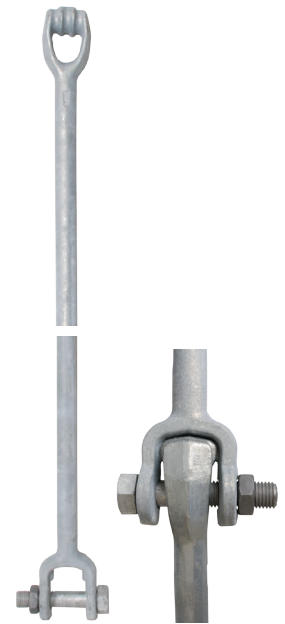
For Hand or Machine Installation

Chance No-Wrench Screw Anchors may be installed by hand or machine. The Thimbleye® eye or Tripleye® eye on the rod has a large opening to admit a turning bar for screwing the anchor down. The eye will also fit into an adapter available from most hole-boring machine manufacturers so the anchor may be power-installed. The No-Wrench Screw Anchor consists of a drop-forged steel Thimbleye® eye or Tripleye® eye rod welded to a steel helix. The entire anchor is hot-dip galvanized for long resistance to rust.

No-Wrench Screw Anchors can be installed to a greater depth to reach a firmer soil by using an extension rod. Maximum installing torque is 2300 ft.-lbs. for 1-1/4" diameter rod.



Typical working torque:
 3/4" Rod 400 ft.-lbs.
 1" Rod 1000 ft.-lbs.
 1 1/4" Rod 2300 ft.-lbs.



Extension Rod 402
 forged coupling engages
 forged Tripleye® fitting
 on Anchor rod.

Application & Ordering Information

Catalog Number	Description	Anchor Size Dia.	Rod Dia. & Length	No-Wrench Screw Anchor Holding Capacity - (lbs.) vs Soil Class		
				Class 5	Class 6	Class 7
4345USA	Tripleye®	4"	3/4" x 54"	4500	3000	1500
6346USA	Tripleye®	6"	3/4" x 66"	6500	5000	2500
PS816USA	Tripleye®	8"	1" x 66"	11000	9000	6000
10146USA	Tripleye®	10"	1 1/4" x 66"	13000	10000	7000
10148USA	Tripleye®	10"	1 1/4" x 96"	13000	10000	7000
12537USA	Tripleye®	14"	1 1/4" x 96"	16000	15000	12000
15148USA	Tripleye®	15"	1 1/4" x 96"	19000	17000	14000

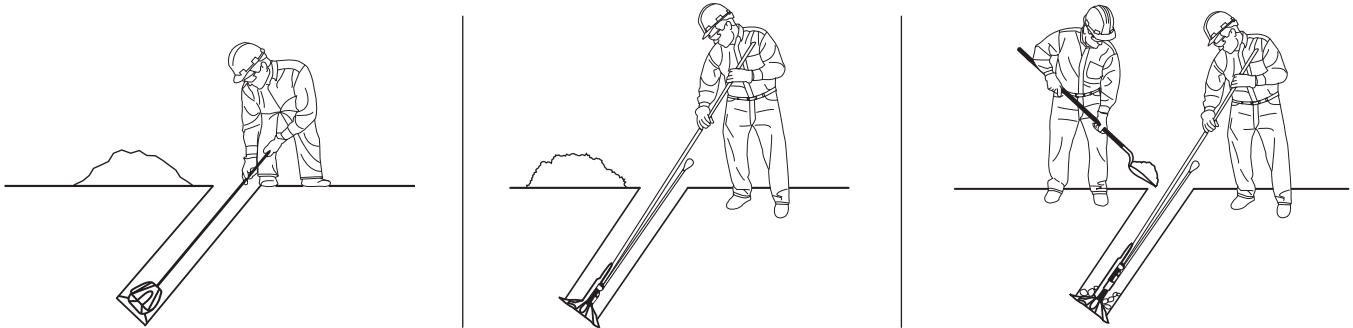
"BUST" EXPANDING ANCHORS

More Holding Capacity For Less

Four different sizes are available with holding capacity as high as 40,000 pounds.

Chance "Bust" Expanding Anchors expand to take full advantage of the available area. All eight blades wedge into undisturbed earth...there is no wasted space between blades.

This anchor should be installed in relatively dry and solid soils. The effectiveness of the anchor is dependent upon the thoroughness of backfill tamping.



Application And Ordering Information

Catalog Number	Anchor Hole Size	Area Sq. In.	Rod Size (Order Separately)	8-Way Anchor Holding Capacity - (lbs.) vs Soil Class				
				Class 3	Class 4	Class 5	Class 6	Class 7
6870USA	6"	70	5/8"	16000	14000	11000	8500	5000
88135USA	8"	135	5/8" or 3/4"	26500 [†]	22000 [†]	18000 [†]	15000	10000
1082USA	10"	200	1"	31000	26500	21000	16500	12000
108234USA	10"	200	3/4"	31000 [†]	26500 [†]	21000	16500	12000
1283USA	12"	300	1 1/4"	40000	34000	26500	21500	16000
12831USA	12"	300	1"	40000 [†]	34000	26500	21500	16000

[†]Ultimate strength of rod may limit holding capacity.

Note: Capacity ratings apply to properly installed anchors only.

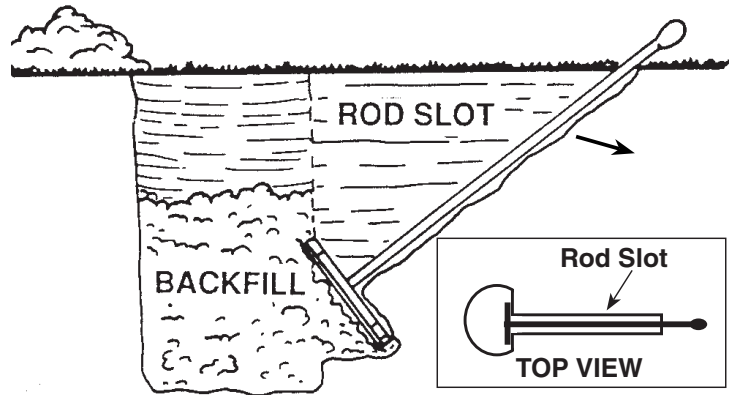
Failure to install within 5° of alignment with the guy load will significantly lower strength.

CROSS-PLATE ANCHOR

For Hand or Machine Installation

The Cross-Plate anchor is made for installation in holes drilled by power diggers. Because the size of the hole does not affect holding capacity, the hole can be dug by the same auger that is used to dig the pole holes on transmission projects.

Cross-Plate anchors are installed in a diagonal bored hole which is undercut so the anchor is at right angles to the guy. A rod trench is either cut with a trenching tool or drilled with a small power auger. Both anchor and rod trench should be refilled and tamped.



Application And Ordering Information

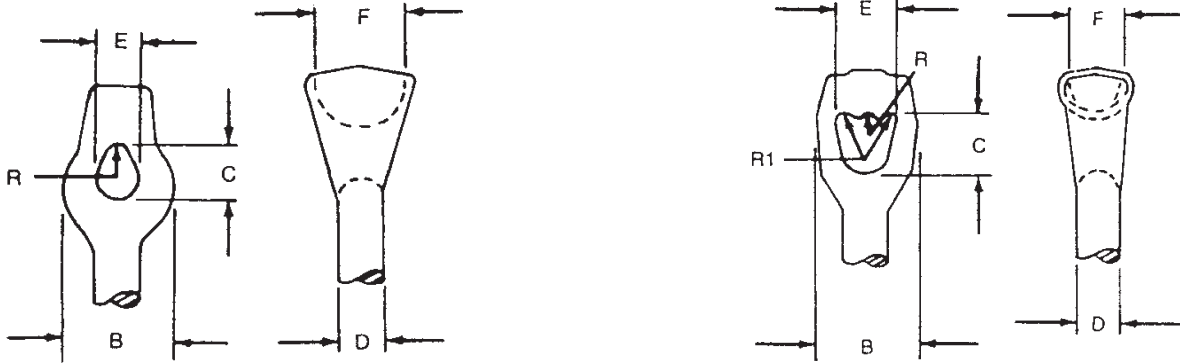
Catalog Number	Hole Size	Area Sq. In.	Rod Size (Order Separately)	Holding Capacity† - (lbs.) (No Safety Factors Included) vs Soil Class				
				Class 3	Class 4	Class 5	Class 6	Class 7
X16USA	16"	150	5/8", 3/4"	26500‡	22500‡	18500‡	14500	9500
X20USA	20"	250	5/8", 3/4"	34000‡	29000‡	24000‡	19000‡	14000
X201USA	20"	250	1"	34000	29000	24000	19000	14000
X2434USA*	24"	400	5/8", 3/4"	45000‡	37000‡	30000‡	23500‡	18000‡
X24USA†	24"	400	1"	45000‡	37000‡	30000	23500	18000
X241USA†	24"	400	1 1/4"	45000	37000	30000	23500	18000

Holding capacities are ultimate values. An appropriate factor of safety should be used to determine the allowable or service load. Hubbell Power Systems, Inc. recommends a factor of safety of at least 2 for permanent structures

For Class 3, 4, 5, and 6 soils, the depth required to achieve the holding capacities listed in the table is 5 vertical feet to the center of the plate. For Class 7 soils, the depth required is 7 vertical feet to the center of the plate.

RODS, ANCHOR, GALVANIZED

Available for one, two, or three guys for use with expanding and cross-plate anchors. Thimbleye®, Twineye® and Tripleye® rods distribute pulling stresses uniformly over individual strands of guy wire and keep the guy wire from spreading, kinking, or bending. The drop-forged eye of each anchor rod is stronger than the rod itself. Rod length and diameter are stamped below each rod eye. Each rod is threaded 3-1/2" minimum length. Nuts included.

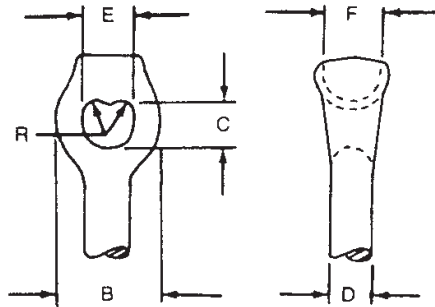


Thimbleye® Adapter

D	*R	B	C	E	F
1/2"	3/16"	1 1/4"	9/16"	1/2"	1 1/4"
5/8"	1/4"	1 1/2"	1 1/16"	9/16"	1 3/8"
3/4"	9/32"	1 5/8"	1 3/16"	1 1/16"	1 1/2"
1"	1 3/32"	2 1/16"	1 1/8"	1 5/16"	1 5/8"

Tripleye® Adapter

D	*R	*R1	B	C	E	F
3/4"	1/4"	7/32"	2 1/2"	1 1/16"	1 1/2"	1 1/4"
1"	1/4"	7/32"	2 9/16"	1 1/16"	1 5/8"	1 1/2"
1 1/4"	9/32"	1/4"	2 7/8"	1 1/16"	1 1/16"	1 5/8"

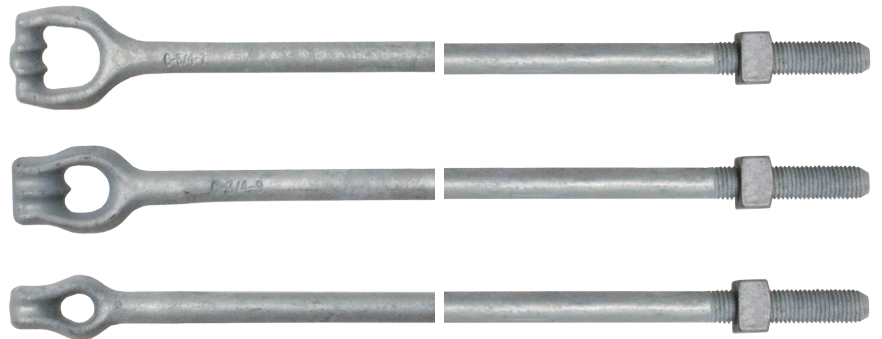


Twineye® Adapter

D	*R	B	C	E	F
5/8"	7/32"	1 3/4"	7/8"	1 5/16"	1 1/4"
3/4"	1/4"	2"	1"	1 1/16"	1 3/8"
1"	5/16"	2 5/8"	1 3/16"	1 5/16"	1 1/2"
1 1/4"	3/8"	2 15/16"	1 1/4"	1 9/16"	1 5/8"

RODS, ANCHOR, GALVANIZED

Tensile Strength		
Rod Size, in.	Strength, lb.	Nut Part No.
5/8	16,000	55006PUSA
3/4	23,000	55312PUSA
1	36,000	55320PUSA
1 1/4	58,000	56001PUSA



Anchor Rods			
Catalog Number			Size
Thimbleye® Adapter	Twineye® Adapter	Tripleye® Adapter	
5315USA	—	—	5/8" x 5'
5316USA	5346USA	—	5/8" x 6'
5317USA	*5347USA	—	5/8" x 7'
5318USA	*5348USA	—	5/8" x 8'
5326USA	*5356USA	—	3/4" x 6'
5327USA	*5357USA	*7557USA	3/4" x 7'
5328USA	*5358USA	7558USA	3/4" x 8'
—	*5359USA	7559USA	3/4" x 9'
—	5360USA	—	3/4" x 10'
5338USA	*5368USA	7568USA	1" x 8'
—	5369USA	—	1" x 9'
5340USA	*5370USA	7570USA	1" x 10'
—	—	C2000028USA	1 1/4" x 8'
—	15129USA	7574USA	1 1/4" x 10'

*IEEE Standard

**Ultimate strength ratings apply to properly installed anchors only. Failure to install within 5° of alignment with the guy load will significantly lower strength.

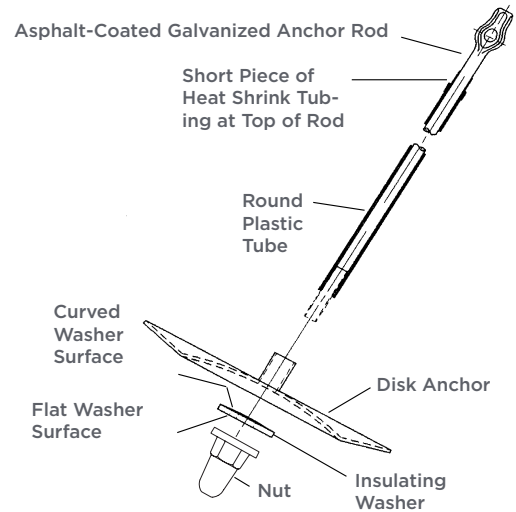
CORROSION-RESISTANT ANCHOR

Chance design offers many advantages

Four different sizes are available with holding capacity as high as 40,000 pounds.

Chance “Bust” Expanding Anchors expand to take full advantage of the available area. All eight blades wedge into undisturbed earth...there is no wasted space between blades.

This anchor should be installed in relatively dry and solid soils. The effectiveness of the anchor is dependent upon the thoroughness of backfill tamping.



Corrosion-Resistant Anchor

Catalog Number	Description	Hole Size	Fits Protected Rod Size	Holding Capacity† - (lbs.) (No Safety Factors Included) vs Soil Class				
				Class 3 500-600 in-lb	Class 4 400-500 in-lb	Class 5 300-400 in-lb	Class 6 200-300 in-lb	Class 7 100-200 in-lb
C1022008USA	16" Anchor .187" Thick	16"	¾"	31000‡	26500‡	21000	16500	12000
C1022009USA	16" Anchor .187" Thick	16"	1"	31000‡	26500	21000	16500	12000
C1022011USA	20" Anchor .187" Thick	20"	1"	40000‡	34000	26000	21500	16000
C1022012USA	20" Anchor .250" Thick	20"	1"	40000‡	34000	26000	21500	16000
C1022054USA	24" Anchor .187" Thick	24"	1"	50000‡	41000‡	33500	26000	20000
C1022050USA	24" Anchor .250" Thick	24"	1"	50000‡	41000‡	33500	26000	20000
C1022381USA	30" Anchor .375" Thick	30"	1¼"	78100‡	64000‡	52300	40600	31200

†Ultimate strength of rod may limit holding capacity.

Note: Capacity ratings apply to properly installed anchors only.

Failure to install within 5° of alignment with the guy load will significantly lower strength.

CORROSION-RESISTANT ANCHOR



Fiber-Reinforced Washer		Cap Nut	
Catalog No.	Fits Rod Size	Catalog No.	Fits Rod Size
C2100033USA	3/4"	C2050407USA	3/4"
C2100034USA	1"	C2050408USA	1"
C2100050USA	1 1/4"	C2050590USA	1 1/4"

Protected Rod for Corrosion-Resistant Anchor

These rods include fiber-reinforced washer and heavy-forged cap nut. Nut is attached to rod. Washer is shipped separately in a box. Galvanized Rod meets NEMA specification PH2 plus has asphalt coating, polyethylene tube and heat shrink collar.

Rod Size	Rod Tensile Strength, lb.	Thimbleye® Adapter	Twineye® Adapter	Tripleye® Adapter
		Catalog No.	Catalog No.	Catalog No.
3/4" x 6"	23,000	Catalog No.	C2000053AWUSA	—
3/4" x 7'	23,000	C2000049AWUSA	C2000054AWUSA	—
3/4" x 8'	23,000	—	C2000055AWUSA	C2000061AWUSA
3/4" x 9'	23,000	C2000050AWUSA	C2000056AWUSA	C2000062AWUSA
3/4" x 10'	23,000	—	C2000057AWUSA	—
1" x 6'	36,000	—	—	—
1" x 7'	36,000	C2000051AWUSA	C2000114AWUSA	—
1" x 8'	36,000	—	C2000108AWUSA	C2000063AWUSA
1" x 9'	36,000	C2000052AWUSA	C2000058AWUSA	—
1" x 10'	36,000	—	C2000059AWUSA	C2000064AWUSA
1 1/4" x 10'	58,000	—	C20000141USA	—
1 1/4" x 15'	58,000	—	—	C2000140USA

NOTE: Because Hubbell has a policy of continuous product improvement, we reserve the right to change design and specifications without notice.

©Copyright 2018 Hubbell Incorporated

Printed in USA | www.hubbellpowersystems.com | CA06103E

