



ARRAN X LED LUMINAIRE

..... *The Next Generation in Hazardous Area LED Lighting*



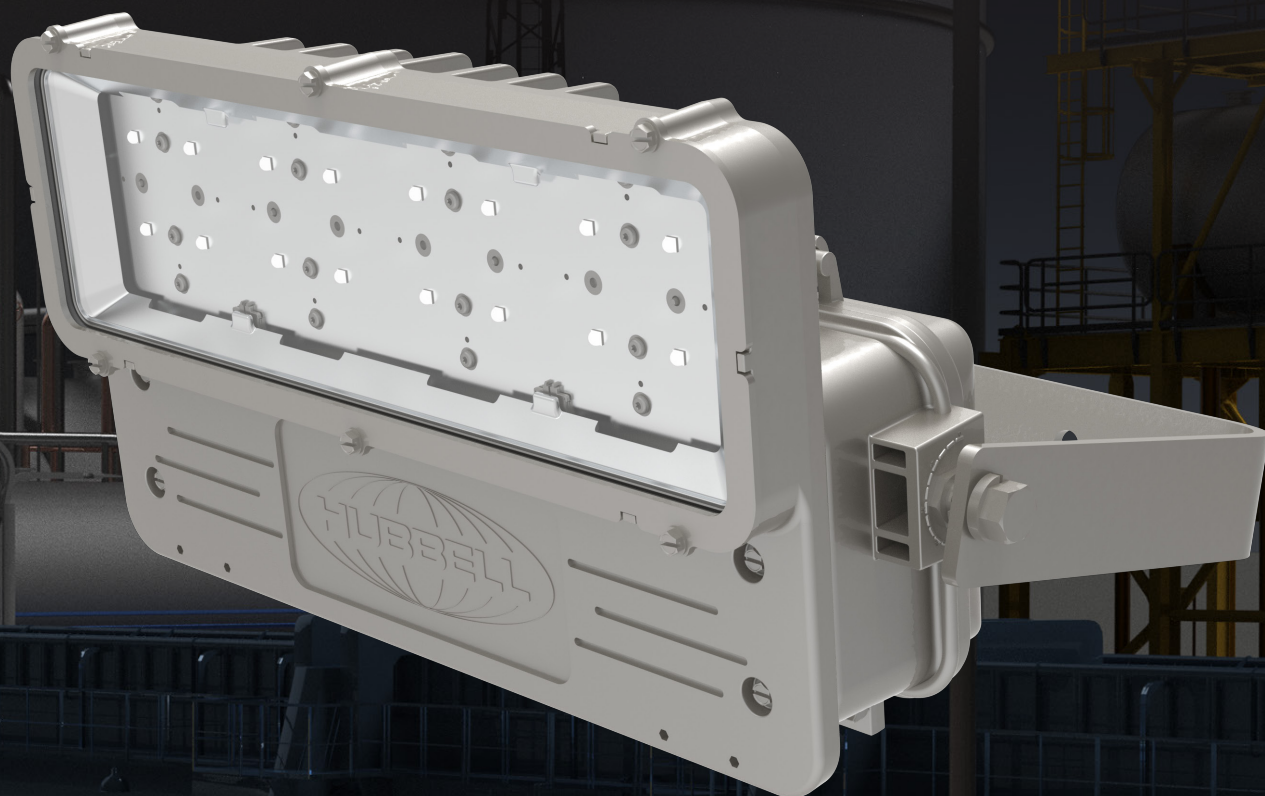


ARRAN X



Follow us

Meet our latest revolutionary LED Floodlight, the **Arran X**



The latest in our X Series luminaires, the Arran X floodlight offers durable design, high output and the opportunity of long term cost savings.

Delivering unprecedented light quality and clarity, the Arran X is an energy efficient floodlight, housed in a robust aluminium body.

Designed for Ex, Zone 2, Zone 21 and Industrial areas, the Arran X is especially suitable for marine locations and high ambient areas.

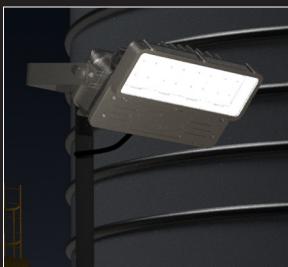
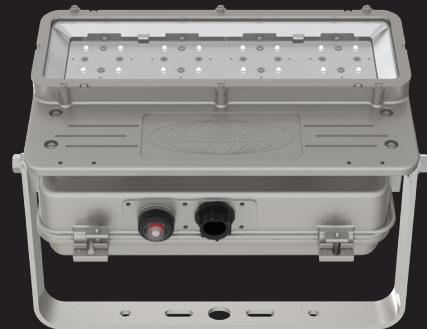


Great Design and Functionality

The Arran X LED Floodlight continues in Chalmit's long tradition of exceptional quality products and functionality. Constructed from marine grade copper-free aluminium, the product can withstand the harshest of environments and is certified to both Zone 2/21 and Industrial standards. The clamshell housing design and swing barrel-nut latch provide quick and unimpeded access to the wire termination area making for very fast and easy installation.

The Arran X also has the option of an intelligent battery back-up with self-monitoring and testing function, giving the added assurance of an ever ready and reliable product.

Easy Installation
Energy Saving
Lightweight Design



Mounting Options

The Arran X is a versatile product in both application and installation. Achieve reliable crisp white light in any location exactly where you need illumination in the following mounting options:

Floodlight • High Bay • Pole/Column

ARRANX



Reduced Costs & Extended Lifetime

The Arran X offers energy savings and high delivered lumen packages, and with the robust design and a system life 100,000 hours makes this a light fitting you can depend on.

One of the longest life floodlight products on the market, this makes for a great choice for long term and economical lighting in many environments such as offshore applications.

➤ Product Features

- Energy Efficient and Lightweight 11.3kg
- Easy to install with clamshell splice box
- Intelligent battery backup with built in self test/monitoring
- Front Access Cover with screwless mains terminals
- Spot, Wide and Perimeter optic options available

Find Out More

Visit www.hubbell.com/chalmit/en/Arran-X

UK/Europe/Africa +44 (0) 141 810 9644

Asia/Middle East +44 (0) 141 810 9666

Americas +1 (314) 531 0460



ARRAN X

Ex ec LED Floodlight

The **Arran X** is a new, revolutionary, energy efficient floodlight designed to withstand the most hazardous environments, without sacrificing light quality, durability, or safety. With a robust clamshell design, including a captive swing barrel latch, that offers complete and unimpeded access to the wiring chamber, which allows for a quick and easy installation. Multiple optic types are also available, so that light distribution can be tailored to application need.

Intelligent battery backup is also available as an option which includes Self-Testing feature which runs a 30 second test every 30 days and a 90 or 180 minute test every twelve months. Bi-coloured LED indicator provides a visual fault detection and charging status. With a greater range of output and optic options the **Arran X** offers a complete package for all Zone 2 floodlight applications.



Mounting Options

Floodlight. Pole/Column. High Bay

Standard Specification

Arran X Ex ec LED Floodlight

Type of Protection	Ex ec (Increased Safety) Ex tb (Dust Protected Enclosure)
ATEX Classification	Group II Category 3 G Group II Category 2 D
Area Classification	Zone 2 and 21 areas to EN 60079-10-1 and EN 60079-10-2 with installation to EN60079-14
Certificate	Type Examination Certificate Presafe QPS 21 ATEX 7002X EU Type Examination Certificate Presafe QPS 21 ATEX 5004X IECEX Certificate of Conformity IECEX QPS 19.0031X
Coding	Ex ec IIC T5/T4/T3 Gc, Ex tb IIIC T100°C/T135°C/T160°C Db, IP66 Refer to table for T Rating and Ambient
Enclosure	Marine grade Copper-Free Aluminium body with standard glass diffuser. Epoxy powder finish (Grey)
Geartray	Aluminium
Entry	2 x M20 cable entries
Termination	3 core 6mm ² max. conductor with looping
Installation	Stirrup mounting bracket
Control Gear	Electronic Driver
Optical Distribution	Wide beam
Colour Temperature (CCT)	5000K (Cool White)
Colour Rendering Index (Ra)	>70
Maintenance	Easy Install with clamshell splice box for unimpeded wiring access. Slotted screws
LED Lifetime @ 60°C Ambient	L70 > 96800hrs
System Life @ Ambient	100,000hrs @ 25°C; [excluding battery]
Battery	Lithium Iron Phosphate
Emergency Duration	1000 lumens for 90 minutes or 500 lumens for 3 hours
Impact Protection	IK10
Ingress Protection	IP66
Surge Protection	6kV & 4kV for 30L
Electrical Supply	120-277V AC 50/60Hz

Features

- ◆ **Easy Install** with clamshell splice box for unimpeded wiring access
- ◆ **Front access cover** with screwless mains terminals for easy termination.
- ◆ **Optics options** including Asymmetric, Narrow and Extra Wide
- ◆ **Intelligent battery backup** with built in self-monitoring and testing
- ◆ **Light weight** at 11.3kg

Std. Cat No.	Delivered Output	Power Consumption	T class	T°C (Dust)	Ambient °C	Weight
ARXC/07L/LE	7407 lm	63W	T5	100	-50 to +40	11.3kg
			T4	135	'-50 to +55	
			T3	160	'-50 to +65	
ARXC/10L/LE	10264 lm	91W	T5	100	-50 to +40	11.3kg
			T4	135	'-50 to +55	
			T3	160	'-50 to +65	
ARXC/14L/LE	14133 lm	118W	T5	100	-50 to +40	11.3kg
			T4	135	'-50 to +55	
			T3	160	'-50 to +65	
ARXC/20L/LE	18954 lm	178W	T4	135	-50 to +40	11.3kg
			T3	160	'-50 to +55	
ARXC/30L/LE	28423 lm	269W	T4	135	-50 to +40	11.3kg
			T3	160	'-50 to +55	
ARXC/07L/LE/EM	7407 lm	63W	T5	100	-20 to +40	12.03kg
			T4	135	'-20 to +50	
ARXC/14L/LE/EM	14133 lm	118W	T5	100	-20 to +40	12.03kg
			T4	135	'-20 to +50	

Standard fitting supplied without optics with a wide beam distribution

ARXC/07L/LE/EM 1000 lumens 90 minute emergency duration

ARXC/14L/LE/EM 1000 lumens 90 minute emergency duration

Glass lens as standard

Intelligent Battery Backup

- Self-diagnostics monitors LED luminaire status
- Self-Test feature automatically runs a 1 month and bi-yearly functional test
- LED indicator provides visible fault detection and charging status
- User initiated 1, or 90-minute system test feature
- 15 minute re-transfer delay
- Automatic unit transfer when there is an unintentional drop in voltage. (below 80% of nominal AC input voltage)

Options - Suffix to Catalogue No.

/M25	M25 cable entries	/3H	3 hour battery duration (500 lumens)
/AS	Asymmetric distribution	/3K	3000K (Warm White) LEDs
/N	Narrow Beam distribution	/ADE	Amber LED Turtle friendly*
/X	Extra Wide Beam distribution	/DM	DALI Dimmable driver**

* only available with the 14L and 30L options

** Available up to the 20L option

Optics are not available on the 30L fitting

Accessories *order separately*

	Order Code
Wire Guard 316 Stainless Steel (not used with KFLX-DARK)	KFLX-GUARD
Anti Glare Shield Visor that blocks upward light when mounting at angles above 45° (not used with KFLX-GUARD)	KFLX-DARK
Pole Mounting Bracket Assembly (48-70mm Pole Diameter)	S2400-0002



ARRAN X

LED Floodlight

The **Arran X** is a new, revolutionary, energy efficient floodlight designed to withstand the most industrial harsh environments, without sacrificing light quality, durability, or safety. With a robust clamshell design, including a captive swing barrel latch, that offers complete and unimpeded access to the wiring chamber, which allows for a quick and easy installation. Multiple optic types are also available, so that light distribution can be tailored to application need.

Intelligent battery backup is also available as an option which includes Self-Testing feature which runs a 30 second test every 30 days and a 90 or 180 minute test every twelve months. Bi-coloured LED indicator provides a visual fault detection and charging status. With a greater range of output and optic options the Arran X offers a complete package for all Industrial floodlight applications.



Mounting Options

Floodlight. Pole/Column. High Bay

Standard Specification

Arran X LED Floodlight

Enclosure	Marine grade Copper-Free Aluminium body with standard glass diffuser. Epoxy powder finish (Grey)
Entry	2 x M20 cable entries
Termination	3 core 6mm ² max. conductor with looping
Installation	Stirrup mounting bracket
Control Gear	Electronic Driver
Colour Temperature (CCT)	5000K (Cool White)
Colour Rendering Index (Ra)	>70
Maintenance	Easy Install with clamshell splice box for unimpeded wiring access. Slotted screws
Ingress Protection	IP66
Surge Protection	6kV & 4kV for 30L
Electrical Supply	120-277V AC 50/60Hz

Features

- ◆ **Easy Install** with clamshell splice box for unimpeded wiring access
- ◆ **Front access cover** with screwless mains terminals for easy termination.
- ◆ **Optics options** including Asymmetric, Narrow and Extra Wide
- ◆ **Intelligent battery backup** with built in self-monitoring and testing
- ◆ **Light weight** at 11.3kg

Std. Cat No.	Delivered Output	Power Consumption	Ambient °C	Weight
ARXI/07L/LE	7407 lm	63W	-50 to +55	11.3kg
ARXI/10L/LE	10264 lm	91W	-50 to +55	11.3kg
ARXI/14L/LE	14133 lm	118W	-50 to +55	11.3kg
ARXI/20L/LE	18954 lm	178W	-50 to +55	11.3kg
ARXI/30L/LE	28423 lm	269W	-50 to +55	11.3kg
ARXI/07L/LE/EM	7407 lm	63W	-20 to +50	12.03kg
ARXI/14L/LE/EM	14133 lm	118W	-20 to +50	12.03kg

Standard fitting supplied without optics with a wide beam distribution

ARXI/07L/LE/EM 1000 lumens 90 minute emergency duration

ARXI/14L/LE/EM 1000 lumens 90 minute emergency duration

Glass lens as standard

Intelligent Battery Backup

- Self-diagnostics monitors LED luminaire status
- Self-Test feature automatically runs a 1 month and bi-yearly functional test
- LED indicator provides visible fault detection and charging status
- User initiated 1, or 90-minute system test feature
- 15 minute re-transfer delay
- Automatic unit transfer when there is an unintentional drop in voltage. (below 80% of nominal AC input voltage)

Options - Suffix to Catalogue No.

/M25	M25 cable entries	/3H	3 hour battery duration (500 lumens)
/AS	Asymmetric distribution	/3K	3000K (Warm White) LEDs
/N	Narrow Beam distribution	/ADE	Amber LED Turtle friendly*
/X	Extra Wide Beam distribution	/DM	DALI Dimmable driver**

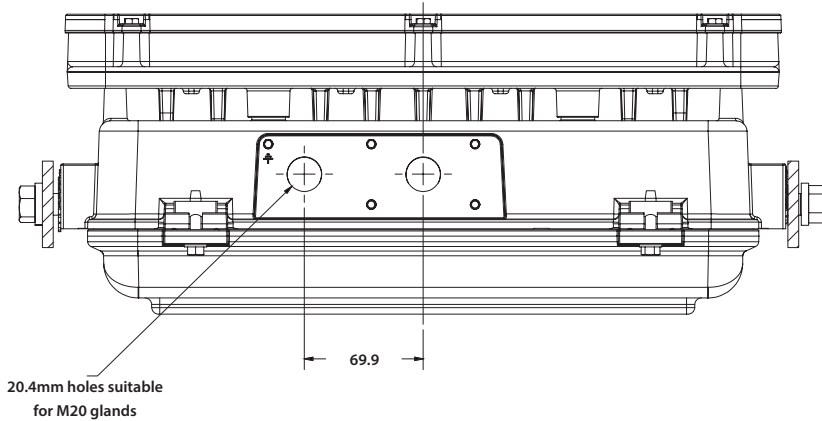
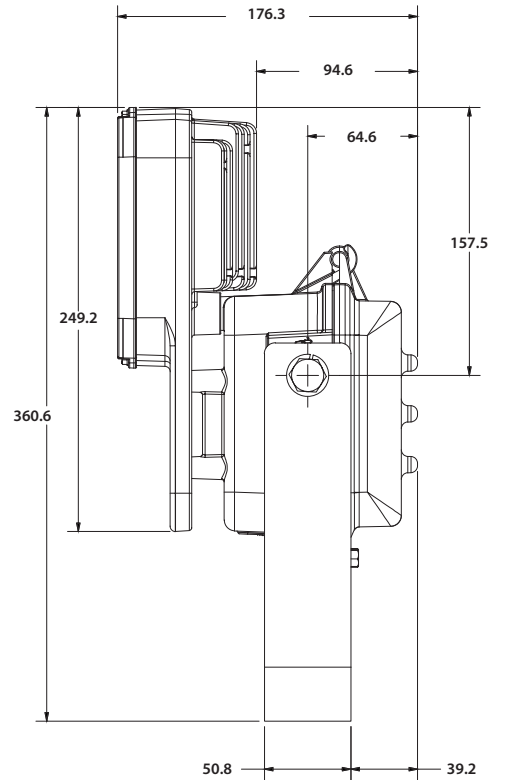
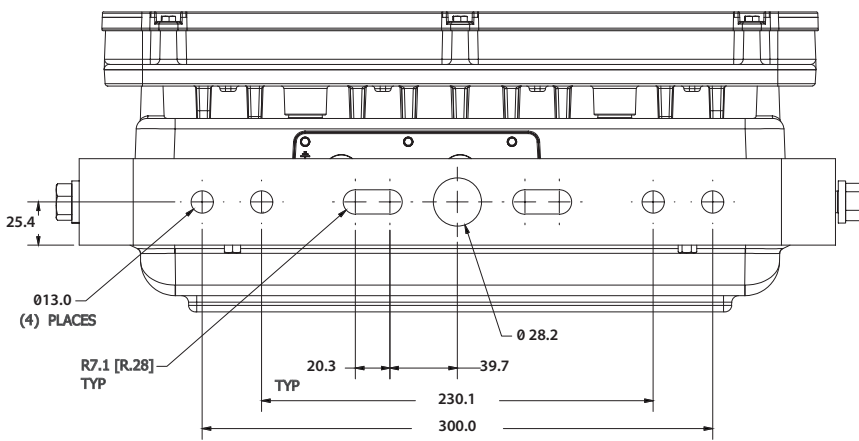
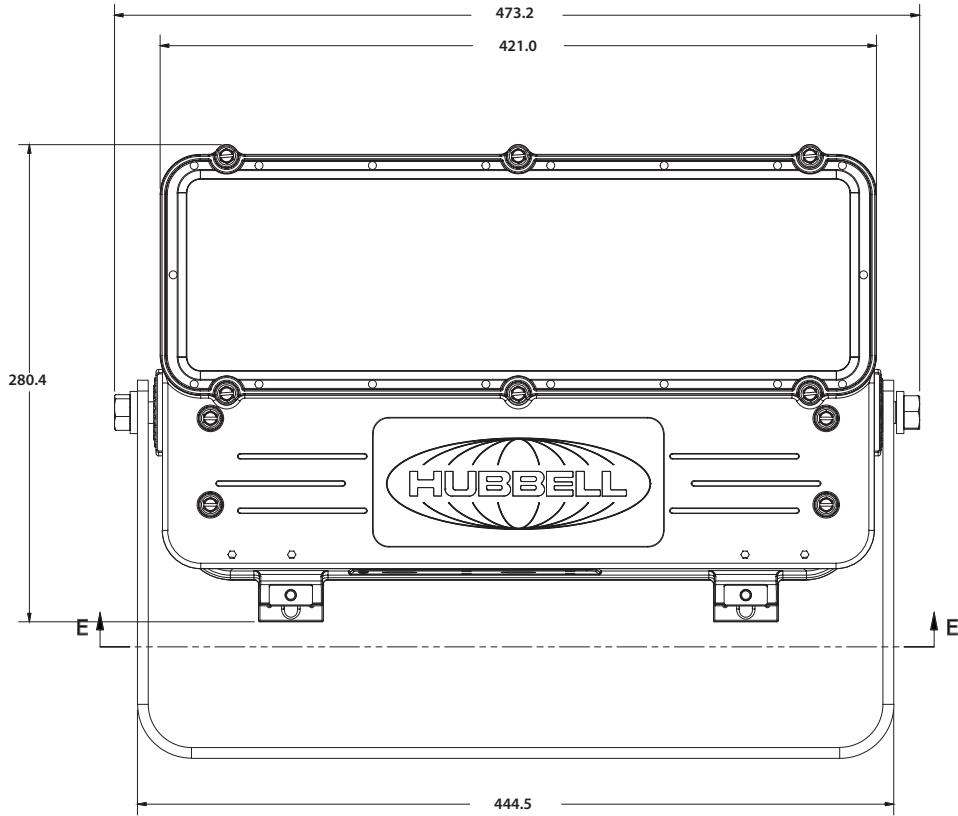
* only available with the 14L and 30L options

** Available up to the 20L option

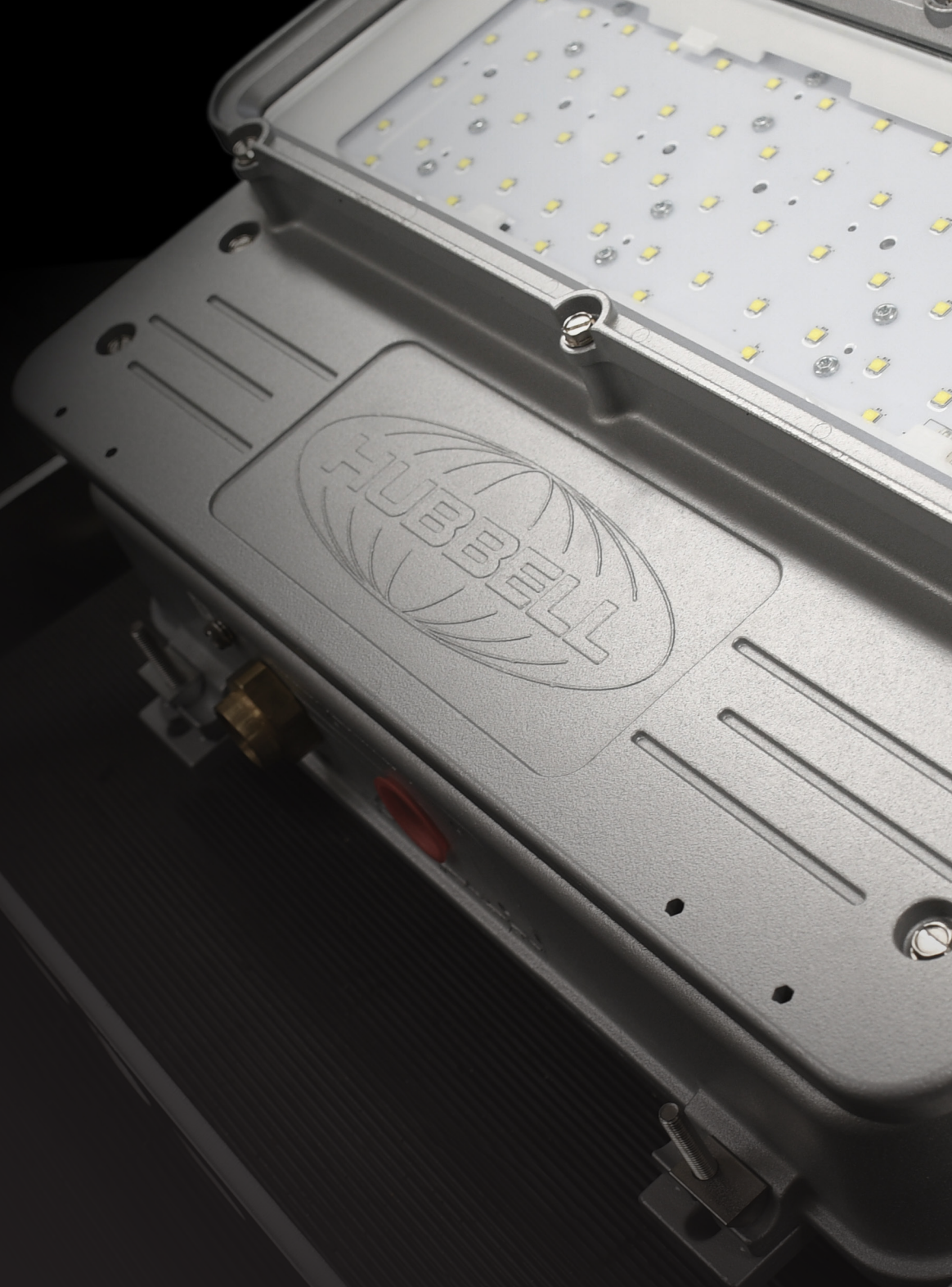
Optics are not available on the 30L fitting

Accessories order separately

	Order Code
Wire Guard 316 Stainless Steel (not used with KFLX-DARK)	KFLX-GUARD
Anti Glare Shield Visor that blocks upward light when mounting at angles above 45° (not used with KFLX-GUARD)	KFLX-DARK
Pole Mounting Bracket Assembly (48-70mm Pole Diameter)	S2400-0002



ARRAN X



For a truly interactive introduction to our revolutionary **Arran X** floodlight visit www.hubbell.com/chalmit/en/Arran-X

Our Complete Range of **X Series** Products

A DEDICATED ENERGY SAVING LED LUMINAIRE FOR EVERY APPLICATION



Protecta **X**

ZONE 1 and Industrial Linear LED



Evolution **X**

ZONE 1 LED Floodlight



Arran **X**

ZONE 2 and Industrial LED Floodlight

Safety, reliability, ease of installation and maintenance is at the heart of our X Series design philosophy. We utilise the latest LED chip technology, to enable us to guarantee optimum light output performance and increased service life. We understand the challenges of extreme environments and constantly push boundaries to provide real and innovative solutions.

Providing three market leading products presently, with developments underway to add further options coming very soon. **Be the first to know about our latest X Series innovations at www.chalmit.com**

THE X SERIES HAS EVOLVED



X SERIES

Chalmit® **ARRAN X**

United Kingdom

Chalmit 388 Hillington Road Glasgow G52 4BL UK
Tel: +44 (0) 141 810 9644 Email: hhsales1@hubbell.com
Tel: +44 (0) 141 810 9666 Email: hhsales2@hubbell.com

Americas

Killark Electric, 2112 Fenton Logistics Park Blvd
Fenton, MO 63026
Tel: +1 (314) 531 0460 Email: killarkinfo@hubbell.com

Middle East

Building No. 5EA, Office No. G03
Dubai Airport Free Zone (DAFZ) PO Box 23529 Dubai UAE
Tel: +971 (0)4 609 1222 Email: middle-east@chalmit.com

Asia Pacific

130 Joo Seng Road #03-02 Olivine Building Singapore 368357
Tel: +65 6282 2242 Email: asia-pacific@chalmit.com

Korea

512 Hyosung Intellian 6813 Deungchon Dong
Kangseo-Ku Seoul 157-030 Korea
Tel: +82 2 2063 3719 Email: korea@chalmit.com

China

Room H/1 18F No. 728 Pudong Avenue
Shanghai International Ocean and Finance Building
Shanghai 200120 P.R. China
Tel: (86 21) 3392 6550 ext. 318 Email: china@chalmit.com