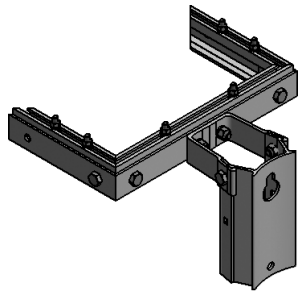


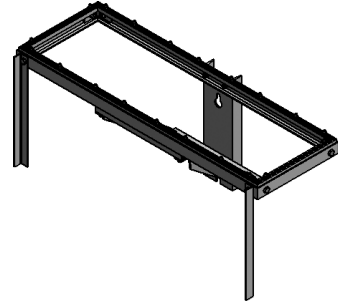
POLE MOUNTED CAPACITOR RACKS



BACPMR1



BACPMR3



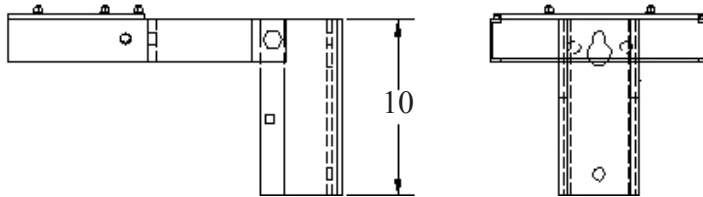
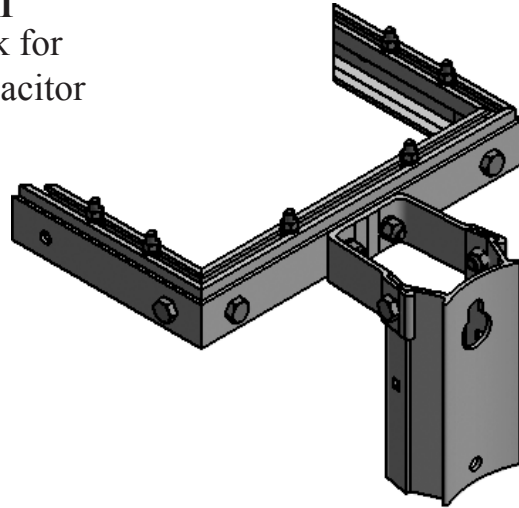
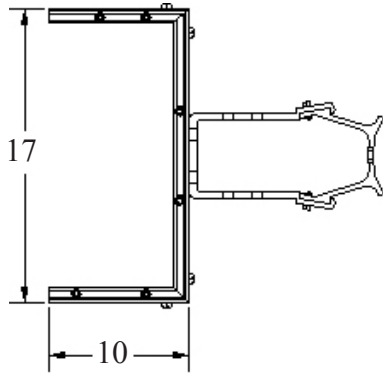
BACPMR6

Catalog Number	Description
BACPMR1	For mounting single capacitor.
BACPMR3	For mounting up to 3 capacitors in line.
BACPMR3/4	For mounting up to 3 or 4 capacitors in line.
BACPMR6	For mounting up to 6 capacitors in line.
BACPMR9	For mounting up to 9 capacitors on pole.
BACPMR9-12	For mounting 9 to twelve (12) capacitors on pole.
BAOSJB	Mounting bracket for oil switches and junction box.
BAOSMB	Mounting bracket for oil switches. Comes with two galvanized 3/8" bolts and two 1/2" bolts.

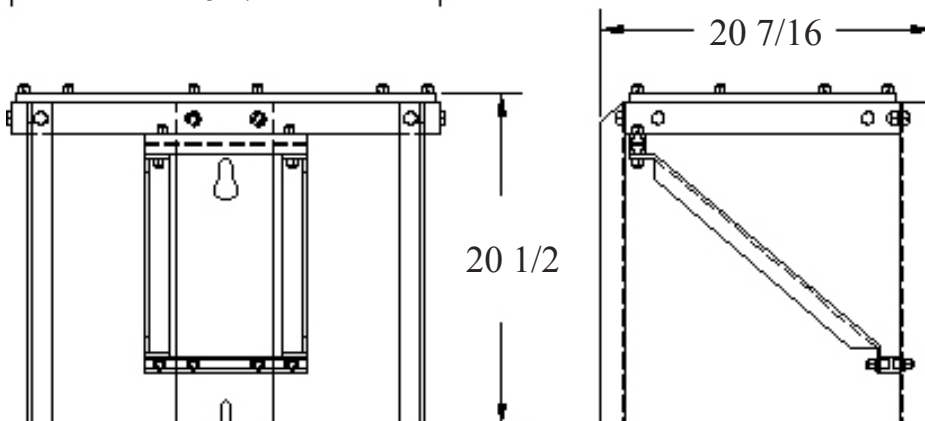
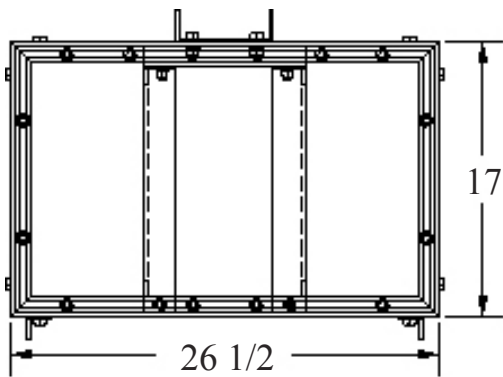
- Aluminum Capacitor Racks are constructed of 2 inch web channel and a T-slot (for 3/8" hot dipped galvanized steel bolts, supplied) combined in one complete extrusion.
- All have a connector for #6, soft copper (standard).
- The racks have 6" aluminum channel bolted to it for strength. Channel is pre-punched with keyholes for 3/4" thru-bolts (bolts not provided) for pole mounting.
- Racks come with two (2) mounting angle legs for stability while assembling capacitors on the ground which fold up when pole mounted.

POLE MOUNTED CAPACITOR RACKS

BACPMR1
Capacitor rack for
mounting 1 capacitor



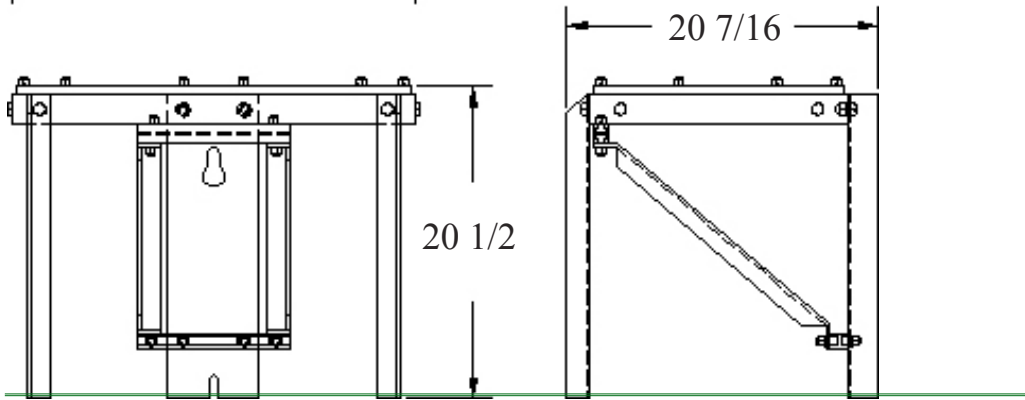
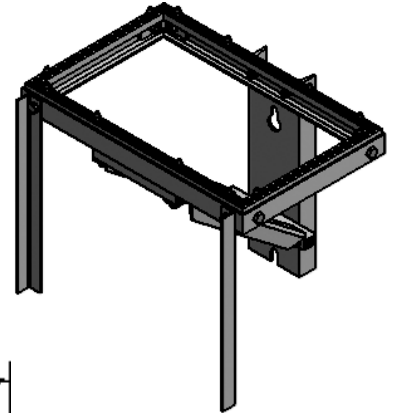
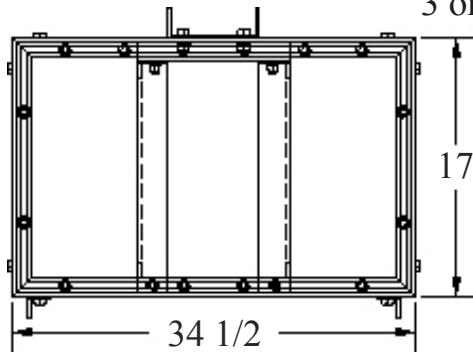
BACPMR3
Capacitor Rack for Mounting
3 Capacitors in Line



POLE MOUNTED CAPACITOR RACKS

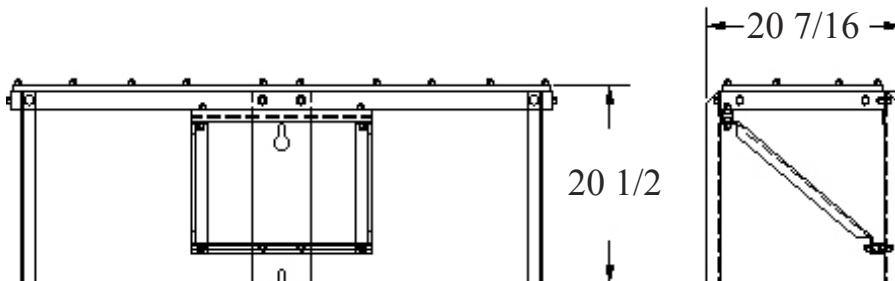
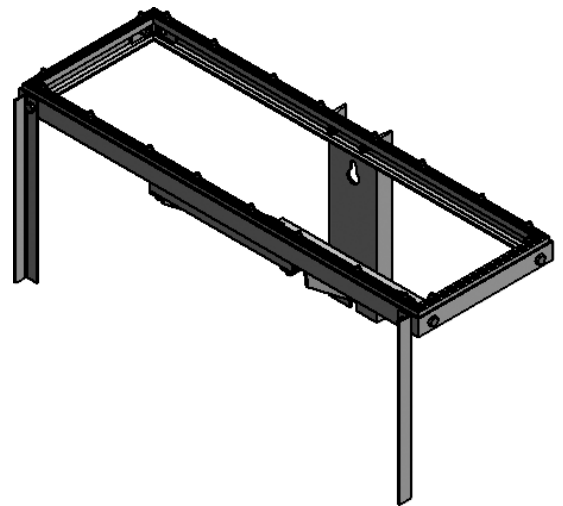
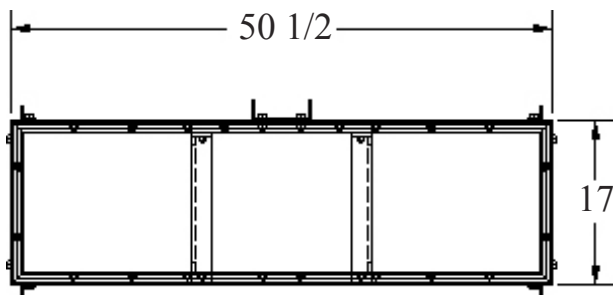
BACPMR3/4

Capacitor Rack for Mounting
3 or 4 Capacitors in Line



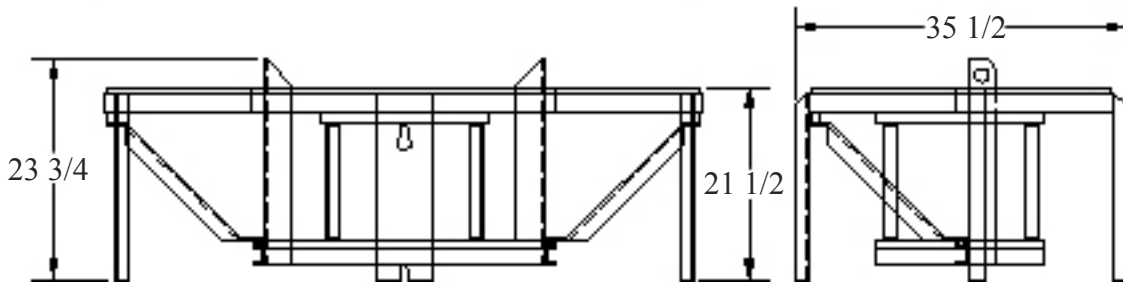
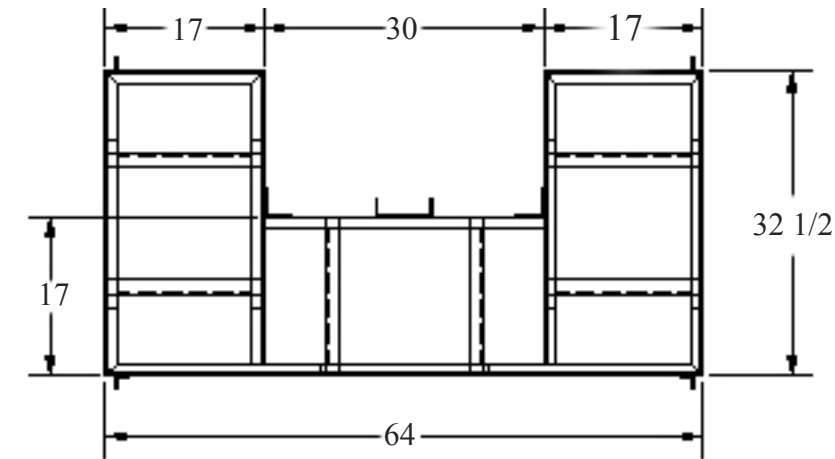
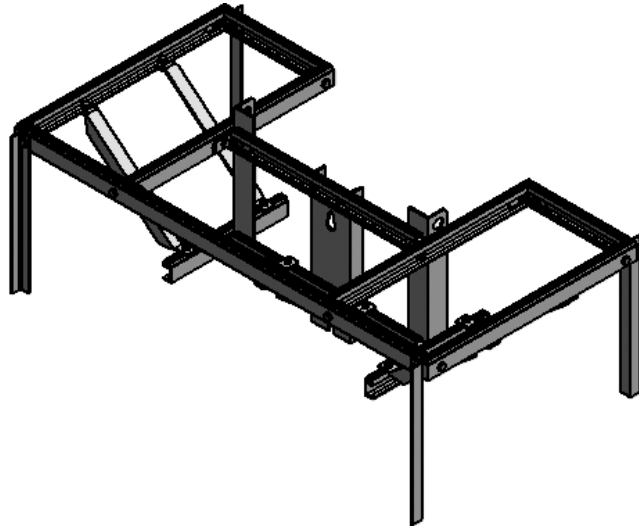
BACPMR6

Capacitor Rack for Mounting
6 Capacitors in Line



POLE MOUNTED CAPACITOR RACKS

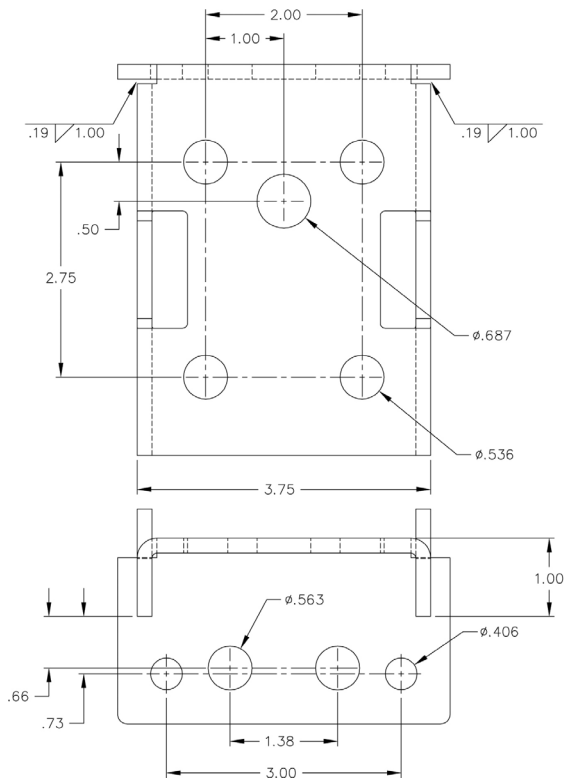
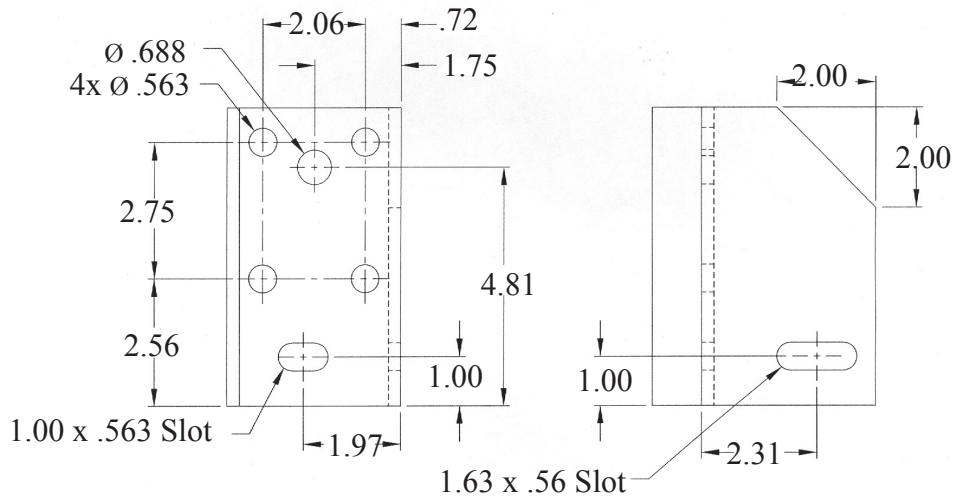
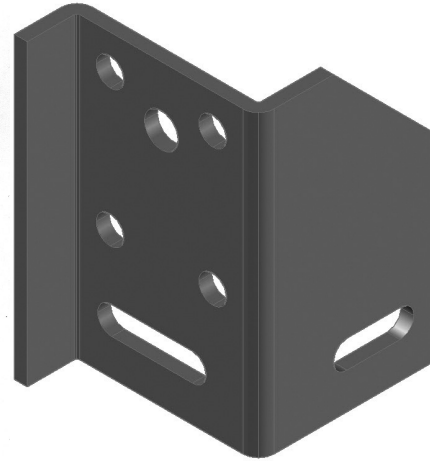
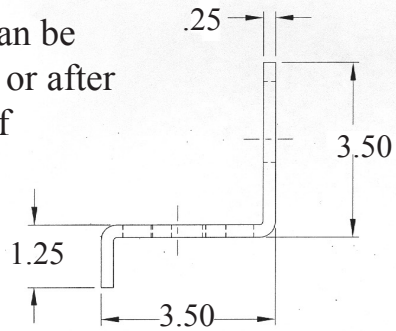
BACPMR9-12
Capacitor Rack for Mounting
12 Capacitors



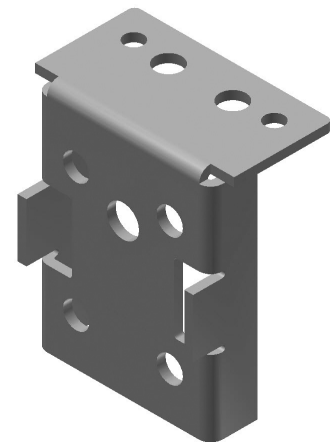
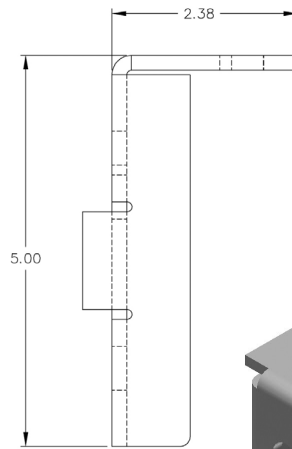
OIL SWITCH MOUNTING BRACKET

BAOSJB

Both styles can be added before or after installation of capacitors.

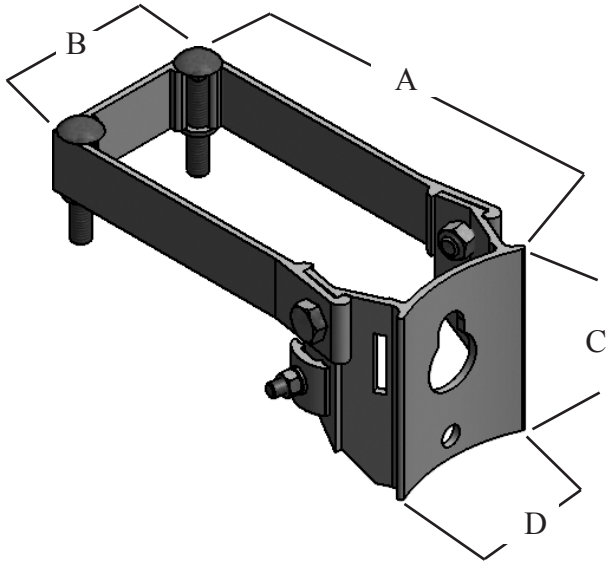


BAOSMB



DISTRIBUTION SINGLE-PHASE BRACKETS

For Mounting Cutouts, Arrestors, and Potheads

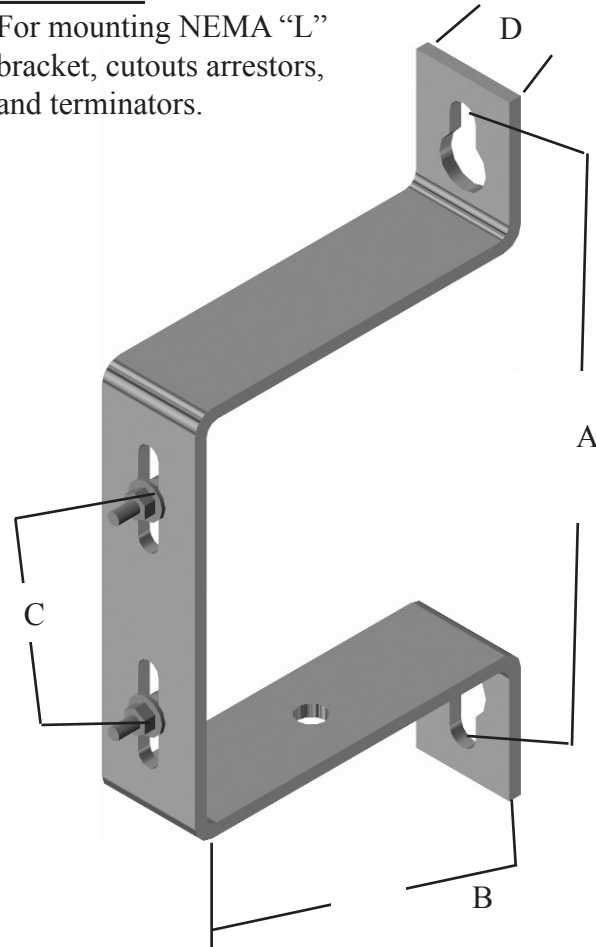


BTB-1PA

Supplied with equipment mounting bolts, nuts, and lock washers (1/2 - 13x2).

BACA-712

For mounting NEMA “L” bracket, cutouts arrestors, and terminators.



Catalog Number	A	B	C	D	Weight
BTB-1PA	12"	4.75"	5"	4"	2.5 lbs
BACA-712	12"	7"	3.5"	2"	1.25 lbs

- Brackets are made for mounting to pole with 5/8" thru-bolt and 1/2" lag screw (not supplied).
- Mounting bolts, nuts, and lock washers are hot dip galvanized.

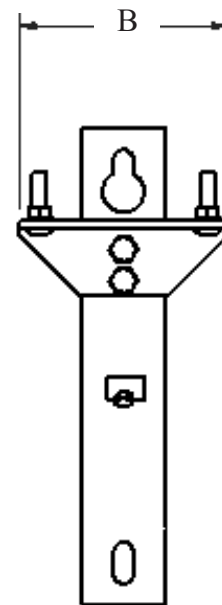
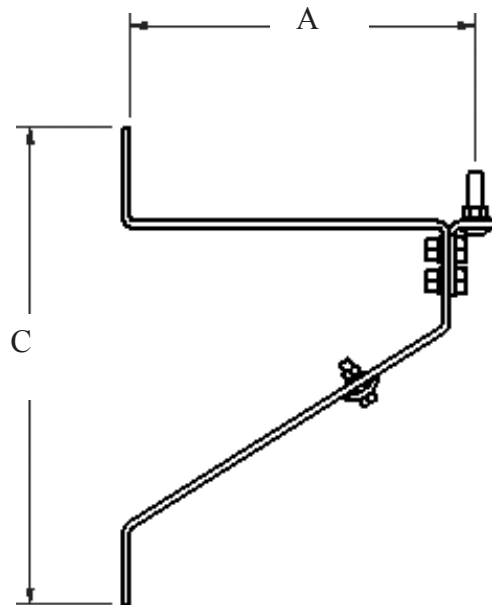
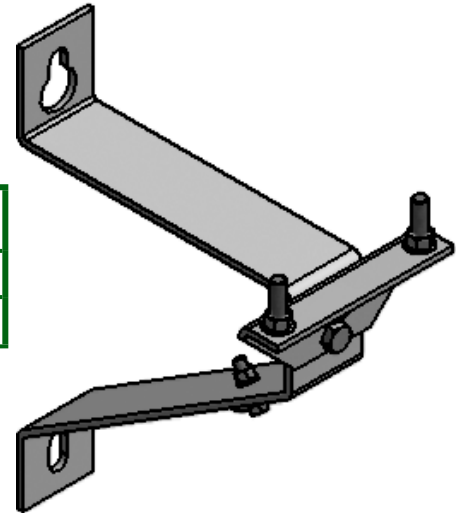
DISTRIBUTION SINGLE-PHASE BRACKETS

For Mounting Two Pieces of Equipment Cutouts, Arrestors, and Potheads

- Supplied with mounting bolts, nuts, and lock washers (1/2 x 2)
- Bracket made for mounting to pole with 5/8" thru-bolts (not supplied).
- Mounting bolts, nuts, and lock washers are hot dip galvanized.

RUS Approved

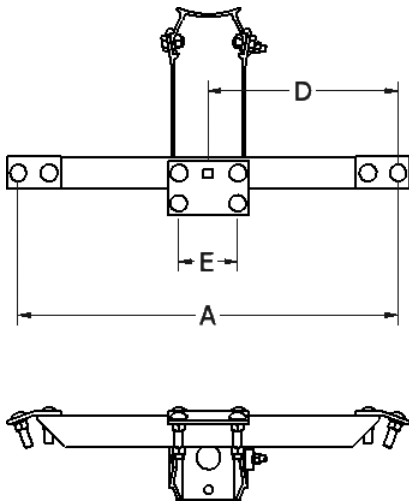
Catalog Number	A	B	C	Std. Pkg.
BACA 126	12"	6"	17"	10
BACA 1710	17"	10"	17"	5



DISTRIBUTION THREE-PHASE BRACKETS

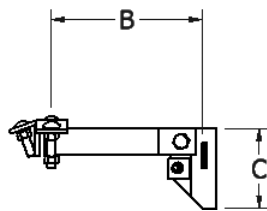
For Mounting 3 or 6 Pieces of Equipment Pothead, Arrestors, Cable Terminators

- Supplied with equipment mounting bolts, nuts, and lock washers (1/2 x 2).
- Bracket made for mounting to pole with 5/8" thru-bolt and a 1/2" lag screw, (not supplied).
- Mounting bolts, nuts, and lock washers are hot dipped galvanized.

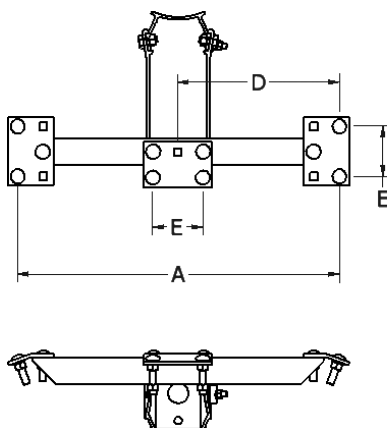


For mounting 3 pieces of equipment.

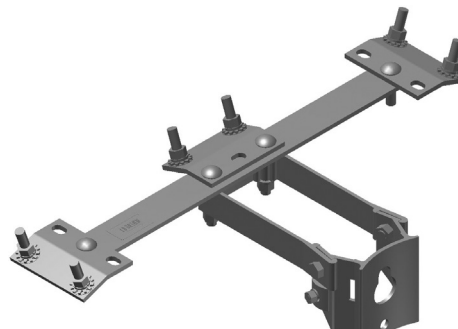
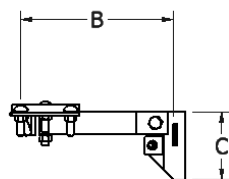
Catalog Number	A	B	C	D
BT-3PA25	25"	11"	7.25"	12.5"
BT-3PA35	35"	11"	7.25"	17.5"



For mounting 6 pieces of equipment.

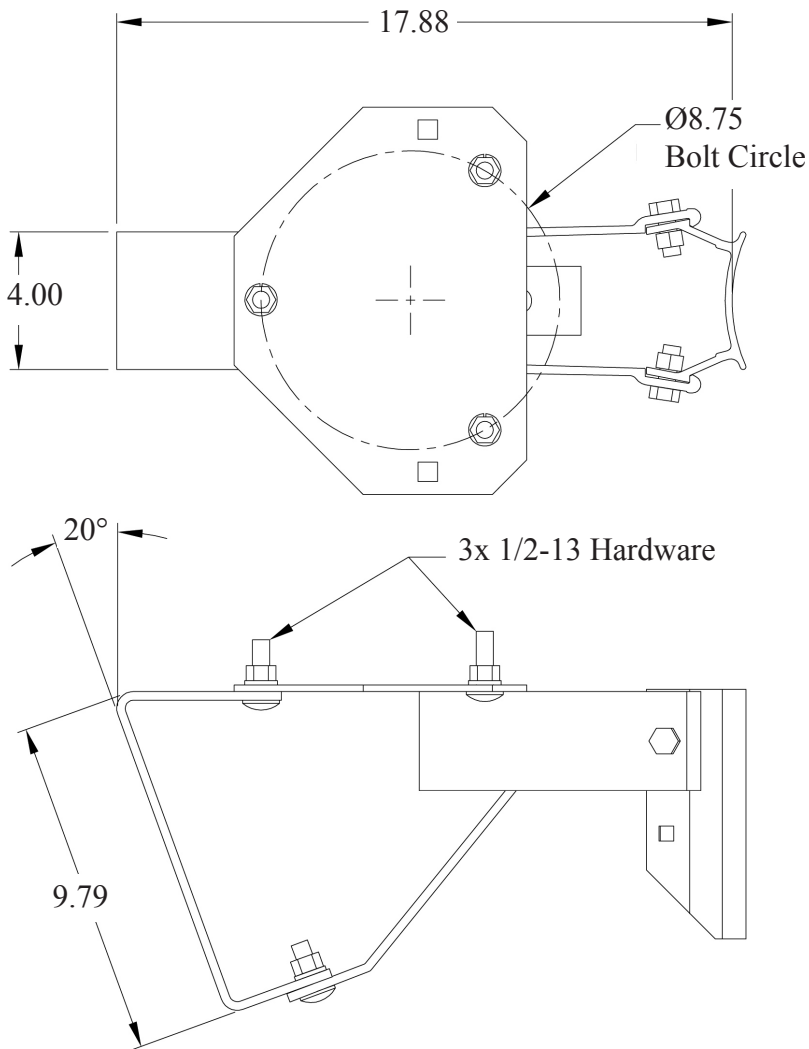


Catalog Number	A	B	C	D	E
BT-6PA25	25"	11"	7.25"	12.5"	3.75"
BT-6PA35	35"	11"	7.25"	17.5"	3.75"
BT-6PA35-6	35"	11"	7.25"	17.5"	6"

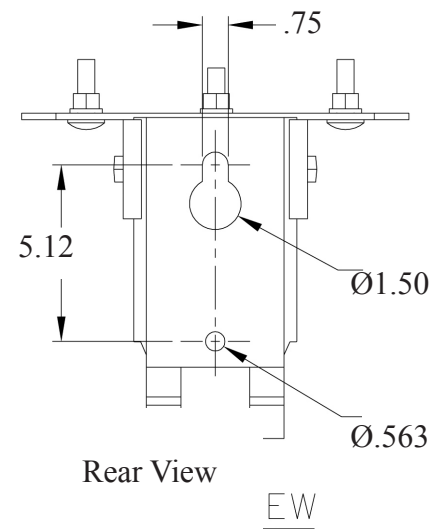


DISTRIBUTION SINGLE-PHASE HEAVY DUTY BRACKET

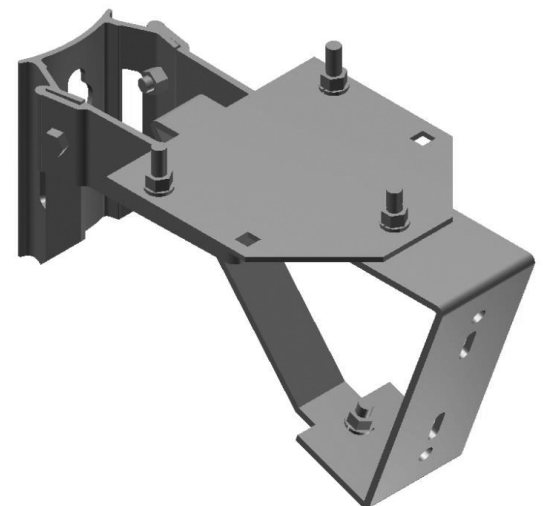
For Mounting Intermediate or Distribution Arrestors With Solid Blade Disconnect Switches or Fused Disconnects



BT1CDA



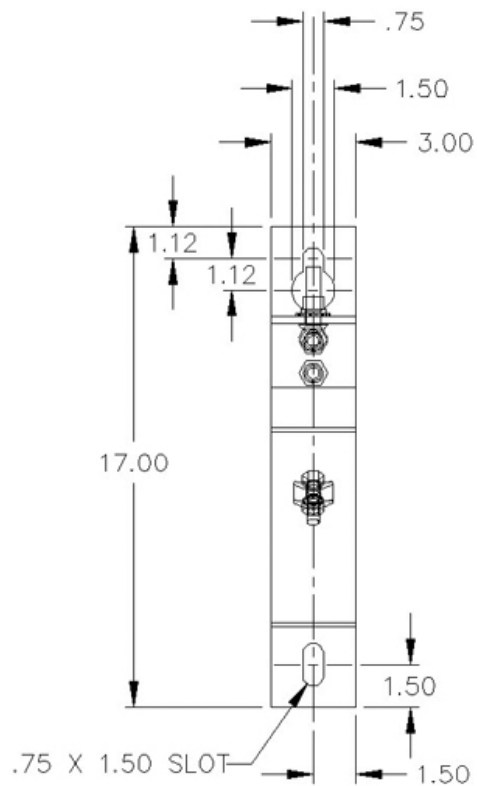
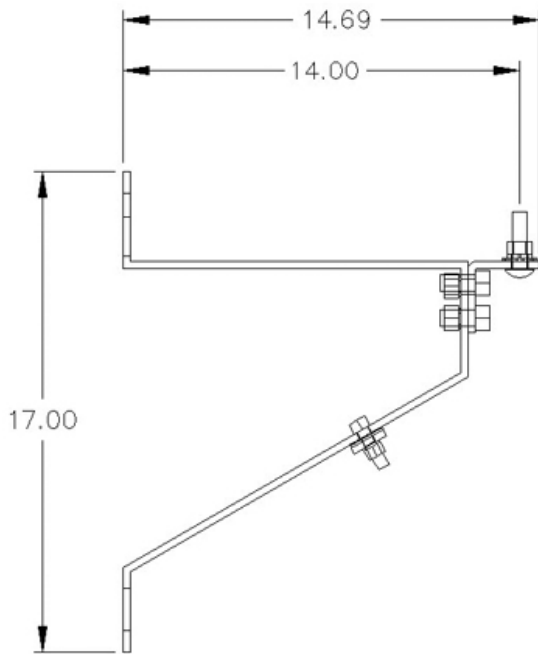
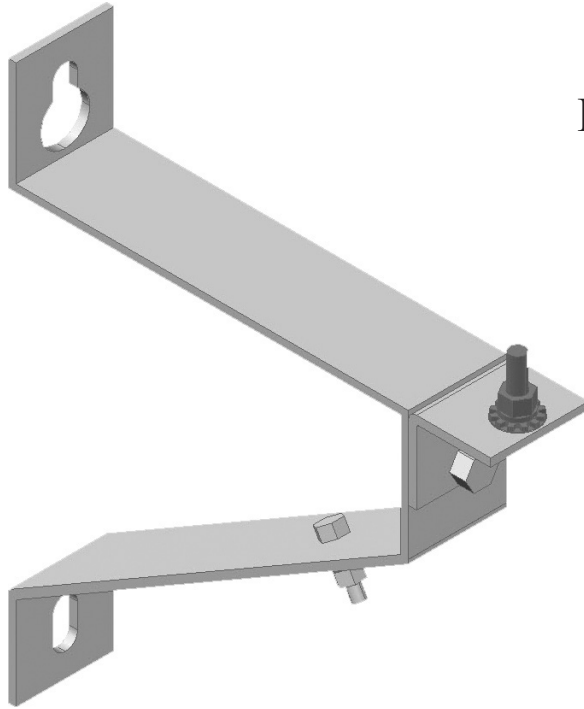
- Made with high strength 6061-T6 aluminum alloy.
- Ground lugs supplied (standard).
- Switch mounting faces adjustable to 20 degrees or 0 degrees.
- Provisions for mounting one intermediate class arrestors or two distribution class arrestors.
- Mounting hardware is hot dipped galvanized.



DISTRIBUTION SINGLE-PHASE BRACKET

For Mounting Single Cutouts or
Combination Cutout Lightning Arrestors

BAC126

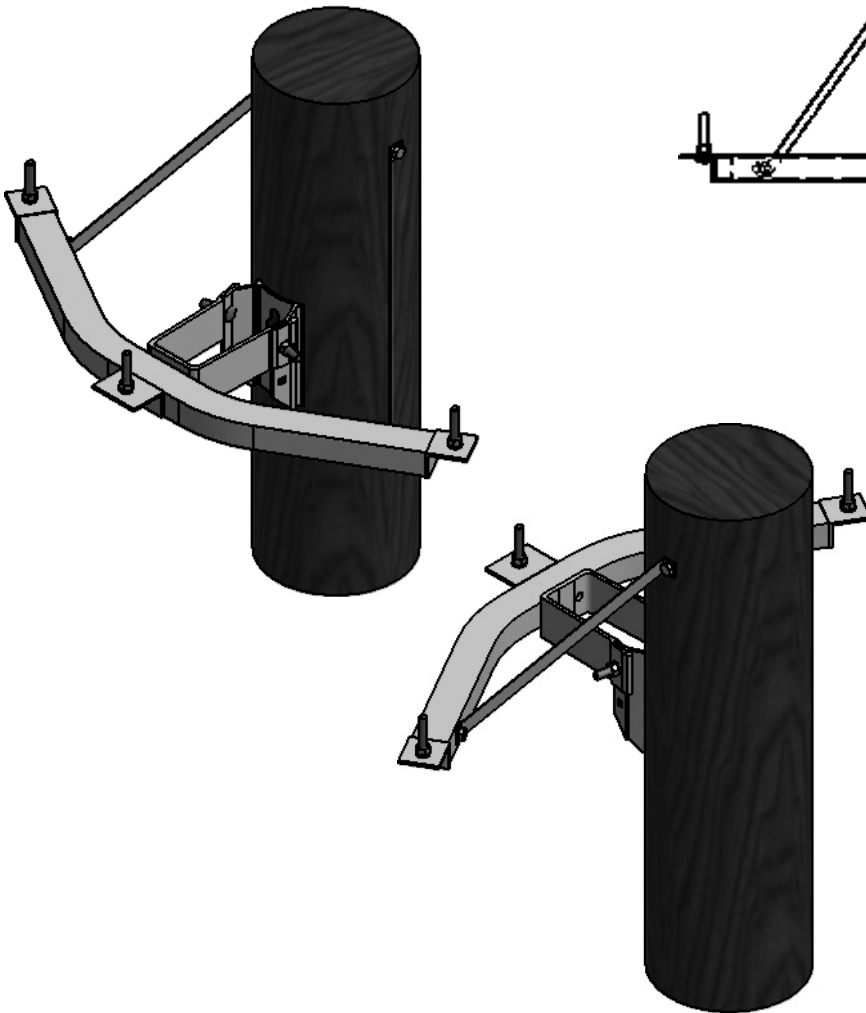
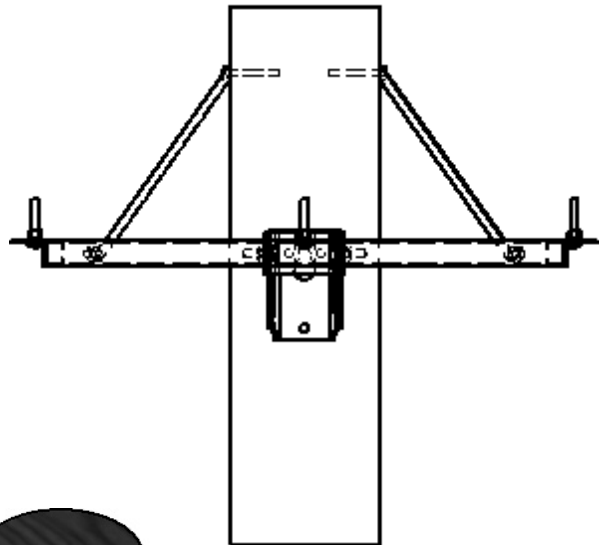
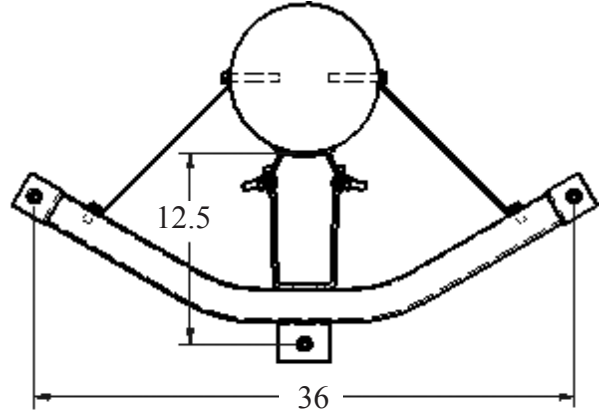


DISTRIBUTION 3 PHASE EQUIPMENT MOUNT

For Mounting Cutouts or Arrestors

BT3C-36

- Braces mount to sides of pole with lag bolts (not supplied).
- High strength 6061-T6 aluminum alloy.
- Grounding lugs supplied (standard).
- Completely assembled (standard).
- Hardware hot dipped galvanized.

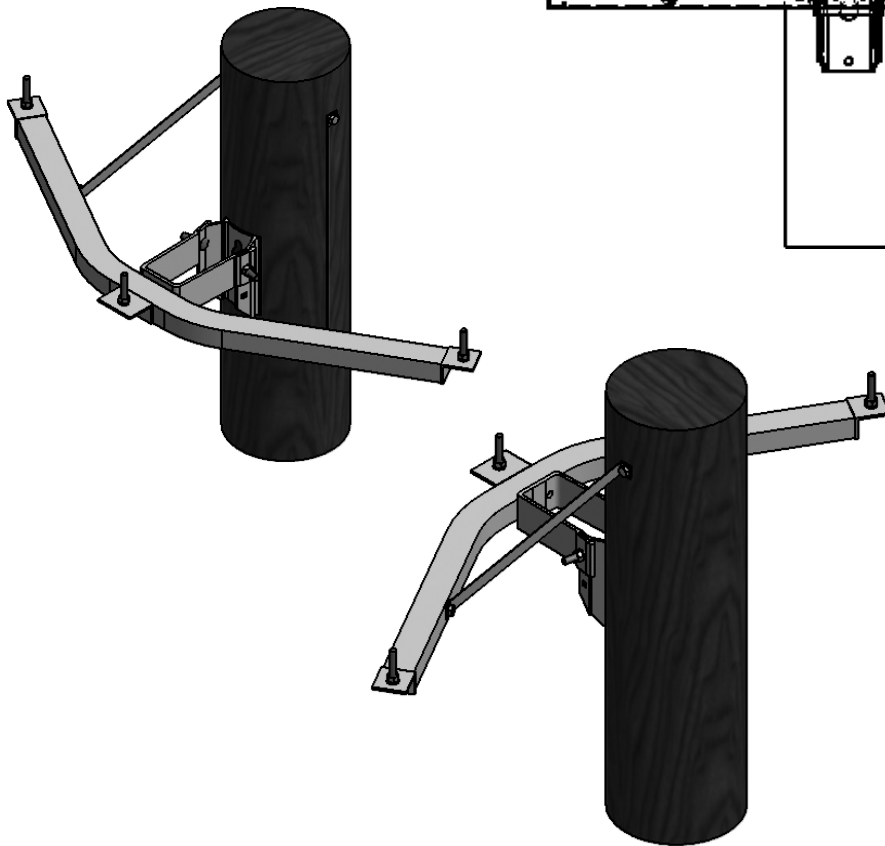
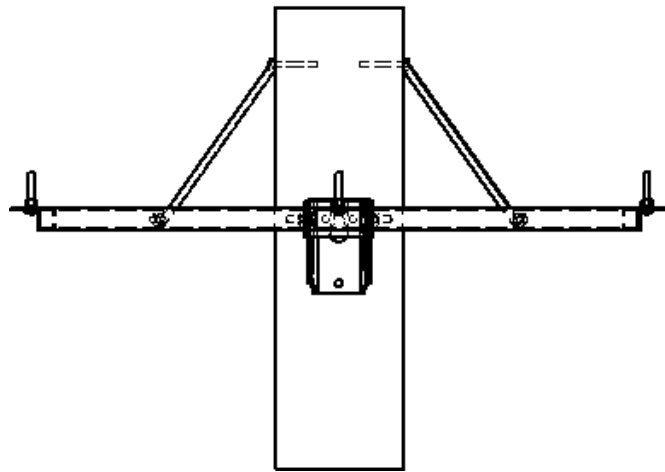
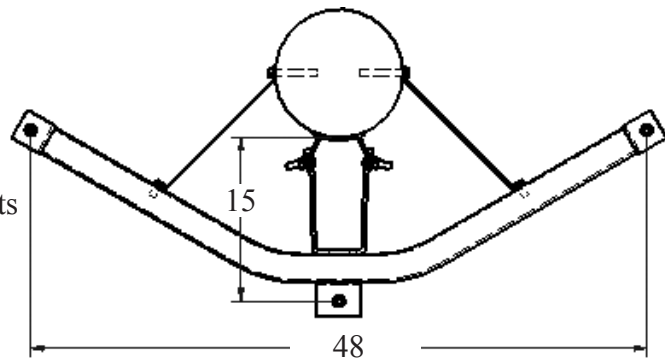


DISTRIBUTION 3 PHASE EQUIPMENT MOUNT

For Mounting Cutouts or Arrestors

BT3C-48

- Braces mount to sides of pole with lag bolts (not supplied).
- High strength 6061-T6 aluminum alloy.
- Grounding lugs supplied (standard).
- Completely assembled (standard).
- Hardware hot dipped galvanized.

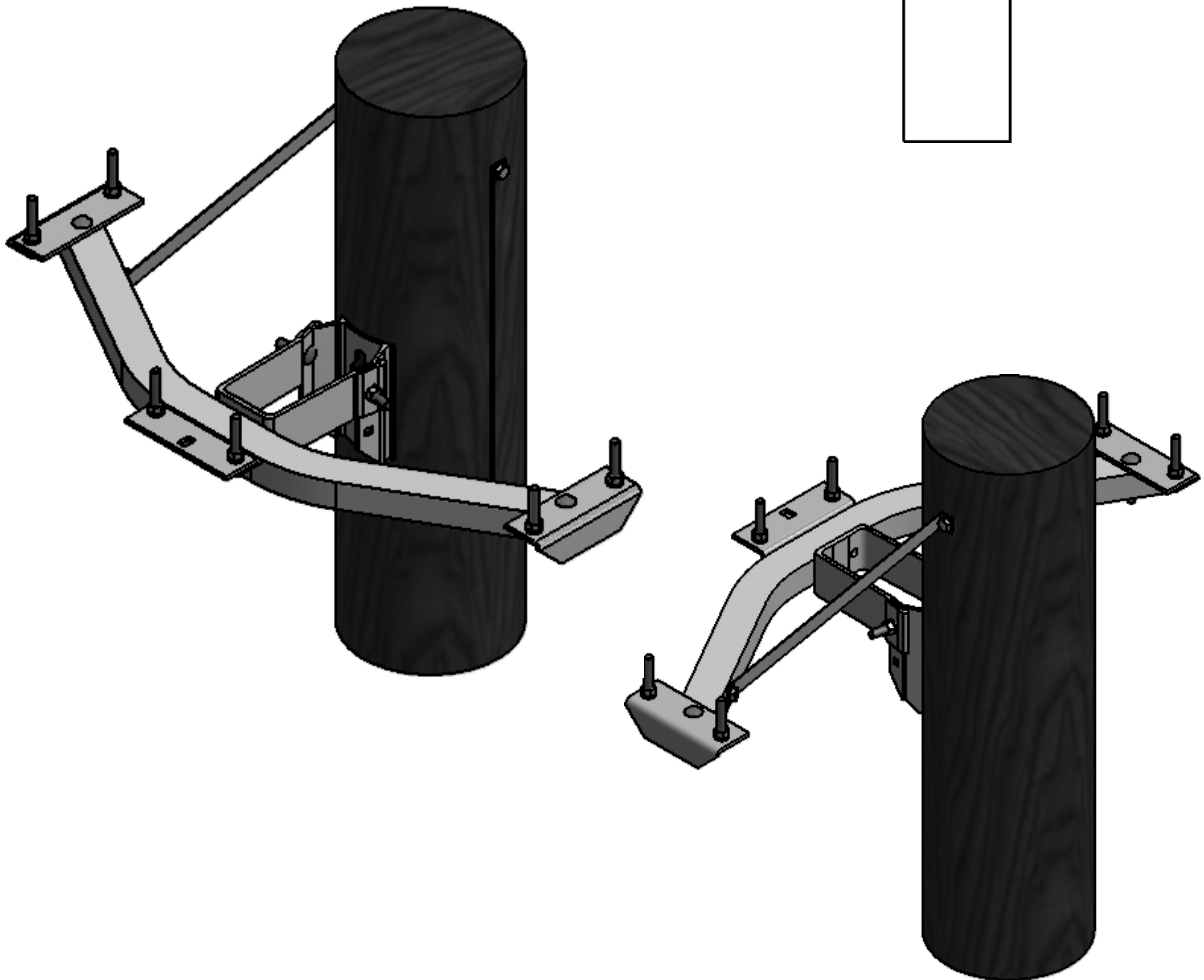
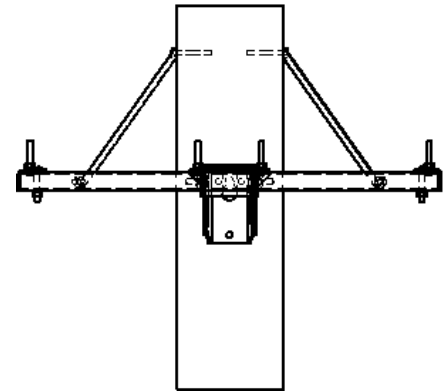
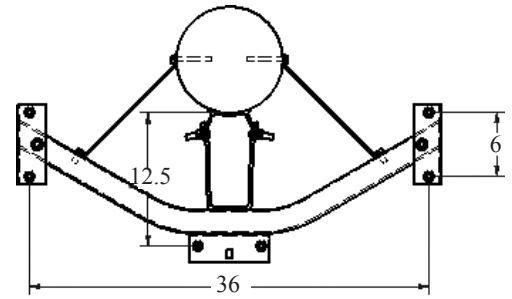


DISTRIBUTION 3 PHASE EQUIPMENT MOUNT

For Mounting Cutouts and Arrestors

BT3CA-36

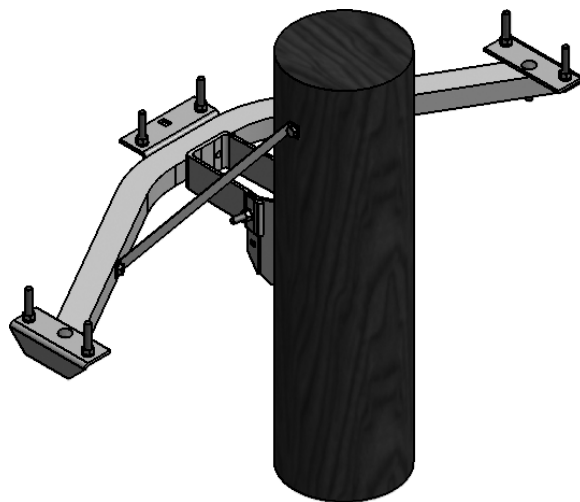
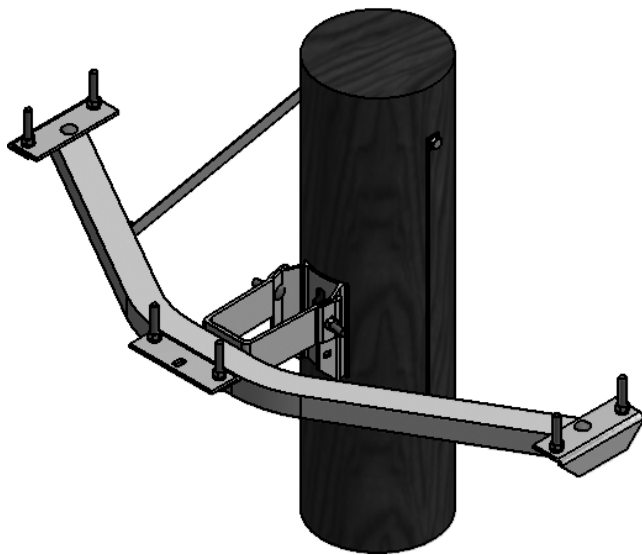
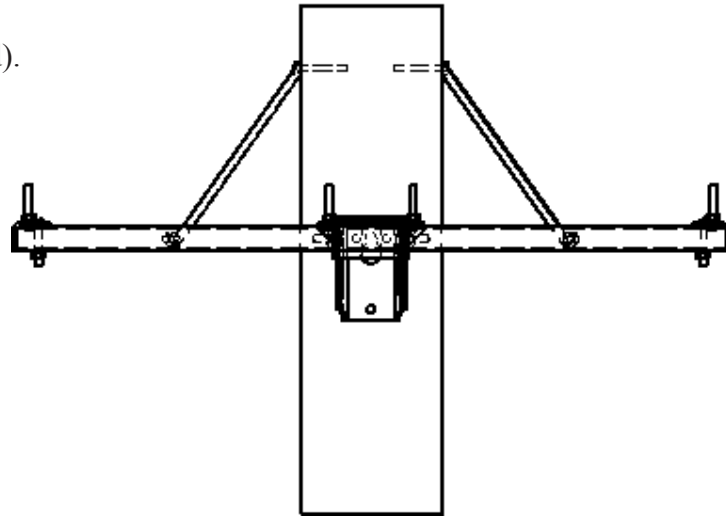
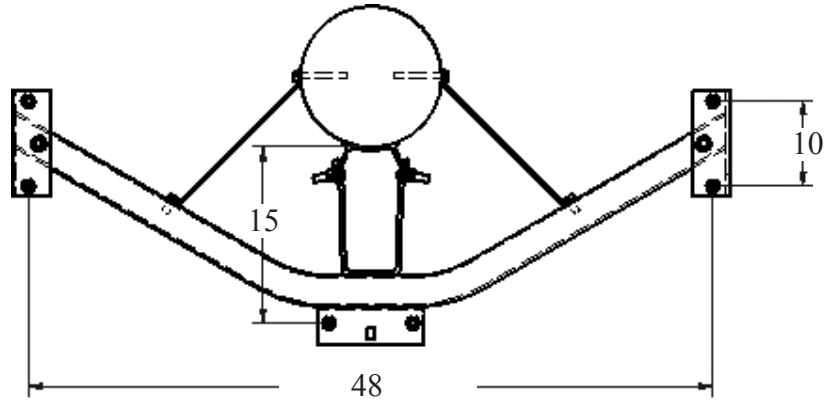
- Braces mount to sides of pole with lag bolts (not supplied).
- High strength 6061-T6 aluminum alloy.
- Grounding lugs supplied (standard).
- Completely assembled (standard).
- Hardware hot dipped galvanized.



DISTRIBUTION 3 PHASE EQUIPMENT MOUNT
For Mounting Cutouts and Arrestors

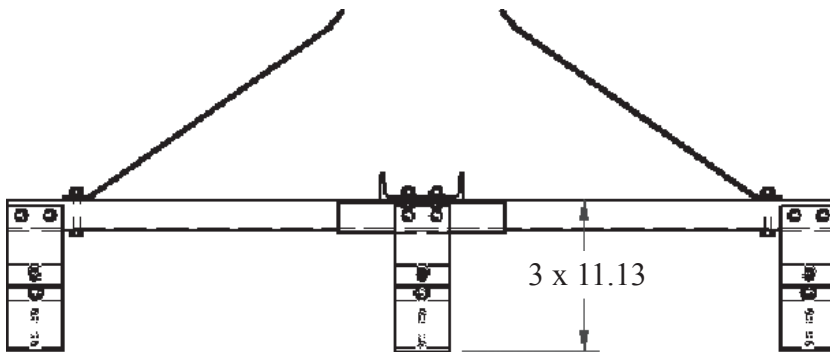
BT3CA-48

- Braces mount to sides of pole with lag bolts (not supplied)
- High strength 6061-T6 aluminum alloy
- Grounding lugs supplied (standard).
- Completely assembled (standard).

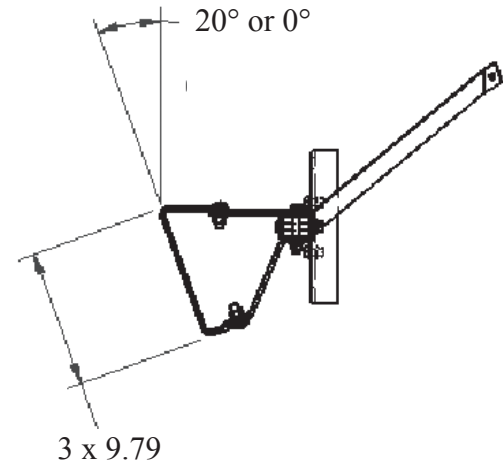
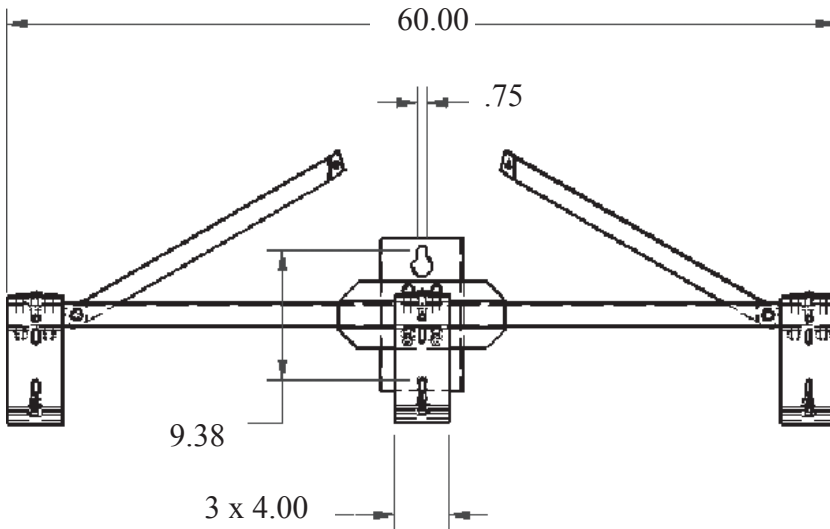


DISTRIBUTION 3 PHASE BRACKET For Mounting 3 Solid Blade Disconnect Switches or Fused Disconnects

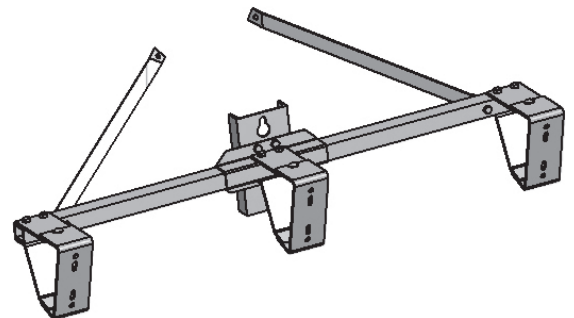
BA3CS



**Straight Cross-Tube
Allows Mounting
Back to Back.**



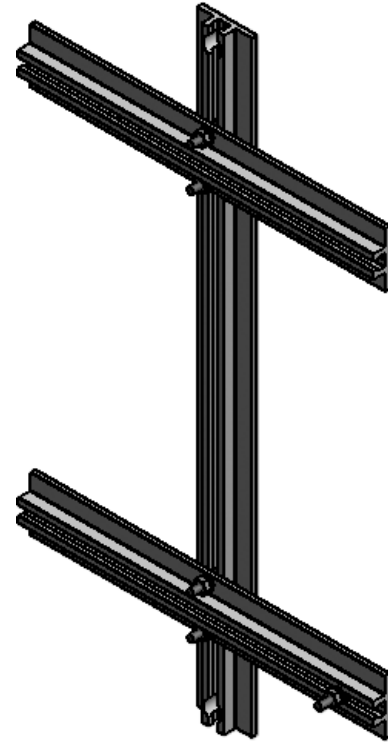
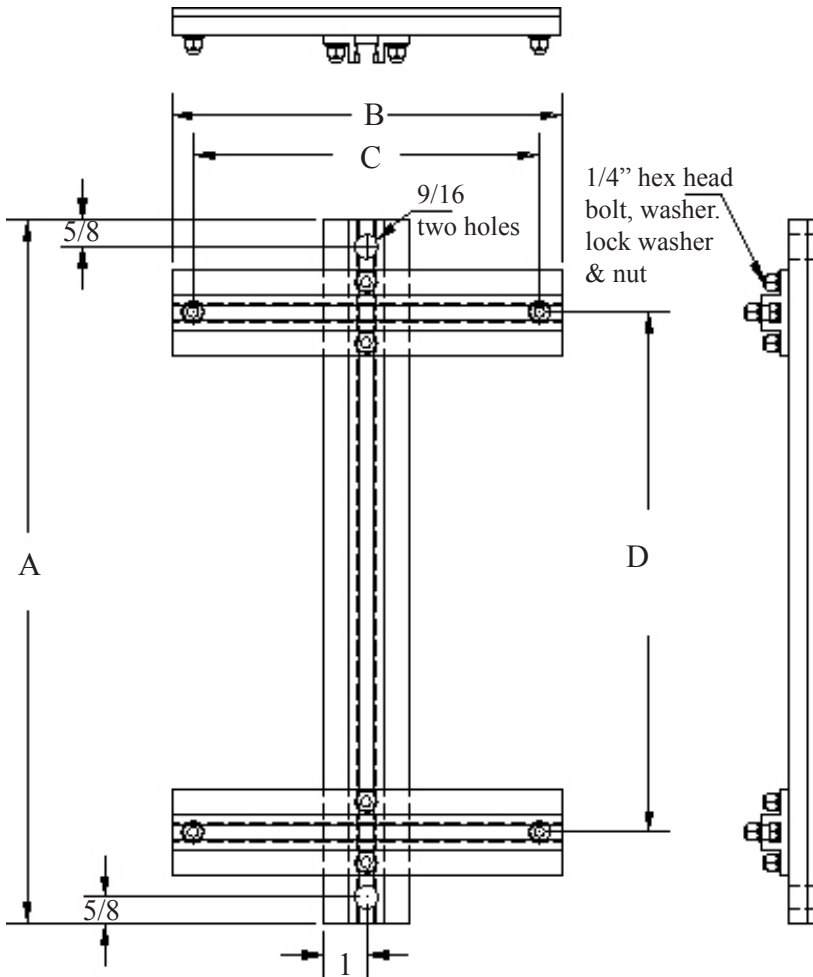
- Made with high strength 6061-T6 aluminum alloy.
- Ground lugs supplied (standard).
- Switch mounting faces adjustable to 20 degrees or 0 degrees.
- Provisions for mounting three intermediate class arrestors or six distribution class arrestors.
- Mounting hardware is hot dipped galvanized.
- Straight design allows back to back mounting.



MULTI PURPOSE CABINET MOUNTING BRACKETS

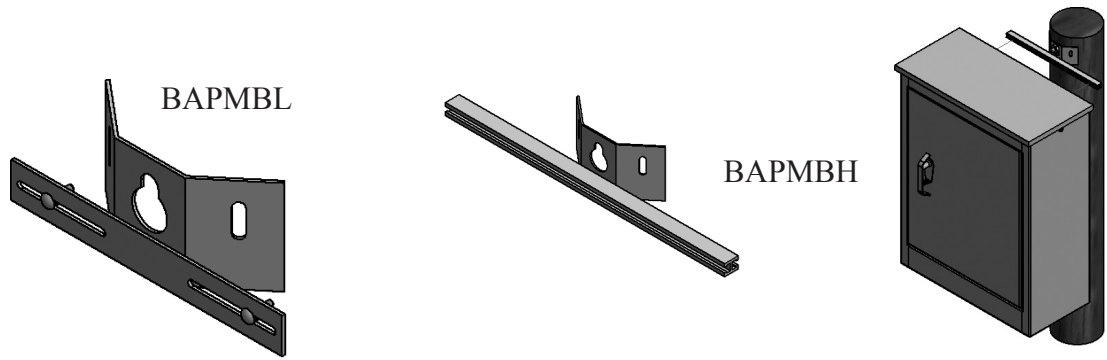
T-Slot adjustable multi-purpose mounting bracket for cabinets or other light duty enclosures.

Bracket is designed for attaching to poles or walls.



Catalog Number	A	B	C	D
BCB-1218	22.25	13.0	1.0 to 12.0	2.0 to 18.0
BCB-1624	28.25	17.0	1.0 to 16.0	2.0 to 24.0
BCB-1830	34.25	19.0	1.0 to 18.0	2.0 to 30.0

POLE AND FLAT SURFACE MOUNTING BRACKETS



Catalog Number	Description	Material
BAPMBL	11 1/2" light duty bar with 2 nuts & bolts	1/8" Aluminum
BAPMBL-7	7" light duty bar with 2 nuts & bolts	1/8" Aluminum
BAPMB-7	7" heavy duty bar with 2 nuts & bolts	3/16" Aluminum
BAPMB	11 1/2" heavy duty bar with 2 nuts & bolts	3/16" Aluminum
H-Bar 3/8" - 96	2 way H-bar 96" long for 3/8" bolts	Aluminum
BA3PMBH- ?	BAPMB with H-bar. Tell us how long (in inches)	3/16" Plate & 3/8 H- Bar
BA3PMBH-14	14" H-bar welded on 3/16" pole bracket	3/8 H-Bar & Plate
BA3PMBH-24	24" H-bar welded on 3/16" pole bracket	3/8 H-Bar & Plate
BA5PMBH- ?	BAPMB with H-bar. Tell us how long (in inches)	3/16" Plate & 1/2 H- Bar
BA5PMBH-14	14" H-bar welded on 3/16" pole bracket	1/2 H-Bar & Plate
BA5PMBH-24	24" H-bar welded on 3/16" pole bracket	1/2 H-Bar & Plate
BA-101	1 L - Bracket - No nuts or bolts	1/8" Aluminum
BA-102	2 L - Brackets - No nuts or bolts	1/8" Aluminum
BA-103	2 L - Bracket & one Hanger Bracket - No nuts or bolts	1/8" & .090" Aluminum
BAFMB	For mounting to flat surface	Aluminum
BA3FMBH-24	24" H-bar welded on 3/16" pole bracket	3/8 H-Bar & Plate

Application:

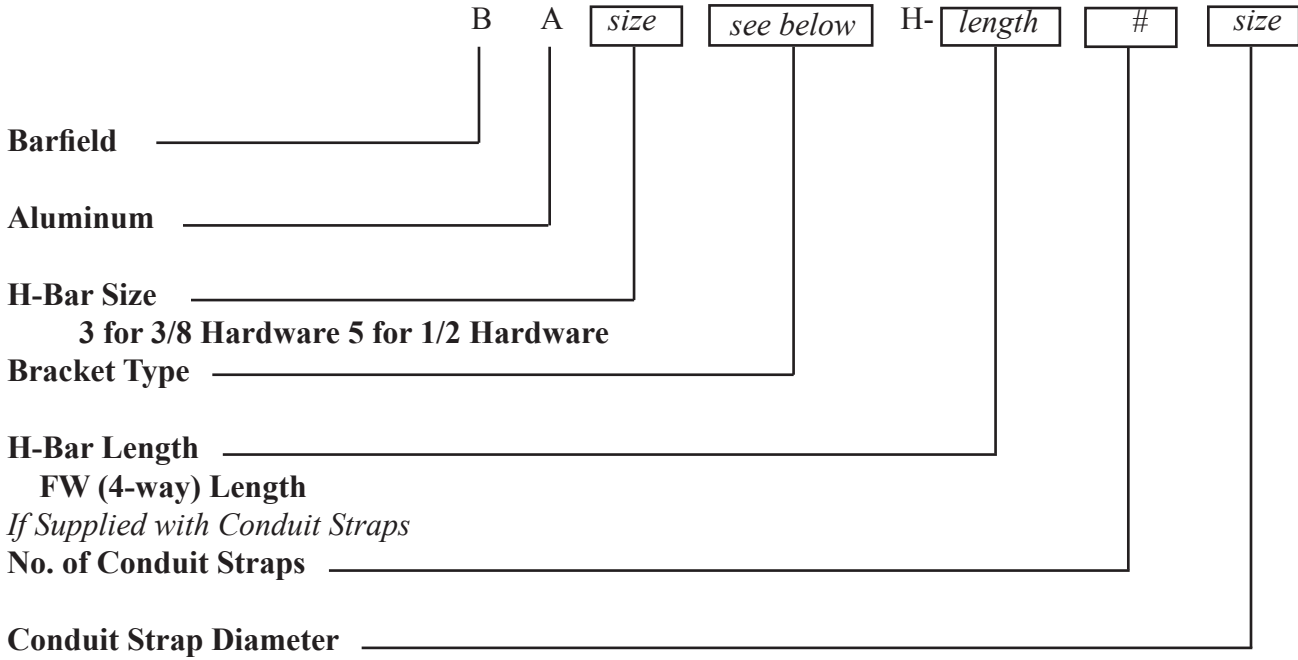
Pole and flat mounting brackets are for mounting a variety of equipment enclosures to poles and flat surfaces. The base plate, angled or flat, measures 4" (H) x 9" (L) and is slotted (1 1/4" x 7/16") for use with stainless steel banding or lag screws, and is keyholed (1 1/4" x 5/8") for centering and hanging.

Features:

BAPMBC Plate with 6" flat bar with (2) 3/8" holes for mounting H-bar to pole or flat surface. This bracket is designed to mount any length H-bar.

STANDOFF BRACKETS

How to Order



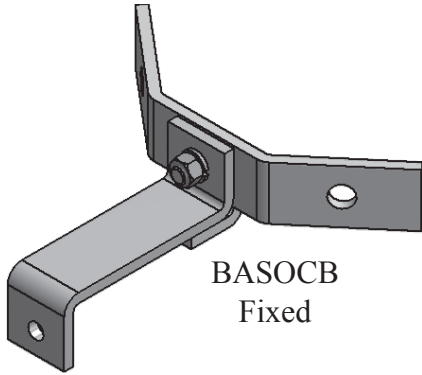
Applies To:

- BA ___ PMB_ - ___ ___ ___
- BA ___ FMB_ - ___ ___ ___
- BA ___ SOCB_ - ___ ___ ___
- BA ___ SOCBA_ - ___ ___ ___
- BA ___ SOCJ_ - ___ ___ ___
- BA ___ SOCP_ - ___ ___ ___

Example:

- BA3PMB_-18
- BA3SOC17_2-3

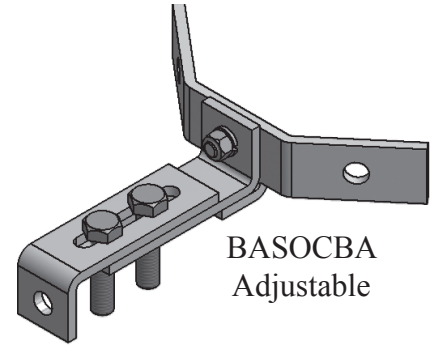
CONDUIT STANDOFF BRACKETS - POLE MOUNT



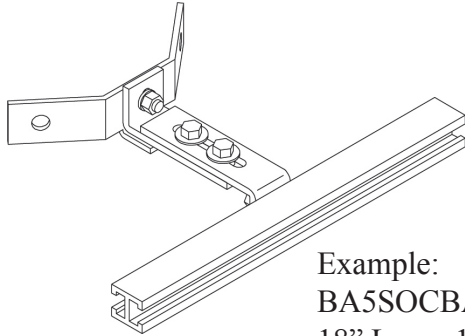
BASOCB
Fixed

BASOCB

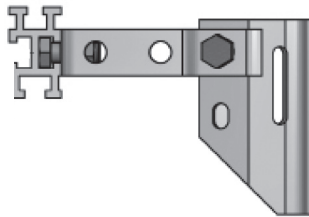
Y-Shaped bracket mounts H-bar and conduit 6" off face pole. Requires two 1/2" lag bolts to attach to pole. 1/2" lag bolts not supplied. Add "A" for adjustable.



BASOCBA
Adjustable



Example:
BA5SOCBA-18H
18" Long, 1/2" H-Bar



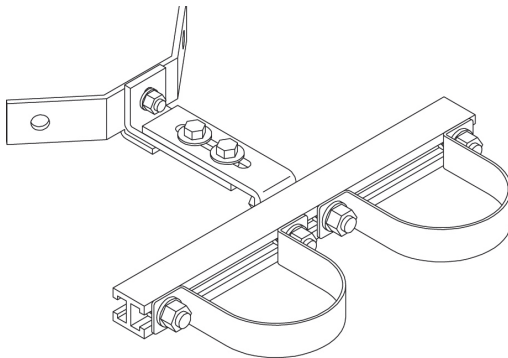
Example:
BA5SOCBA-18FW
18" Long, 1/2" 4-way

Base Bracket	H-Bar Length
BA_SOCB_	_H or FW

Available in 6 inch increments

Add A for adjustable.
Leave blank for fixed.

Add 3 for 3/8" H-Bar.
*Add 5 for 1/2" H-Bar.
Add FW for 1/2" 4-way.



Example:
BA5SOCBA-12H-2-4
18" Long, 1/2" H-Bar
with two 4" straps.

Base Bracket	H-Bar Length or FW	Number of Straps	Size of Straps
BA_SOCB_	_H	_	_

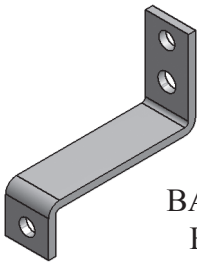
Available in 6 inch increments

Add A for adjustable.
Leave blank for fixed.

Add 3 for 3/8" H-Bar.
*Add 5 for 1/2" H-Bar.
Add FW for 1/2" 4-way.
Add FW for 1/2" 4-way

* If no size is entered, H-Bar will be 1/2"

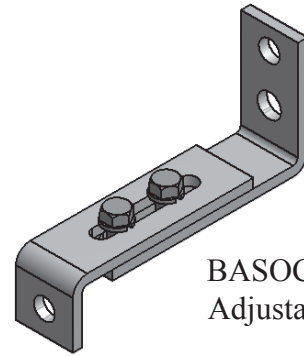
CONDUIT STANDOFF BRACKETS



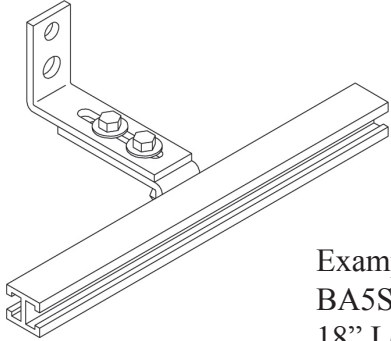
BASOCJ
Fixed

BASOCJ

J-Shaped bracket mounts H-bar and 6" off face pole. Requires two 1/2" lag bolts to attach to pole. 1/2" lag bolts not supplied.



BASOCJA
Adjustable



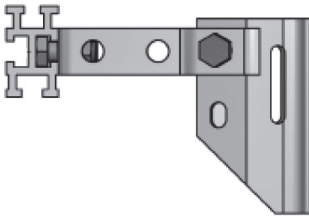
Example:
BA5SOCJA-18H
18" Long, 1/2" H-Bar

Base Bracket	H-Bar Length or FW
BA_SOCJ_	_H

Available in 6 inch increments

Add A for adjustable.
Leave blank for fixed.

Add 3 for 3/8" H-Bar.
*Add 5 for 1/2" H-Bar.
Add FW for 1/2" 4-way.



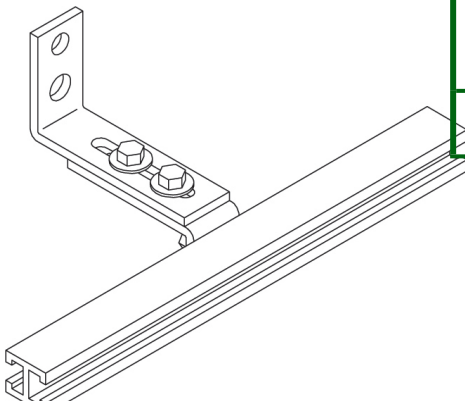
Example:
BA5SOCBA-18FW
18" Long, 1/2" 4-way

Base Bracket	H-Bar Length or FW	Number of Straps	Size of Straps
BA_SOCJ_	_H	_	_

Available in 6 inch increments

Add A for adjustable.
Leave blank for fixed.

Add 3 for 3/8" H-Bar.
*Add 5 for 1/2" H-Bar.
Add FW for 1/2" 4-way.

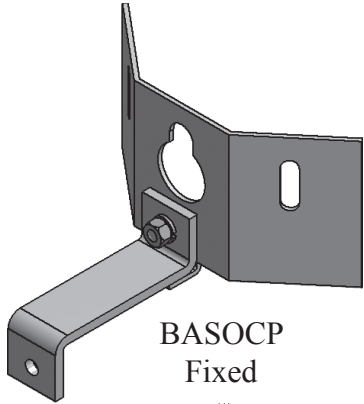


Example:
BA5SOCJA-18H-2-4
18" Long, 1/2" H-Bar with two 4" straps.

* If no size is entered, H-Bar will be 1/2"

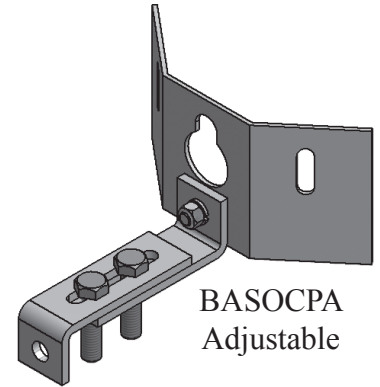
CONDUIT STANDOFF BRACKETS

POLE MOUNT, BAND/BOLT

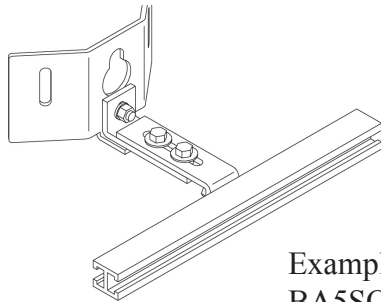


BASOCP
Fixed

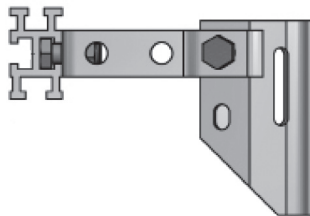
BA5SOCP, BA3SOCP
Bracket with 3/16" thick plate 4" x 9" mounts H-bar and conduit 6" off face pole. Requires either one 1/2" through bolt or two 1/2" lag bolts to attach to pole. 1/2" lag bolts nor 1/2" through bolt supplied.



BASOCPA
Adjustable



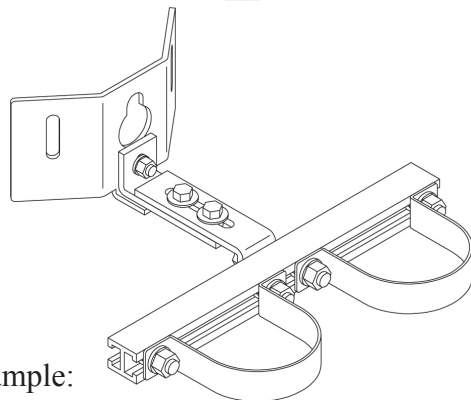
Example:
BA5SOCPA-18H
18" Long, 1/2" H-Bar



Example:
BA5SOCBA-18FW
18" Long, 1/2" 4-way

Base Bracket	H-Bar Length or FW
BA_SOCP_	_H

Available in 6 inch increments
Add A for adjustable.
Leave blank for fixed.
Add 3 for 3/8" H-Bar.
*Add 5 for 1/2" H-Bar.
Add FW for 1/2" 4-way.



Example:
BA5SOCPA-18H-2-4
18" Long, 1/2" H-Bar
with two 4" straps.

Base Bracket	H-Bar Length or FW	Number of Straps	Size of Straps
BA_SOCP_	_H	_	_

Available in 6 inch increments
Add A for adjustable.
Leave blank for fixed.
Add 3 for 3/8" H-Bar.
*Add 5 for 1/2" H-Bar.
Add FW for 1/2" 4-way.

* If no size is entered, H-Bar will be 1/2"

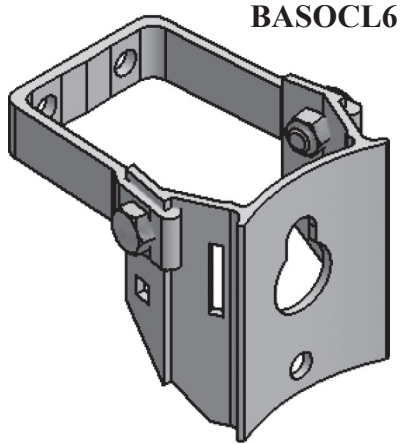
STANDOFF BRACKETS WITH H-BAR

How to Order

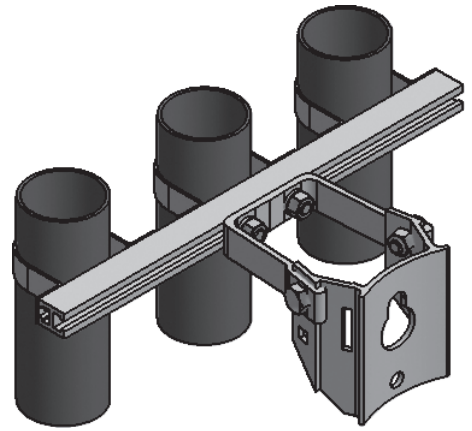
	B	A	"SOCL"	6 or 9	Length	H	#	dia.
Barfield _____								
Aluminum _____								
H-Bar Size - standard 1/2" length								
Bracket Description _____								
Distance From Pole (inches) _____								
H-Bar Length _____								
FW (4-way) Length _____								
<u>If supplied with Conduit Straps:</u>								
No. Conduit Straps _____								
Diameter of Conduit Straps _____								

Example:
 BASOCL6-36
 BASOCL6-36-3-6

6" STAND OFF BRACKET WITH H-BAR

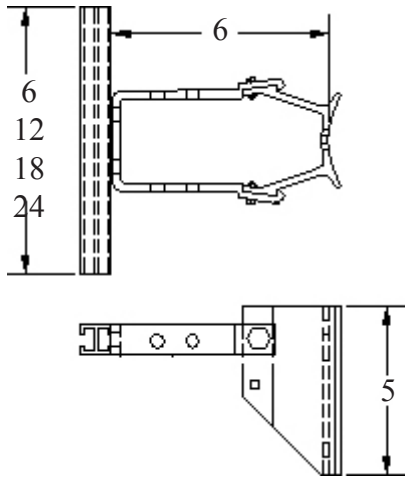


BASOCL6-H X-X
with conduit strap.



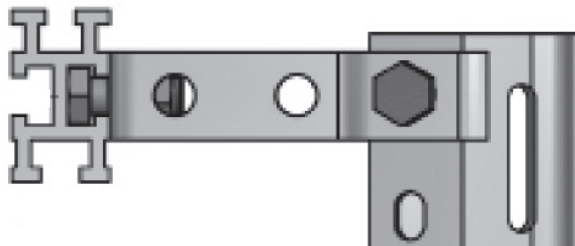
BASOCL6-H

See pages E-25 and E-26
for ordering with conduit straps.



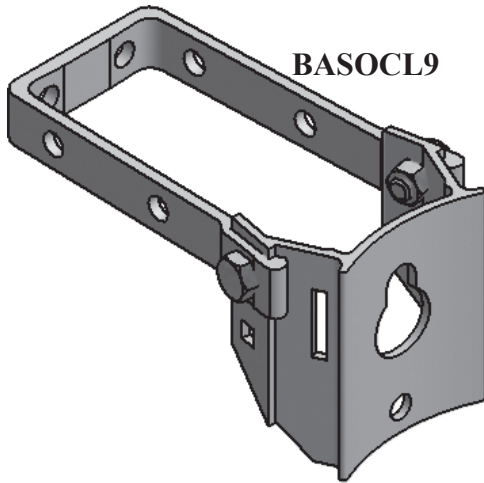
Catalog Number	Description
BASOCL6	Stand off bracket with interlocking extrusions. Mounts H-bar and conduit 6" off face pole. Requires one 1/2" through bolt and one 1/2" lag bolt to attach to pole. 1/2" lag bolt and 1/2" through bolt (not supplied).
BASOCL6-6H	Standoff bracket with 6" H-Bar
BASOCL6-12H	Standoff bracket with 12" H-Bar
BASOCL6-18H	Standoff bracket with 18" H-Bar
BASOCL6-24H	Standoff bracket with 24" H-Bar

*Replace suffix H with FW for optional 1/2" 4-way bar.



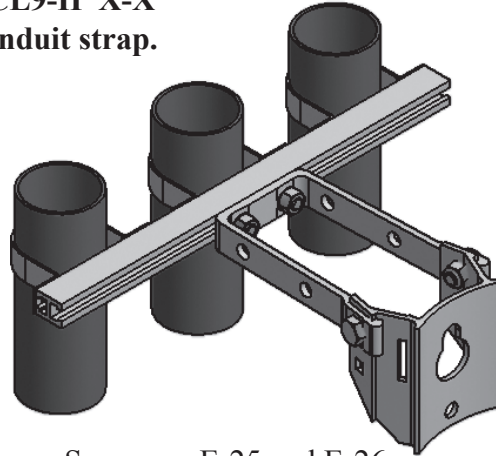
Example:
1/2" 4-way

9" STANDOFF BRACKET



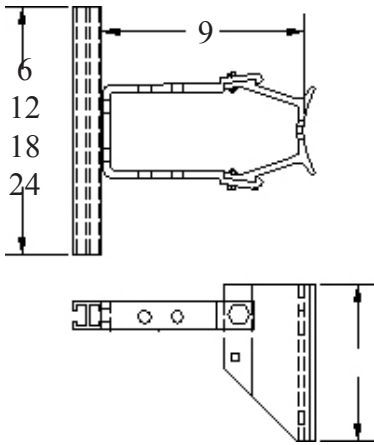
BASOCL9

**BASOCL9-H X-X
with conduit strap.**



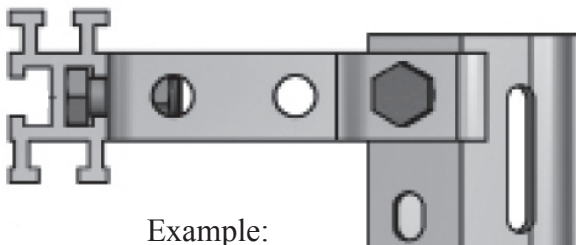
BASOCL9-H

See pages E-25 and E-26
for ordering with conduit straps.



Catalog Number	Description
BASOCL9	Stand off bracket with interlocking extrusions. Mounts H-bar and conduit 9" off face pole. Requires one 1/2" through bolt and one 1/2" lag bolt to attach to pole. (1/2" lag bolt and 1/2" through bolt not supplied).
BASOCL9-6H	Standoff bracket with 6" H-Bar
BASOCL9-12H	Standoff bracket with 12" H-Bar
BASOCL9-18H	Standoff bracket with 18" H-Bar
BASOCL9-24H	Standoff bracket with 24" H-Bar

*Replace suffix H with FW for optional 1/2" 4-way bar.



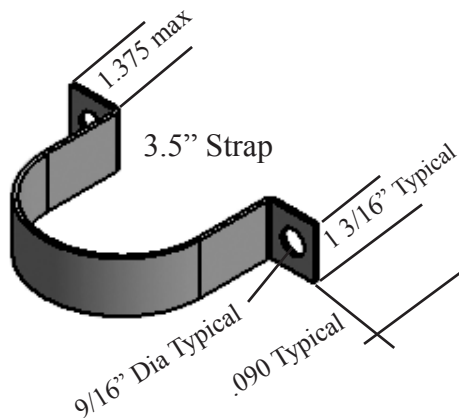
Example:
1/2" 4-way

CONDUIT STRAPS/KITS

1/2" CONDUIT STRAP KITS

Conduit strap kit includes conduit strap, two 1/2" bolts, two 1/2" lock washers, and two 1/2" nuts.

Catalog Number	Size	ID	Width	Length	Hole Size
BA5CSB-1	1"	1 1/4"	1 3/6	4 1/2"	9/16"
BA5CSB-2	2"	2 3/8"	1 3/16	5 1/8"	9/16"
BA5CSB-2.5	2.5"	2 7/8"	1 3/16	5 3/8"	9/16"
BA5CSB-3	3"	3.5"	1 3/16	6 1/4"	9/16"
BA5CSB-3.5	3.5"	4"	1 3/16	6 3/4"	9/16"
BA5CSB-4	4"	4.5"	1 3/16	7 1/4"	9/16"
BA5CSB-5	5"	5 3/8"	1 3/16	8 1/4"	9/16"
BA5CSB-6	6"	6 5/8"	1 3/16	9 3/8"	9/16"



1/2" CONDUIT STRAPS

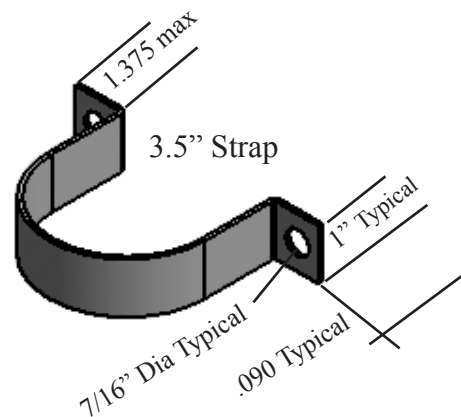
Conduit strap only. Strap does not come with bolts, lock washers, and nuts. Straps have 9/16" hole for a 1/2" bolt.

Catalog Number	Size	ID	Width	Length	Hole Size
BA5CS-1	1"	1 1/4"	1 3/16	4 1/2"	9/16"
BA5CS-2	2"	2 3/8"	1 3/16	5 1/8"	9/16"
BA5CS-2.5	2.5"	2 7/8"	1 3/16	5 3/8"	9/16"
BA5CS-3	3"	3.5"	1 3/16	6 1/4"	9/16"
BA5CS-3.5	3.5"	4"	1 3/16	6 3/4"	9/16"
BA5CS-4	4"	4.5"	1 3/16	7 1/4"	9/16"
BA5CS-5	5"	5 3/8"	1 3/16	8 1/4"	9/16"
BA5CS-6	6"	6 5/8"	1 3/16	9 3/8"	9/16"

3/8" CONDUIT STRAP KITS

Conduit strap kit includes conduit strap, two 3/8" bolts, two 3/8" lock washers, and two 3/8" nuts.

Catalog Number	Size	ID	Width	Length	Hole Size
BA3CSB-1	1"	1 1/4"	1	4 1/2"	7/16"
BA3CSB-2	2"	2 3/8"	1	5 1/8"	7/16"
BA3CSB-2.5	2.5"	2 7/8"	1	5 3/8"	7/16"
BA3CSB-3	3"	3.5"	1	6 1/4"	7/16"
BA3CSB-3.5	3.5"	4"	1	6 3/4"	7/16"
BA3CSB-4	4"	4.5"	1	7 1/4"	7/16"
B3CSB-5	5"	5 3/8"	1	8 1/4"	7/16"
BA3CSB-6	6"	6 5/8"	1	9 3/8"	7/16"



3/8" CONDUIT STRAPS

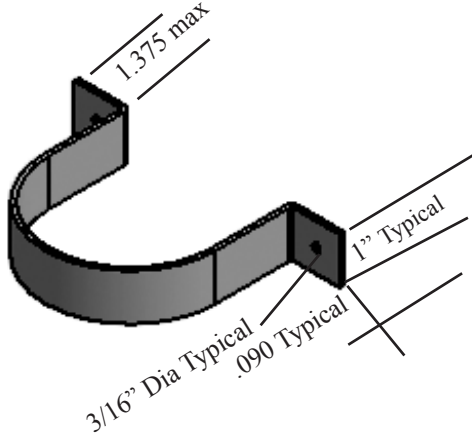
Conduit strap only. Strap does not come with bolts, lock washers, and nuts. Straps have 7/16" hole for a 3/8" bolt.

Catalog Number	Size	ID	Width	Length	Hole Size
BA3CS-1	1"	1 1/4"	1	4 1/2"	7/16"
BA3CS-2	2"	2 3/8"	1	5 1/8"	7/16"
BA3CS-2.5	2.5"	2 7/8"	1	5 3/8"	7/16"
BA3CS-3	3"	3.5"	1	6 1/4"	7/16"
BA3CS-3.5	3.5"	4"	1	6 3/4"	7/16"
BA3CS-4	4"	4.5"	1	7 1/4"	7/16"
BA3CS-5	5"	5 3/8"	1	8 1/4"	7/16"
BA3CS-6	6"	6 5/8"	1	9 3/8"	7/16"

CONDUIT STRAPS

CONDUIT STRAPS - NAIL HOLE:

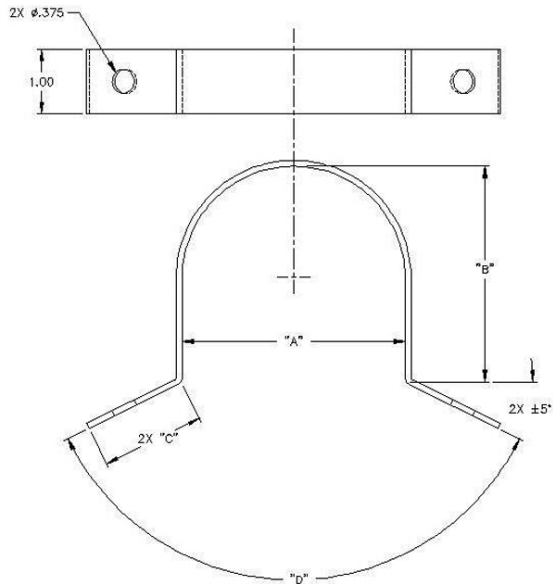
Conduit strap only. Straps do not come with nails. Straps have 3/16 hole to accept nails for mounting.



Catalog Number	Size	ID	Width	Length	Hole Size
BACSN-2	2"	2 3/8"	1 3/16"	5 1/8"	3/16"
BACSN-2.5	2.5"	2 7/8"	1 3/16"	5 3/8"	3/16"
BACSN-3	3"	3.5"	1 3/16"	6 1/4"	3/16"
BACSN-3.5	3.5"	4"	1 3/16"	6 3/4"	3/16"
BACSN-4	4"	4.5"	1 3/16"	7 1/4"	3/16"
BACSN-5	5"	5 3/8"	1 3/16"	8 1/4"	3/16"
BACSN-6	6"	6 5/8"	1 3/16"	9 3/8"	3/16"

U-GUARD STRAPS:

Conduit strap only. Straps do not come with nails. Straps have 3/16 hole to accept nails for mounting.



Catalog Number	Dim A	Dim B	Dim C	Dim D
BA3CS-2-120	2.20"	2.38"	1.39"	150"
BA3CS-3-120	3.45"	3.35"	1.60"	120"
BA3CS-4-120	4"	4.25"	1.34"	110"

POWER-LOCK BANDING SYSTEM

BAD1PLK -

3/4" width .030 thickness
type 201 stainless steel band
minimum tensile strength
95,000 PSI and 45,000 PSI
minimum yield strength.

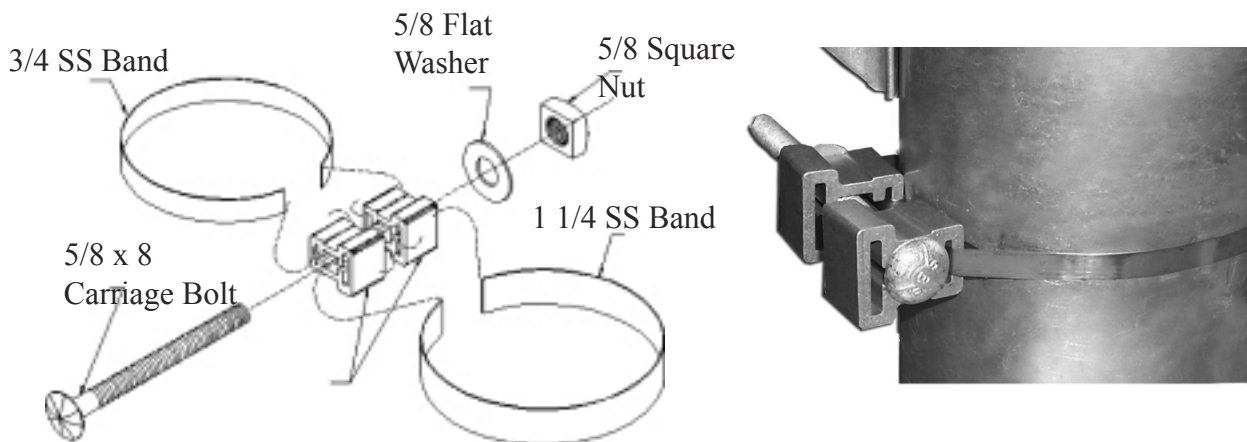
Catalog Number	Specifications
BAD1PLK-36	3/4" x 36" long stainless steel band
BAD1PLK-40	3/4" x 40" long stainless steel band
BAD1PLK-42	3/4" x 42" long stainless steel band
BAD1PLK-48	3/4" x 48" long stainless steel band
BAD1PLK-62	3/4" x 62" long stainless steel band
BAD1PLK-74	3/4" x 74" long stainless steel band
BAD1PLK-86	3/4" x 86" long stainless steel band

BAD2PLK -

1 1/4" width .044 thickness
type 201 stainless steel band
minimum tensile strength
95,000 PSI and 45,000 PSI
minimum yield strength.

Catalog Number	Specifications
BAD2PLK-36	1 1/4" x 36" long stainless steel band
BAD2PLK-40	1 1/4" x 40" long stainless steel band
BAD2PLK-42	1 1/4" x 42" long stainless steel band
BAD2PLK-48	1 1/4" x 48" long stainless steel band
BAD2PLK-62	1 1/4" x 62" long stainless steel band
BAD2PLK-74	1 1/4" x 74" long stainless steel band
BAD2PLK-86	1 1/4" x 86" long stainless steel band

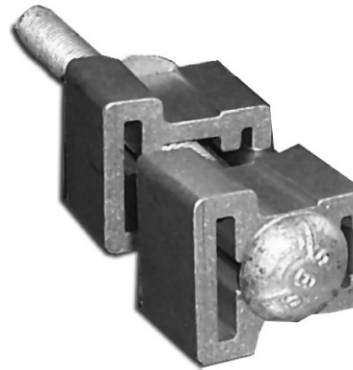
High strength grade 5 carriage head bolts available in 5/8" x 8", conforms to ASTM A-449 specifications.



POWER-LOCK BANDING ACCESSORIES

BADPLK

Series includes 5/8" x 8" standard strength galvanized carriage head bolt, washer and nut, two 6061-T6 aluminum alloy power-lock sliding tensioners.



BMPPB-2

Multipurpose mounting bracket with 5/8" x 2" standard bolt, nut and lock washer.

BMPPB-2HD

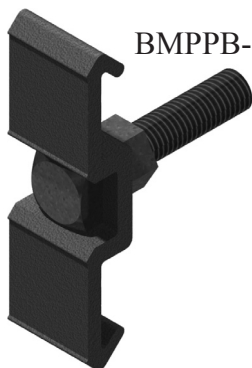
Multipurpose mounting bracket with 5/8" x 2" high strength bolt, nut and lock washer.

BMPPB-3

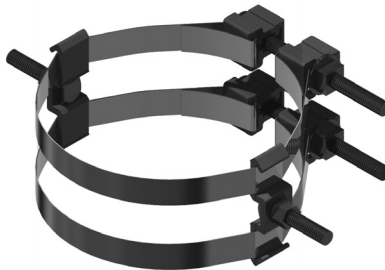
Multipurpose mounting bracket with 5/8" x 3" standard bolt, nut and lock washer.

BMPPB-3HD

Multipurpose mounting bracket with 5/8" x 3" high strength bolt, nut and lock washer.



BMPPB-3HD



BMPPB-3HD with bands

100 Foot Roll of Stainless Steel Band.

201 stainless steel minimal tensile strength 1000,00 PSI, 50,000 PSI minimum yield strength.

SST ROLL-75

.75" Stainless steel band 100' roll.

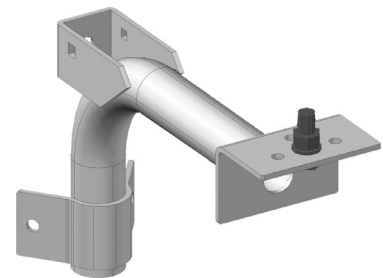
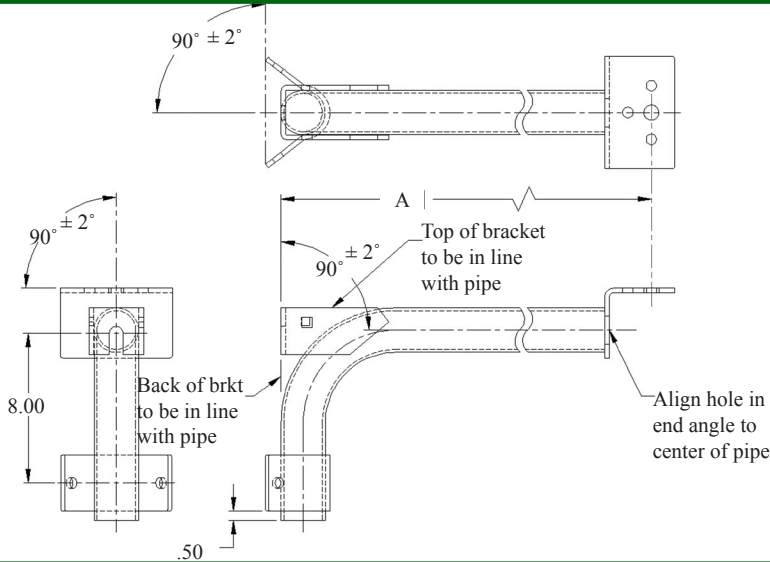
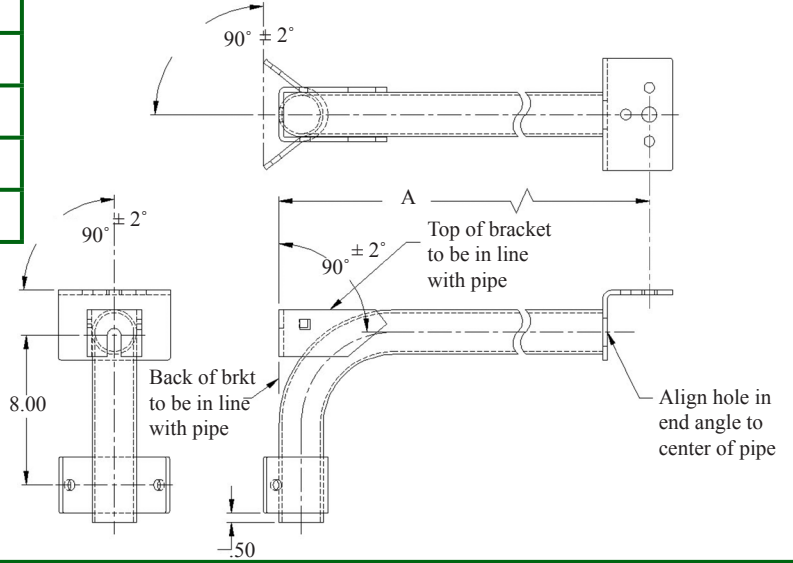
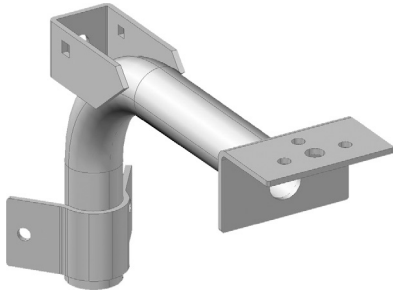
SST ROLL-125

1.25" Stainless steel band 100' roll.

FLOODLIGHT BRACKETS

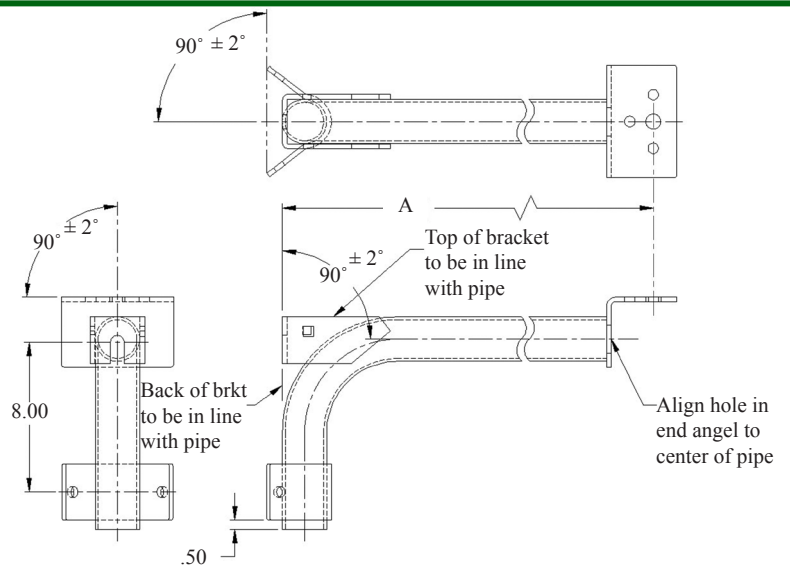
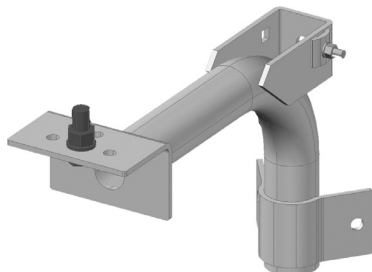
WB = With Mounting Bolt
 WBG = With Mounting Bolt and Ground Lug

Catalog Number	Dim. A
BAFL-16	16.00
BAFL-18	18.00
BAFL-20	20.00
BAFL-24	24.00



Catalog Number	Dim. A
BAFL-16 WB	16.00
BAFL-18 WB	18.00
BAFL-24 WB	24.00

Catalog Number	Dim. A
BAFL-16 WBG	16.00
BAFL-18 WBG	18.00



E-Equipment Mounts

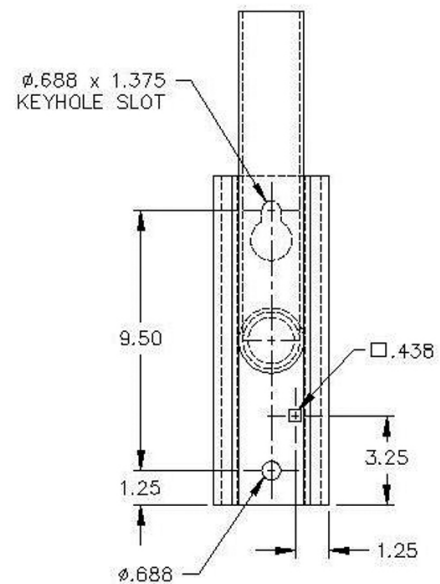
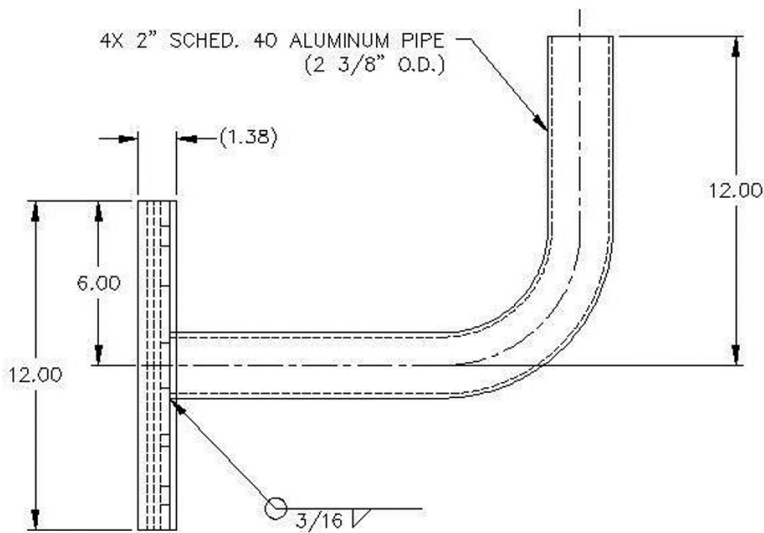
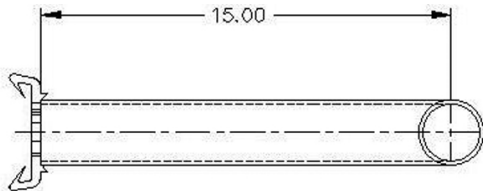
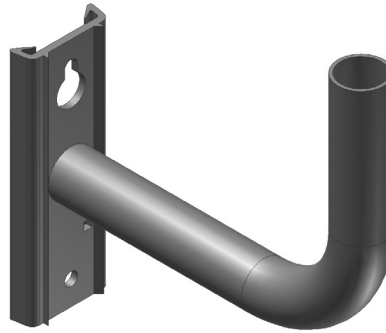
FLOODLIGHT BRACKETS

UPSWEEP FLOODLIGHT BRACKETS

Available in bronze or black finish.

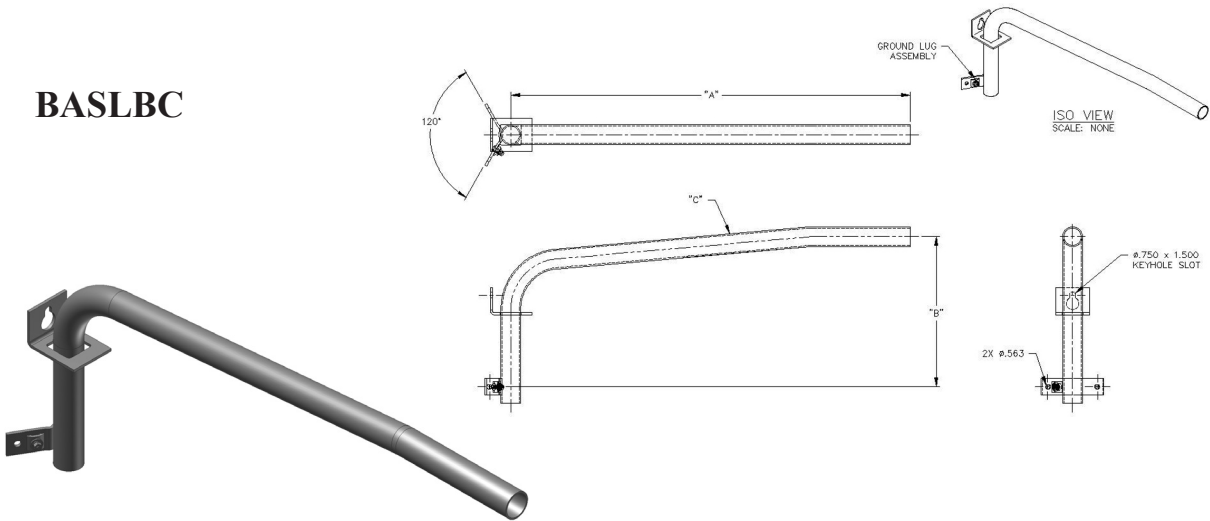
Note: Use suffix “-BRZ” for Bronze finish, “-BLK” for Black finish.

BAFLBU1512-2375R



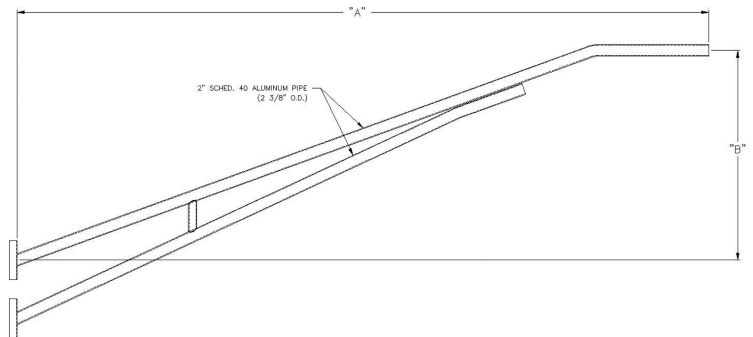
STREETLIGHT BRACKETS

BASLBC

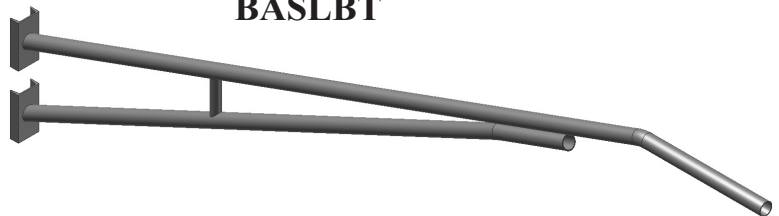


Catalog Number	A Inches	B Inches	C Inches
BASLBC2412-166D	24	12	1 1/4" Shed 40 Pipe (1 5/8" O.D)
BASLBC4818-2375	48	18	2" Shed 40 Pipe (2 3/8" O.D)
BASLBC9630-2375	96	30	2" Shed 40 Pipe (2 3/8" O.D)
BASLBC7260-2375	72	60	2" Shed 40 Pipe (2 3/8" O.D)
BASLBC12060-2375	120	60	2" Shed 40 Pipe (2 3/8" O.D)

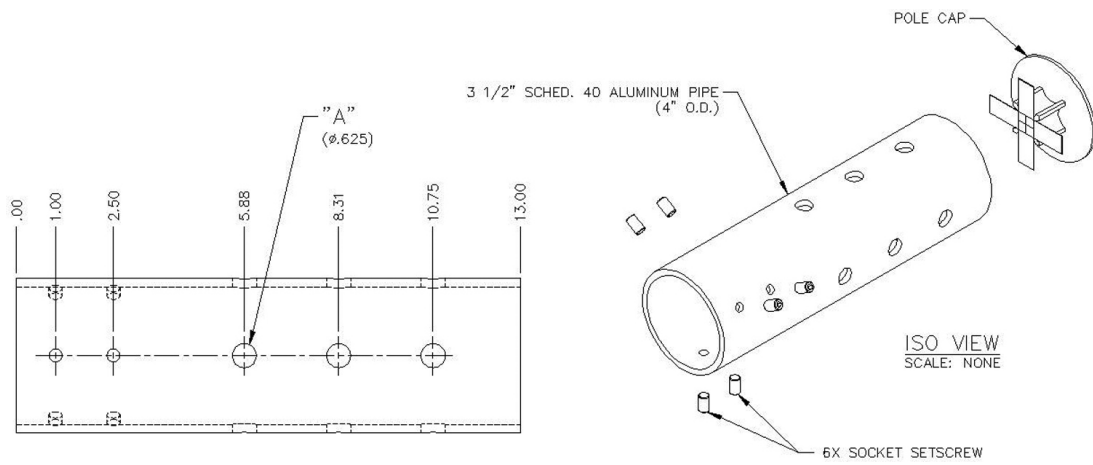
Catalog Number	A Inches	B Inches
BASLBT14442-2375	144	42
BASLBT19254-2375	192	54
BASLBT24066-2375	240	66



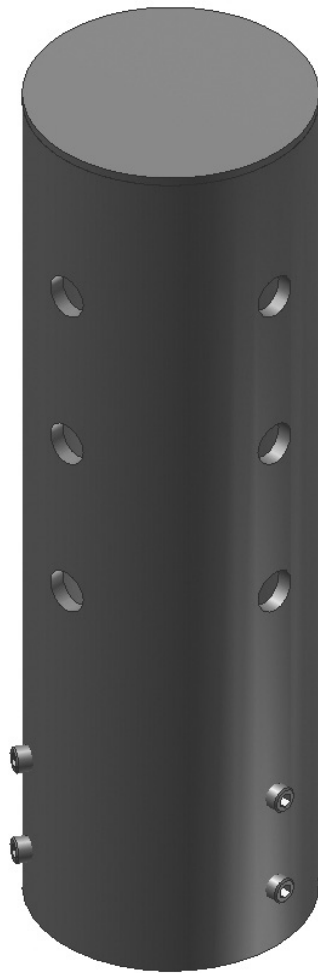
BASLBT



TENON ADAPTERS



BATA

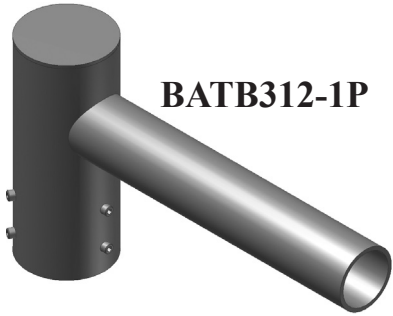


Consult the factory for the various sizes and configurations available.

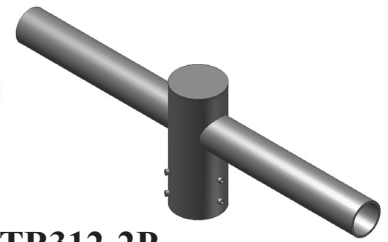
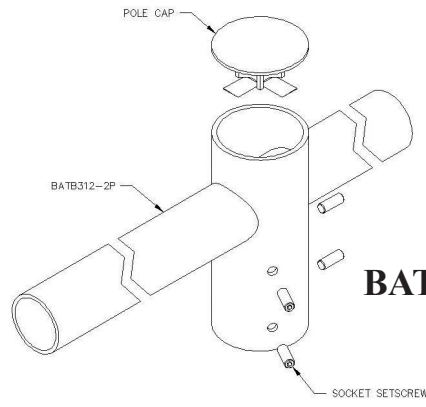
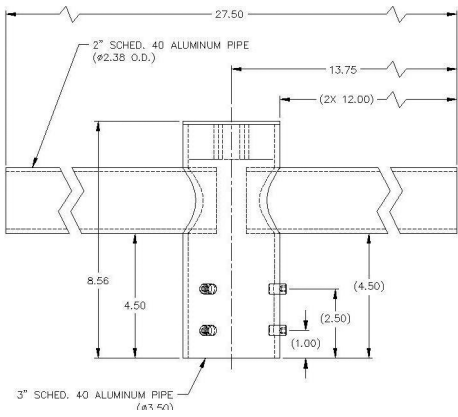
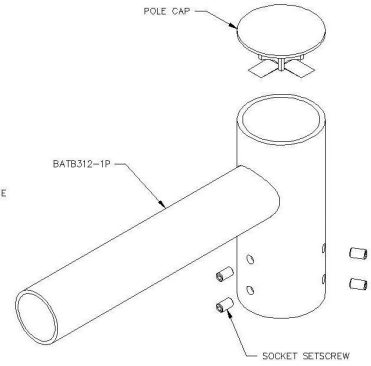
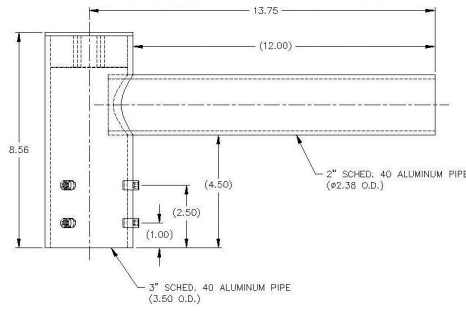
TENON ADAPTERS

Available in bronze or black finish.

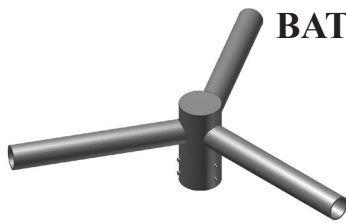
Note: Use suffix “-BRZ” for Bronze finish, “-BLK” for Black finish.



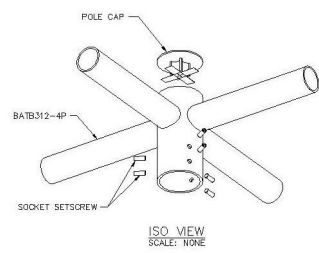
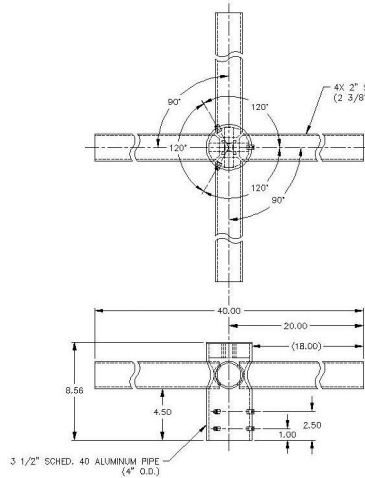
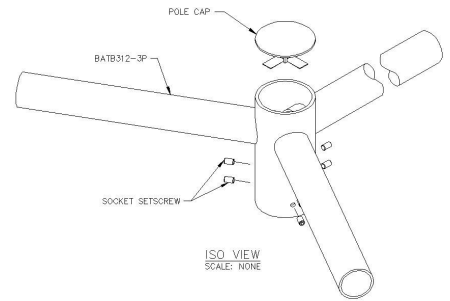
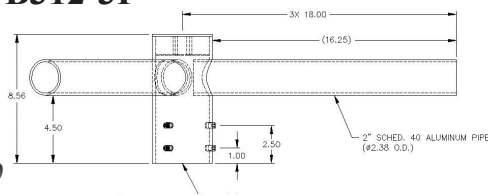
BATB312-1P



BATB312-2P



BATB312-3P



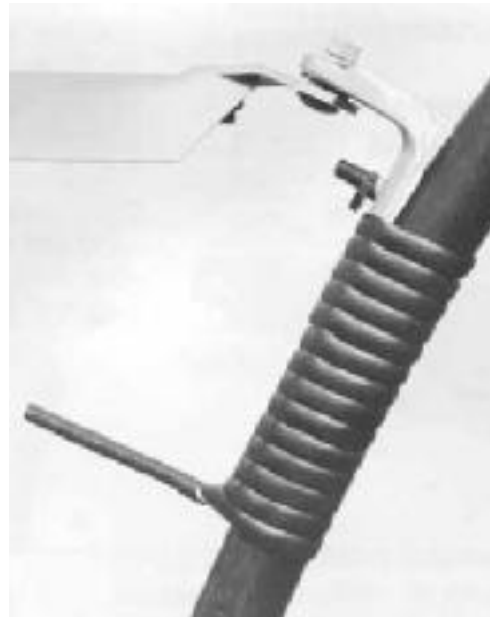
BATB312-4P

CABLE POSITIONER

Cable Positioner

Installed unit consists of an aluminum saddle, a polyethylene foam double coated bonding tape with pressure sensitive synthetic polymer (rubber based) adhesive, and a helically cut polyethylene cable tie. Accepts outside cable diameters 3/4" to 3".

BACS820KIT

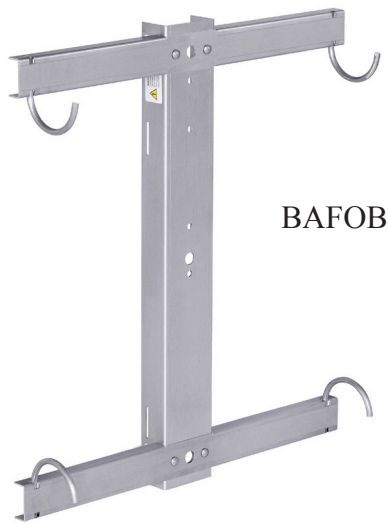


Installed

POLE MOUNT FIBER OPTIC BRACKET

LITESTOR™

- Made from **light weight** corrosion resistant aluminum (nearly 1/3 the weight of conventional steel designs)
- Large rounded hooks provide a means to store up to 150 feet of excess fiber optic cable for later use without the worry of sharp edges damaging the lines.
- Equipped with banding slots and through bolt keyholes, the BAFOB is designed to meet all of your most challenging mounting requirements
- **Designed with large project storage in mind** the BAFOB is shipped unassembled and boxed for convenient storage. Eight units fit in the 13" X 20" X 30" box (96 units per skid) and include all stainless-steel bagged hardware for quick field assembly
- Fully assembled the unit is just 26" wide x 29" tall
- All units come predrilled for use with most common splice case mounting



BAFOB

LITESTOR™ Catalog Number	Description
BAFOB	Bracket Only
BAFOB WB	Bracket Kit
BAFOB SBB	Splice box bracket only

BAFOB SBB



BAFOB WB

