

PRIMARY METER MOUNTS

BAPMM2

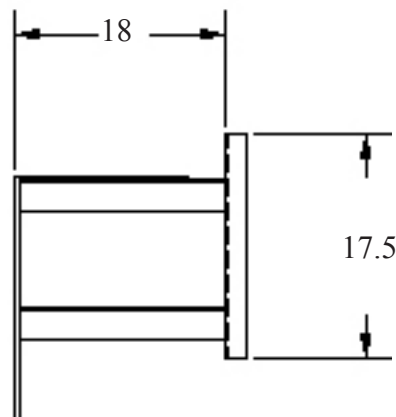
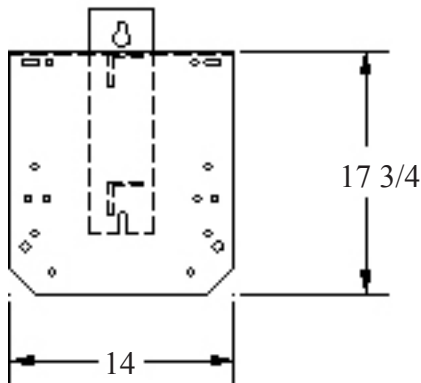
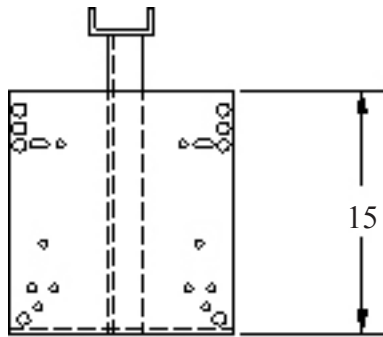
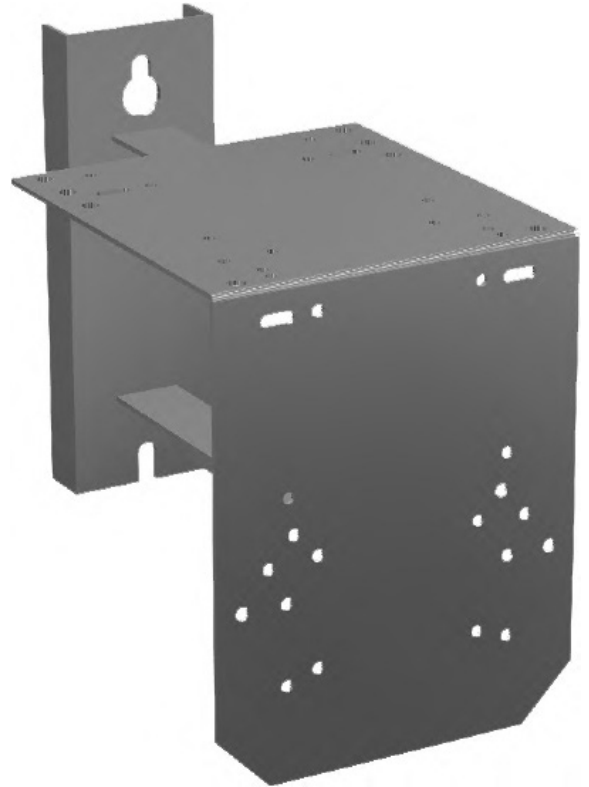
For mounting 1 VT and 1 CT

BAPMM2, 4, 6, and S-2

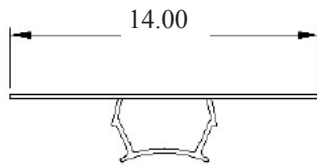
Recommended for mounting current and voltage transformers thru 25kv.

All aluminum construction for mounting current and voltage transformers for primary meter installations. Mount comes pre-punched ready to be made up in meter shop. Mounting channel is pre-punched for 5/8" thru bolts (not provided).

Recommended for mounting current and voltage transformers thru 25kv.



PRIMARY METER MOUNTS

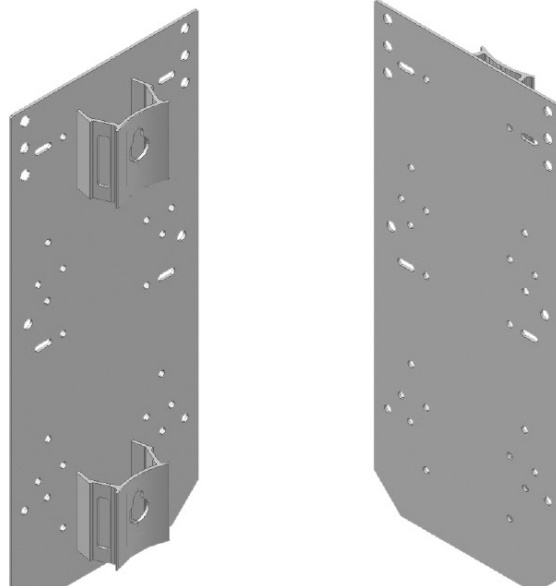
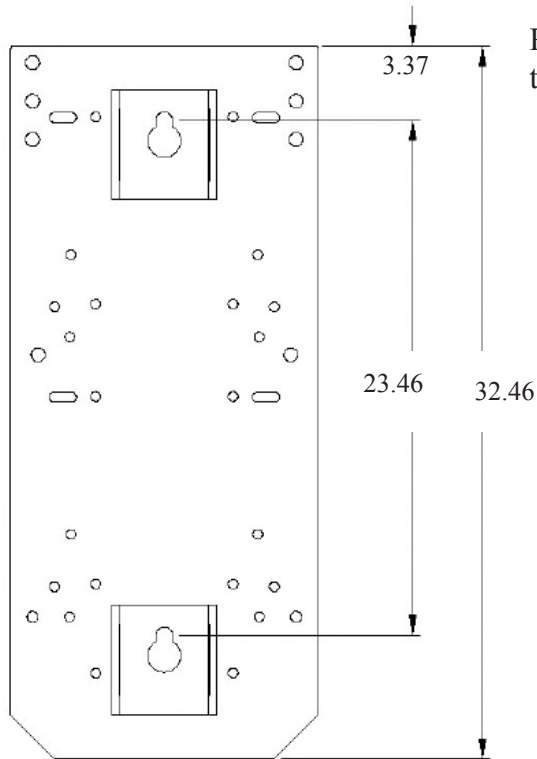


BAPMMS-2

For mounting 1 VT and 1 CT (Straight)

BAPMM2, 4, 6, and S-2

Recommended for mounting current and voltage transformers thru 25kv.



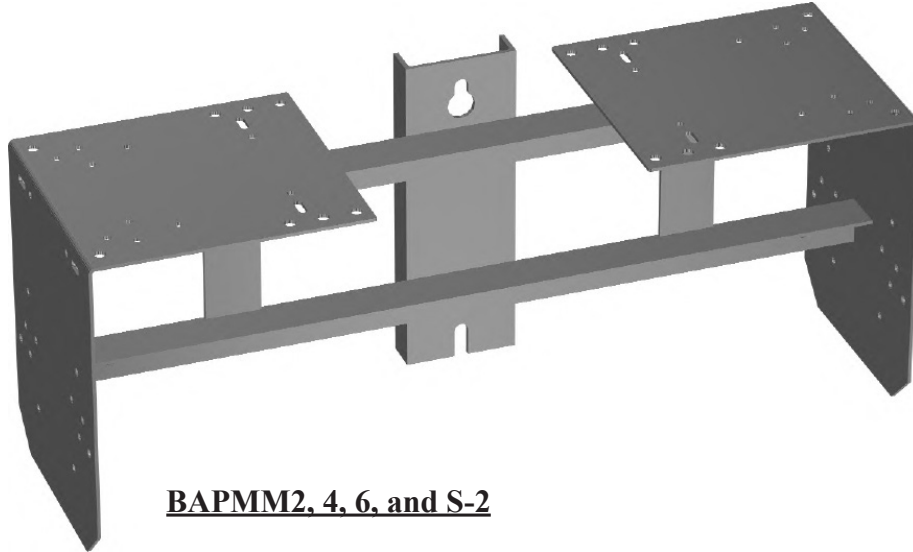
All aluminum construction for mounting current and voltage transformers for primary meter installations. Mount comes pre-punched ready to be made up in meter shop at no extra cost. Mounts have back channel welded to mount for strength. Channel is pre-punched for 5/8" thru-bolts (not provided).

Recommended for mounting current and voltage transformers thru 25kv.

PRIMARY METER MOUNTS

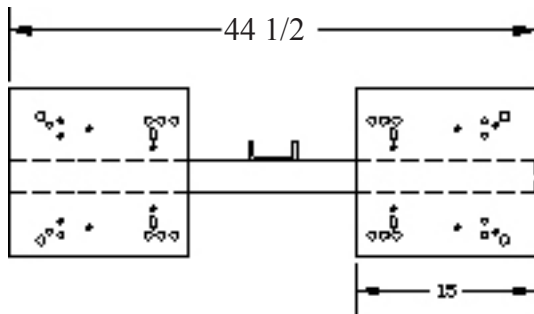
BAPMM4

For mounting 2 VTs and 2 CTs



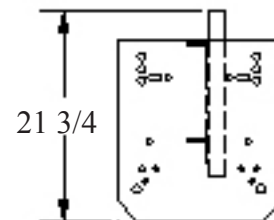
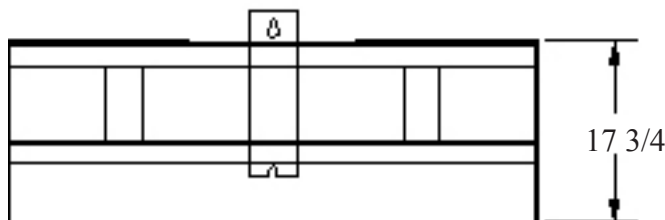
BAPMM2, 4, 6, and S-2

Recommended for mounting current and voltage transformers thru 25kv.



All aluminum construction for mounting current and voltage transformers for primary meter installations. Mount comes pre-punched, ready to be made up in the meter shop. Mounting channel is pre-punched for 5/8" thru-bolts (not provided).

Recommended for mounting current and voltage transformers thru 25kv.

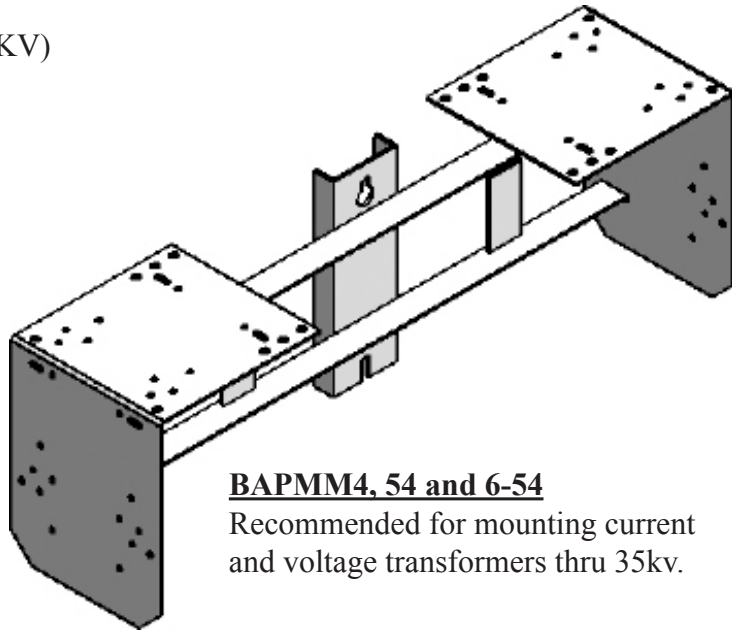


PRIMARY METER MOUNTS

BAPMM4-54

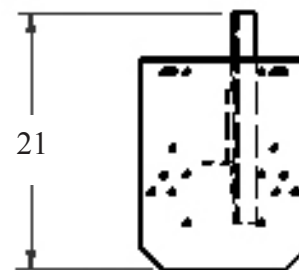
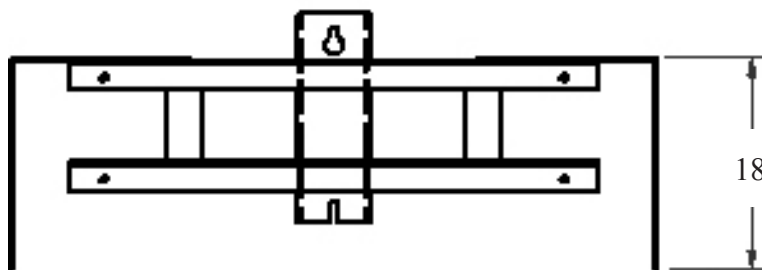
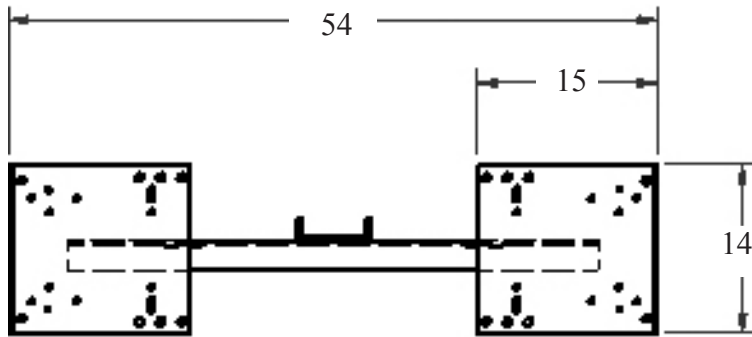
For 2 VTs and 2 CTs racks 54" long (35KV)

All aluminum construction for mounting current and voltage transformers for primary meter installations. Mount comes pre-punched, ready to be made up in the meter shop. Mounting channel is pre-punched for 5/8" thru-bolts (not provided).

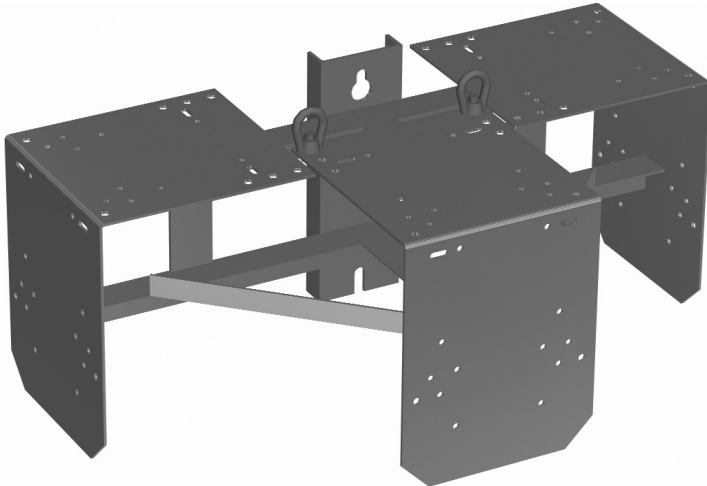


BAPMM4, 54 and 6-54

Recommended for mounting current and voltage transformers thru 35kv.



PRIMARY METER MOUNTS

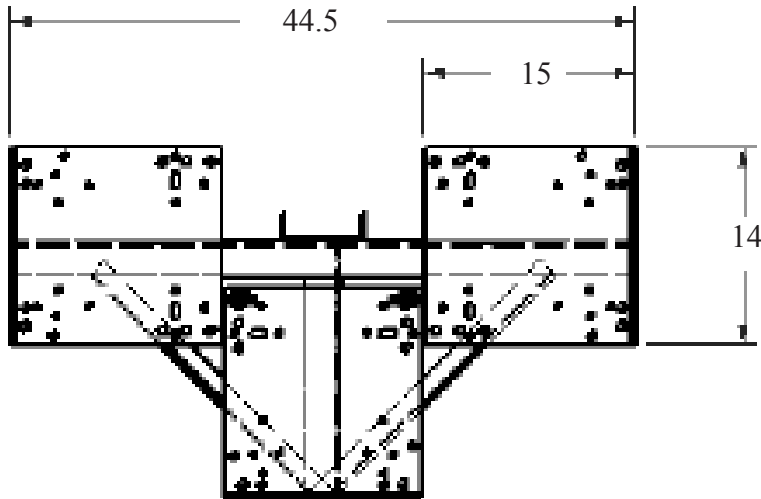


BAPMM6

For mounting 3 VTs and 3 CTs (25KV)

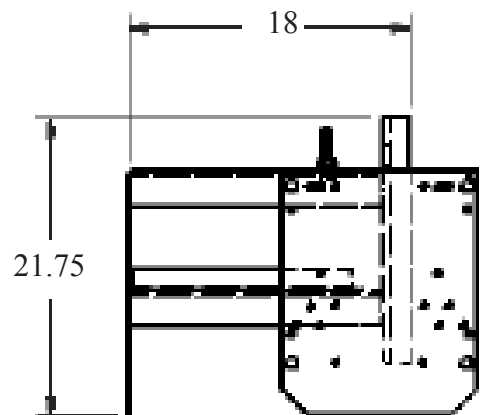
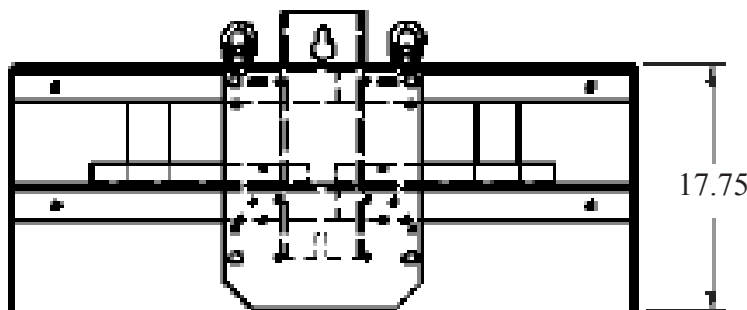
BAPMM2, 4, 6, and S-2

Recommended for mounting current and voltage transformers thru 25kv.



All aluminum construction for mounting current and voltage transformers for primary meter installations. Mount comes pre-punched, ready to be made up in meter shop. Mounting channel is pre-punched for 5/8" thru-bolts (not provided).

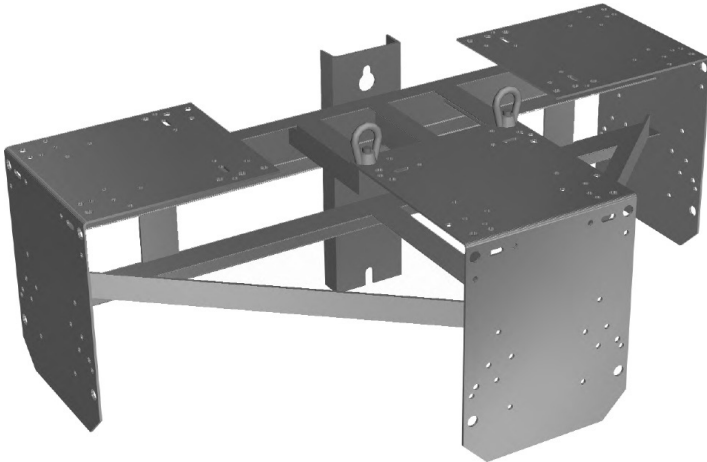
Recommended for mounting current and voltage transformers thru 25kv.



PRIMARY METER MOUNTS

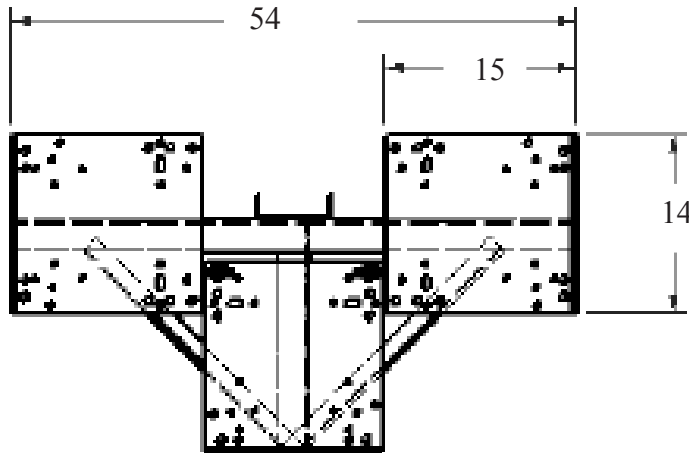
BAPMM6-54

For 3 VTs and 3 CTs (35KV)

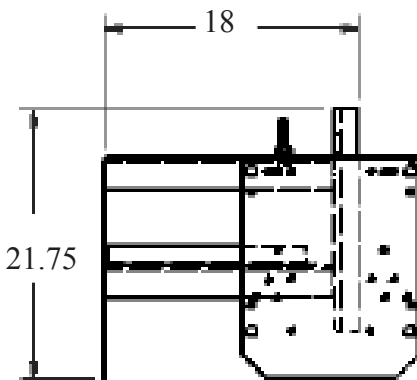
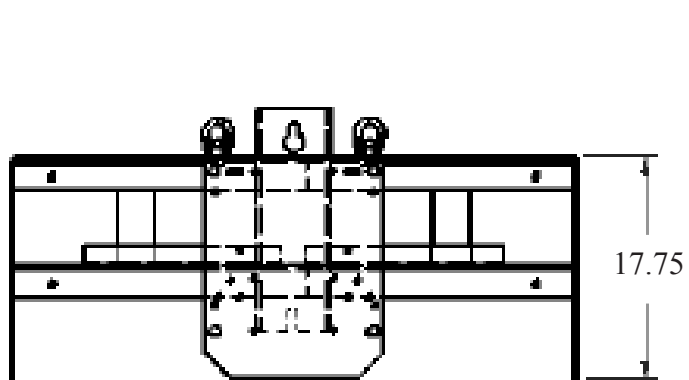


BAPMM4, 54 and 6-54

Recommended for mounting current and voltage transformers thru 35kv.



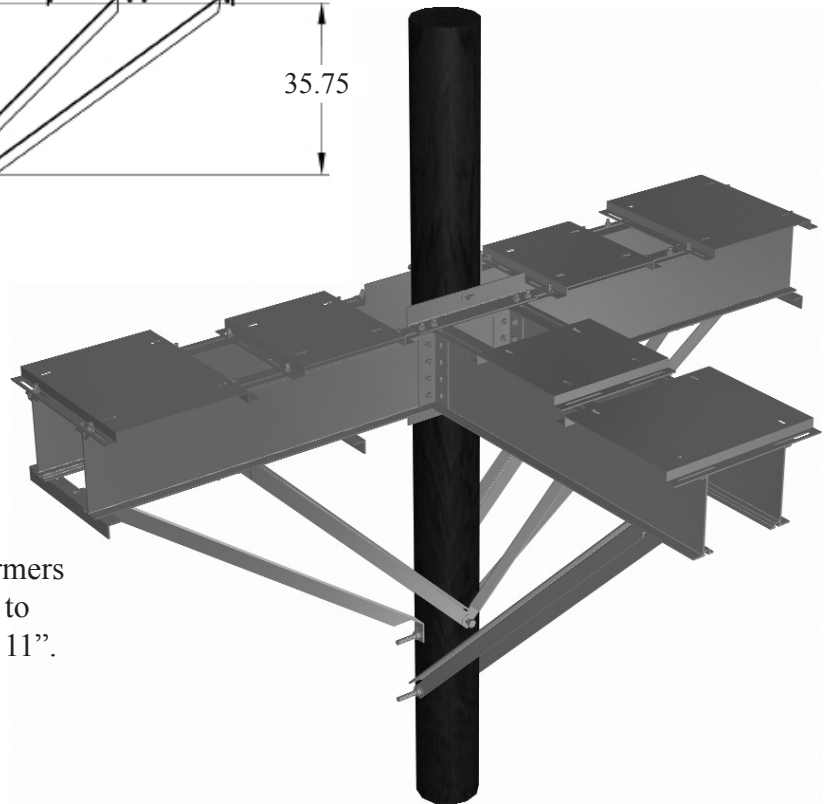
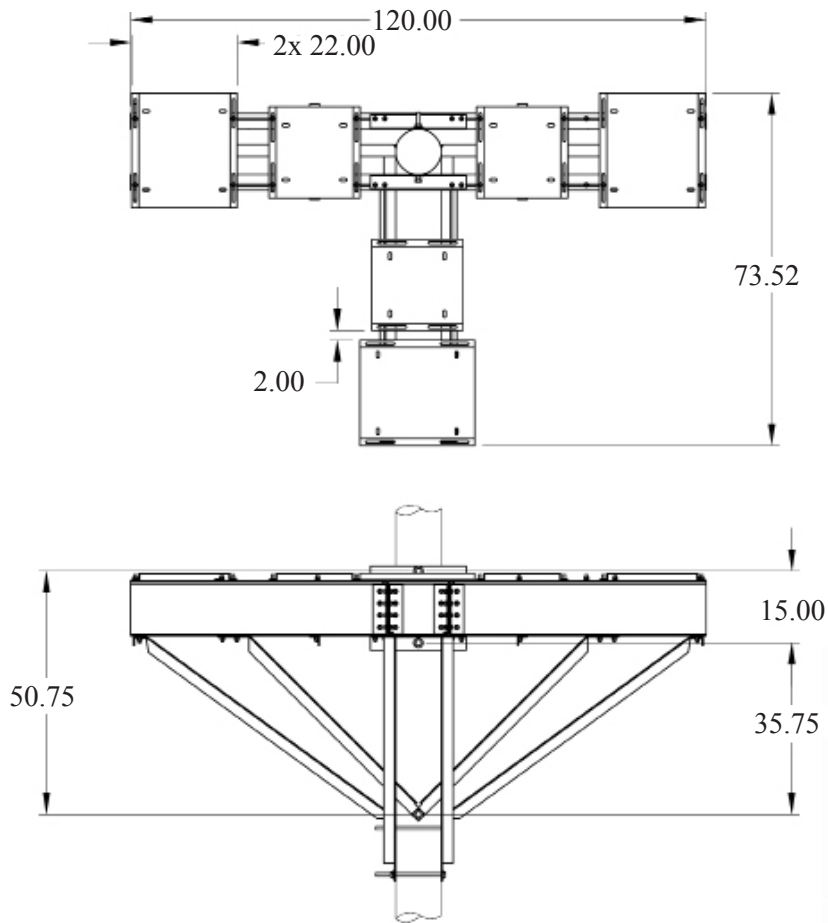
- Lightweight aluminum construction (6061-T6 Alloy).
- For mounting 3 current transformers and 3 voltage transformers thru 35 kva primary metering installation.
- Mount comes pre-punched and pre-drilled for easy, speedy installation of transformers in the meter shop with provisions for mounting up to 6 lightning arrestors (5/8" diameter hole).
- Lifting eyes (eye nuts) are supplied.
- Can be supplied with terminal box on front or rear of mount (contact your rep).
- Can be mounted on concrete, steel, or wood poles with stainless steel band or with two 3/4" thru-bolts (not supplied).
- Mounting plates are slotted and punched for 3/8" diameter bolts for mounting meter equipment.



HEAVY DUTY PRIMARY METER MOUNTING BRACKET

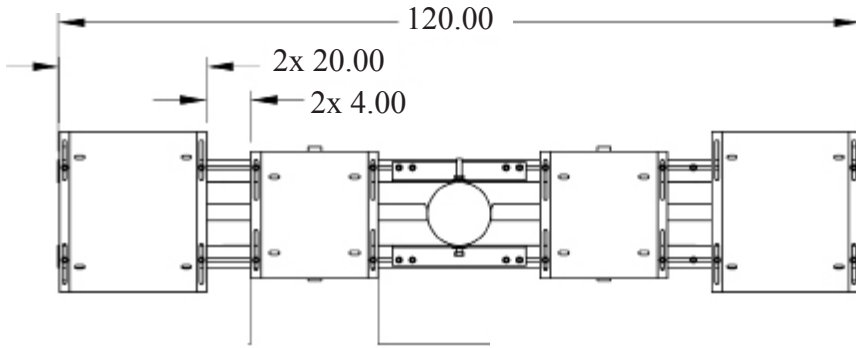
BAAM3PT3CT35

PRIMARY METER
MOUNTING
BRACKET 69Kv FOR 3
PT'S AND 3 CT'S



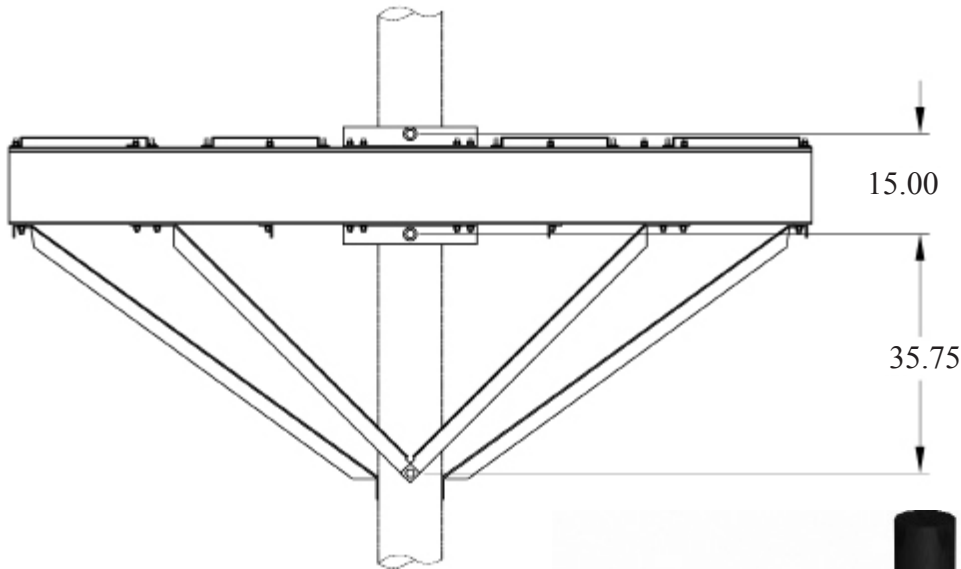
For mounting 3 current transformers
and 3 potential transformers up to
69Kv fits pole diameter 9" thru 11".

HEAVY DUTY PRIMARY METER MOUNTING BRACKET



BAAM2PT2CT35

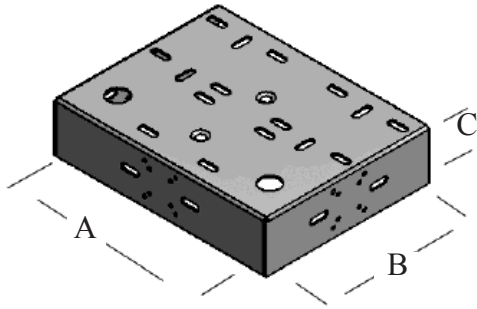
PRIMARY METER
MOUNTING
BRACKET
69Kv FOR 2 PT'S
AND 2 CT'S



For mounting 2 current transformers
and 3 potential transformers up to
69Kv fits pole diameter 9" thru 11".



STANDOFF MOUNTING BRACKETS FOR CURRENT AND VOLTAGE TRANSFORMERS

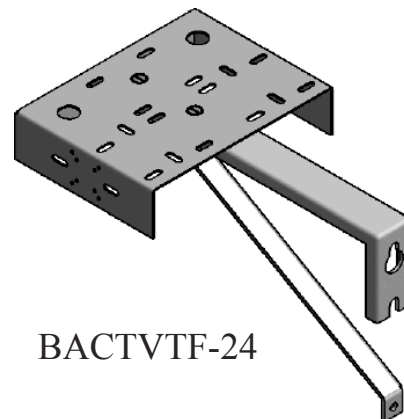
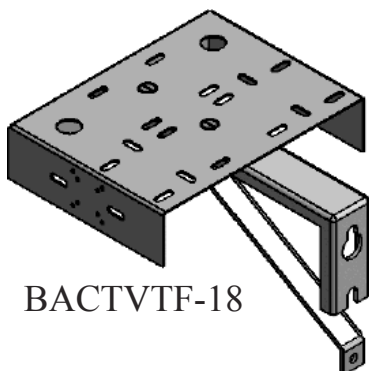
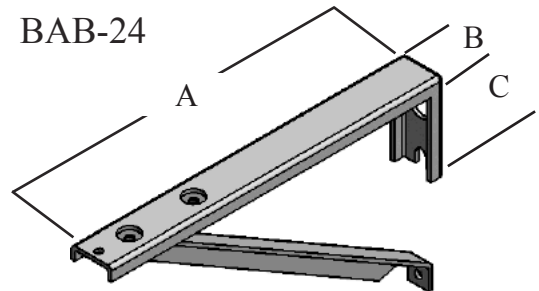
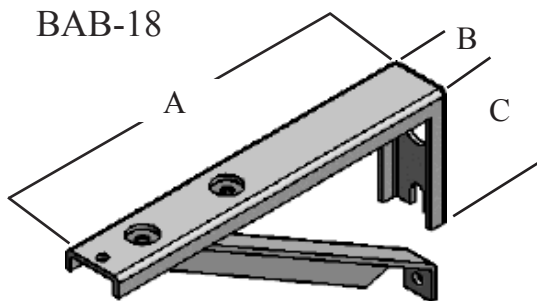


BACTVTF
(Plate)

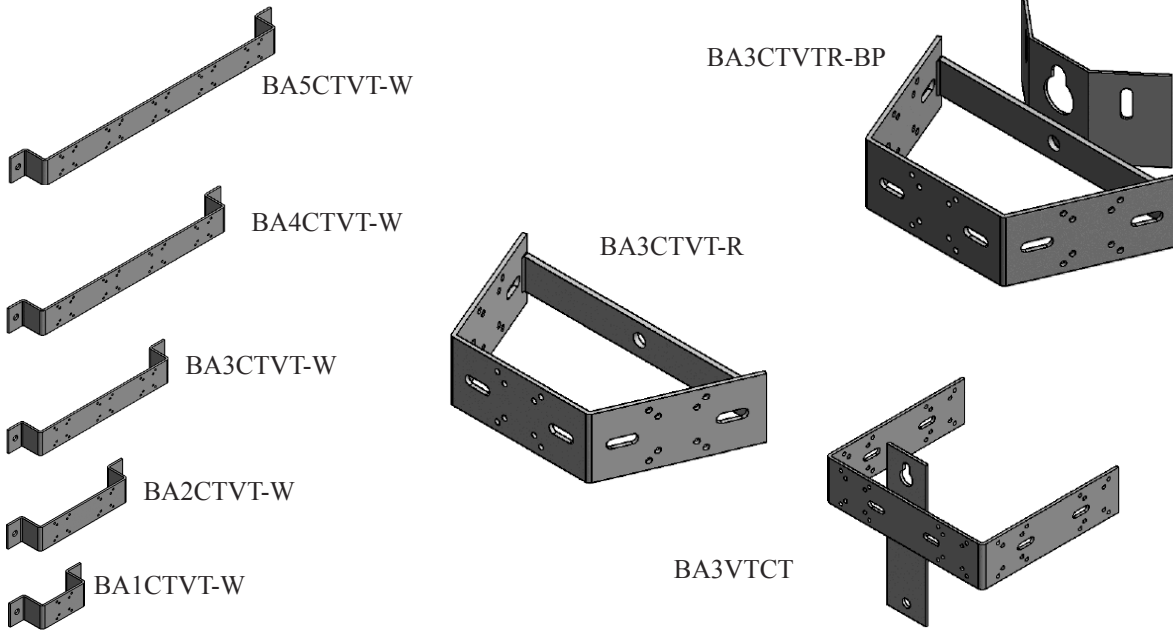
Designed to be used with three 600 volt class voltage transformers and three current transformers.

Unit is designed to be mounted on a wall or a pole.

Catalog Number	A	B	C	Description
BAB12	12"	3"	6"	Bar
BAB18	18"	3"	6"	Bar and Brace
BAB24	24"	3"	6"	Bar and Brace
BACTVTF	15"	11 1/2"	3 1/2"	Plate
BACTVTF-12	Plate and BAB12 Bar			
BACTVTF-18	Plate, BAB18 Bar and Brace			
BACTVTF-24	Plate, BAB24 Bar and Brace			



INSTRUMENT TRANSFORMER MOUNTING BRACKETS



Catalog Number	Description	Material
BA1CTVT-W	Brackets for 1 CT or 1 VT	.190" x 3" Aluminum
BA2CTVT-W	Brackets for 2 CT's or 2 VT's	.190" x 3" Aluminum
BA3CTVT-W	Brackets for 3 CT's or 3 VT's	1/4" x 3" Aluminum
BA4CTVT-W	Brackets for 4 CT's or 4 VT's	1/4" x 3" Aluminum
BA5CTVT-W	Brackets for 5 CT's or 5 VT's	1/4" x 3" Aluminum
BA3CTVT-R	Brackets for 3 CT's or 3 VT's on W/P/R	.190" x 3" & 1/4" x 1 1/2"
BA3CTVTR-BP	Brackets for 3 CT's or 3 VT's /Back Plate	.190" x 3" & .190" x 4" Back
BA3VTCT	Brackets for 3 CT's or 3 VT's	1/4" x 3" Aluminum
BA3AAB	3" Angle Adaptor	3/16" Angle Aluminum

BA3VTCT

Bracket is designed to be used with three 600 volt class voltage transformers and three current transformers. This unit is designed to be mounted on conduit riser or on a pole.

BACTVT-W, BACTVT-R & BACTVT-F

Designed to be put on wall, pole, or riser with one or two mast clamps. CT-W Bracket will fit standard four-hole current transformers with two-hole base plate.

BA3AAB

Bracket is designed to put a BA3CTVT-R bracket on a BAB arm.

