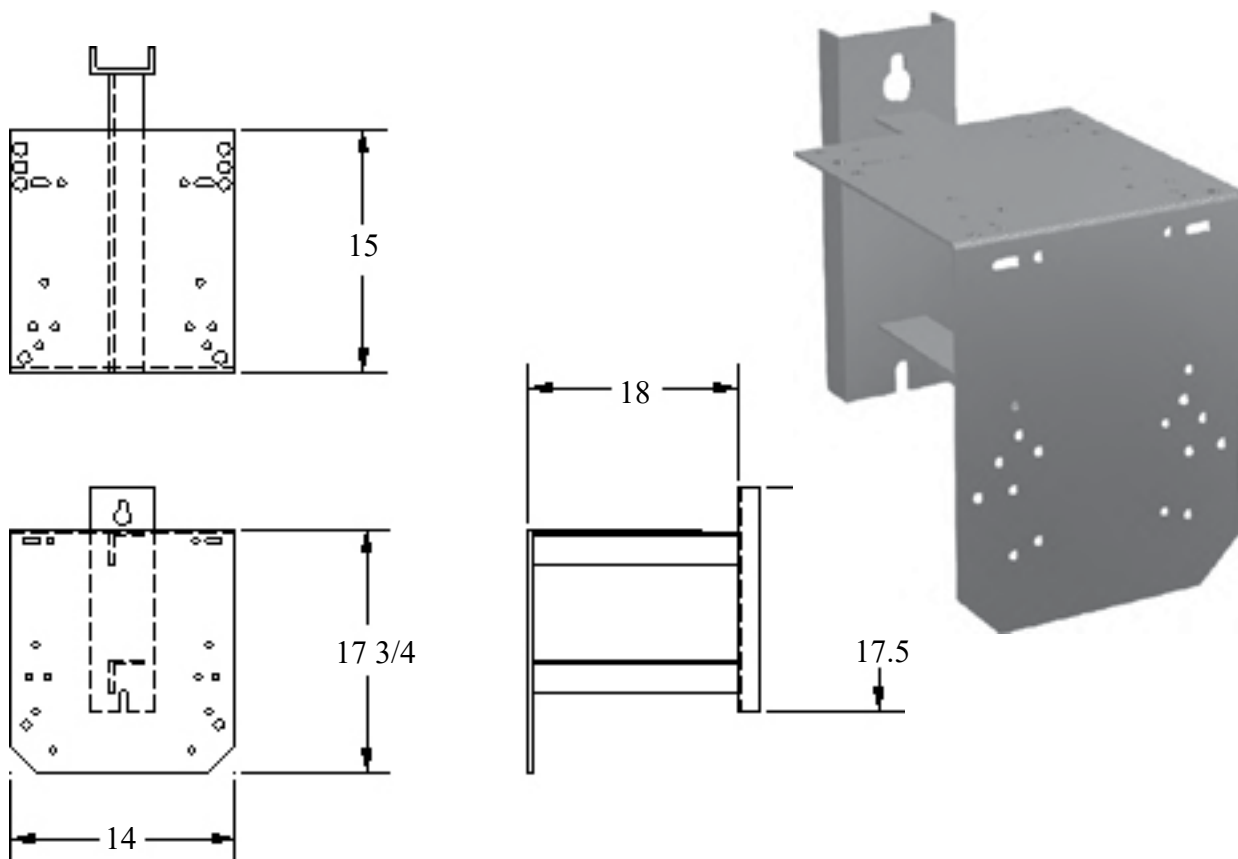


PRIMARY METER MOUNTS

BAPMM2

For mounting 1 VT and 1 CT

- Recommended for mounting current and voltage transformers thru 25kv.
- All aluminum construction for mounting current and voltage transformers for primary meter installations. Mount comes pre-punched ready to be made up in meter shop.
- Mounting channel is pre-punched for 5/8" thru bolts (not provided).



Maximum Recommended Equipment Load 3,000lbs per position while loading bracket top mounting locations.

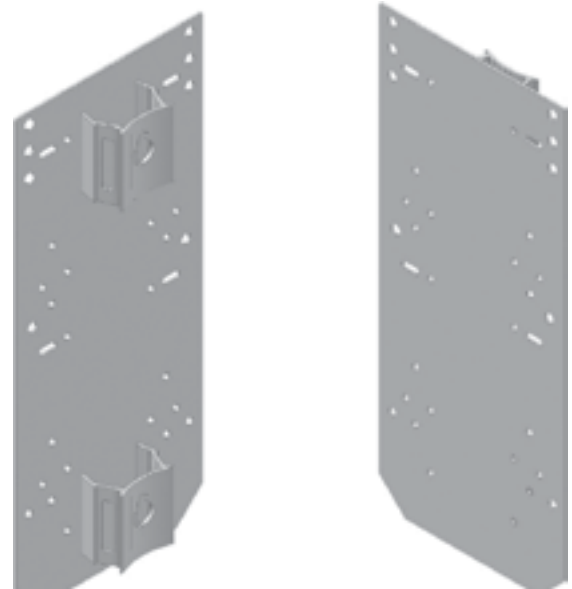
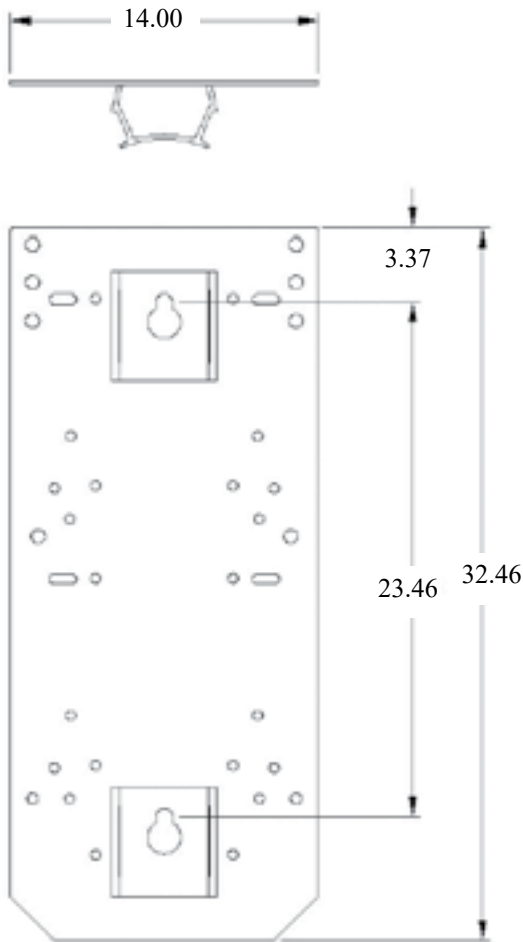
Should not exceed 1,000lbs on front mounting face with equipment COG not more than 12in horizontally offset from bracket front face. (NOTE): all front face loads must be counted towards top load.

Wind, seismic, or other resonant load is not considered in above calculations.

PRIMARY METER MOUNTS

BAPMMS-2

For mounting 1 VT and 1 CT (Straight)



- Recommended for mounting current and voltage transformers thru 25kv.
- All aluminum construction for mounting current and voltage transformers for primary meter installations. Mount comes pre-punched ready to be made up in meter shop.
- Mounting channel is pre-punched for 5/8" thru bolts (not provided).

Should not exceed 1,000lbs on front mounting face with equipment COG not more than 12in horizontally offset from bracket front face. (NOTE): all front face loads must be counted towards top load.

Wind, seismic, or other resonant load is not considered in above calculations.

PRIMARY METER MOUNTS

BAPMM4

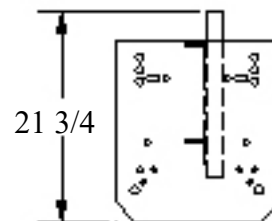
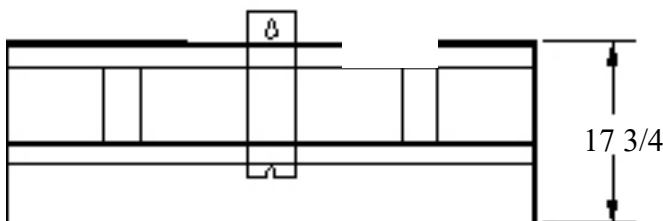
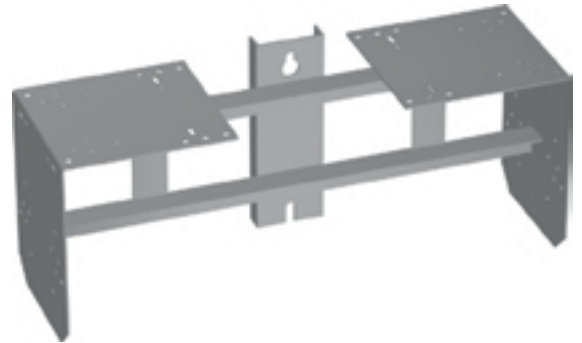
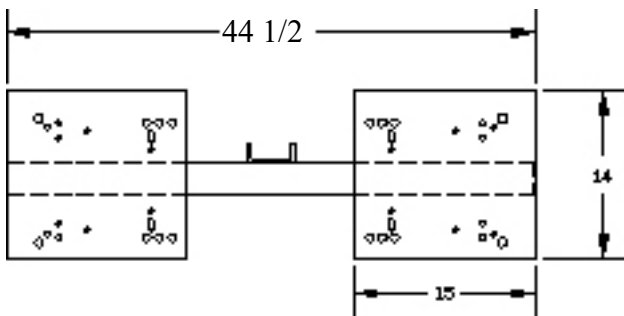
For mounting 2 VTs and 2 CTs

- Recommended for mounting current and voltage transformers thru 25kv.
- All aluminum construction for mounting current and voltage transformers for primary meter installations. Mount comes pre-punched ready to be made up in meter shop.
- Mounting channel is pre-punched for 5/8" thru bolts (not provided).

Maximum Recommended Equipment Load 3,000lbs per position while loading bracket top mounting locations.

Should not exceed 1,000lbs on front mounting face with equipment COG not more than 12in horizontally offset from bracket front face. (NOTE): all front face loads must be counted towards top load.

Wind, seismic, or other resonant load is not considered in above calculations.

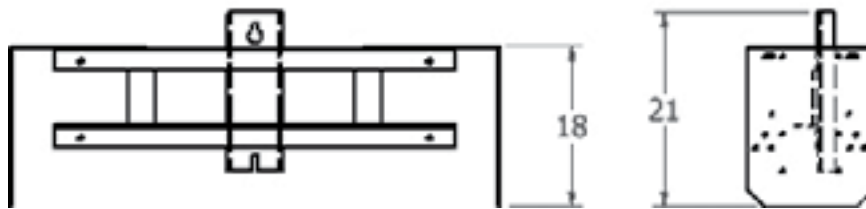
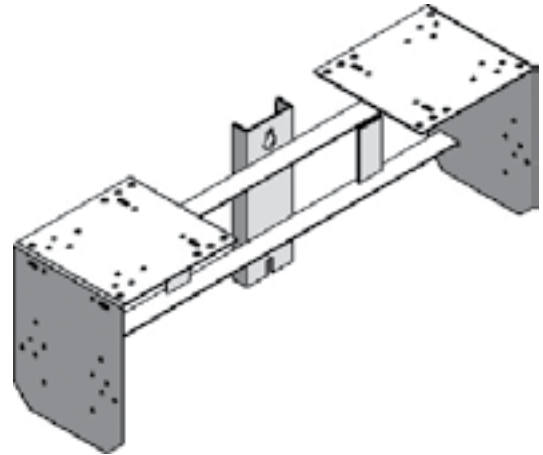
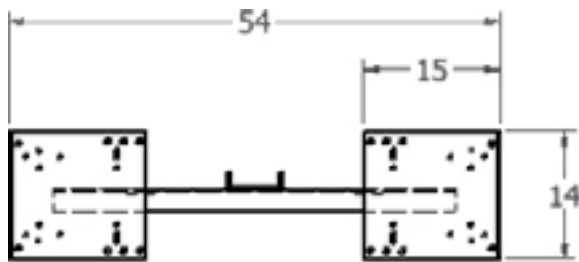


PRIMARY METER MOUNTS

BAPMM4-54

For 2 VTs and 2 CTs racks 54" long (for mounting thru 35KV)

All aluminum construction for mounting current and voltage transformers for primary meter installations. Mount comes pre-punched, ready to be made up in the meter shop.



- Recommended for mounting current and voltage transformers thru 35kv.
- All aluminum construction for mounting current and voltage transformers for primary meter installations. Mount comes pre-punched ready to be made up in meter shop.
- Mounting channel is pre-punched for 5/8" thru bolts (not provided).

Maximum Recommended Equipment Load 3,000lbs per position while loading bracket top mounting locations.

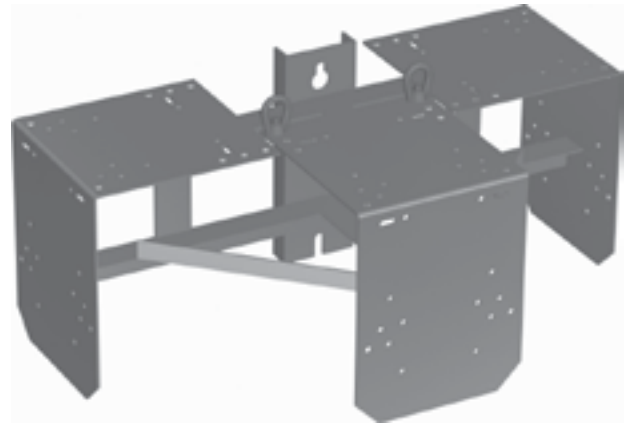
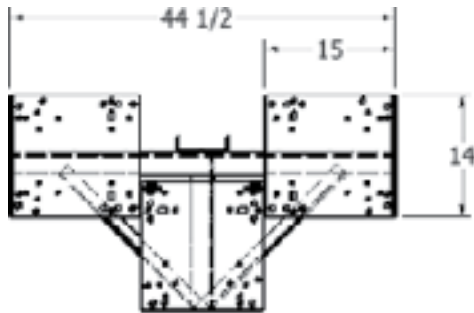
Should not exceed 1,000lbs on front mounting face with equipment COG not more than 12in horizontally offset from bracket front face. (NOTE): all front face loads must be counted towards top load.

Wind, seismic, or other resonant load is not considered in above calculations.

PRIMARY METER MOUNTS

BAPMM6

For mounting 3 VTs and 3 CTs
(25KV)



- Recommended for mounting current and voltage transformers thru 25kv.
- All aluminum construction for mounting current and voltage transformers for primary meter installations. Mount comes pre-punched ready to be made up in meter shop.
- Mounting channel is pre-punched for 5/8" thru bolts (not provided).

Maximum Recommended Equipment Load 3,000lbs per position while loading bracket top mounting locations.

Should not exceed 1,000lbs on front mounting face with equipment COG not more than 12in horizontally offset from bracket front face. (NOTE): all front face loads must be counted towards top load.

Wind, seismic, or other resonant load is not considered in above calculations.

PRIMARY METER MOUNTS

BAPMM6-54

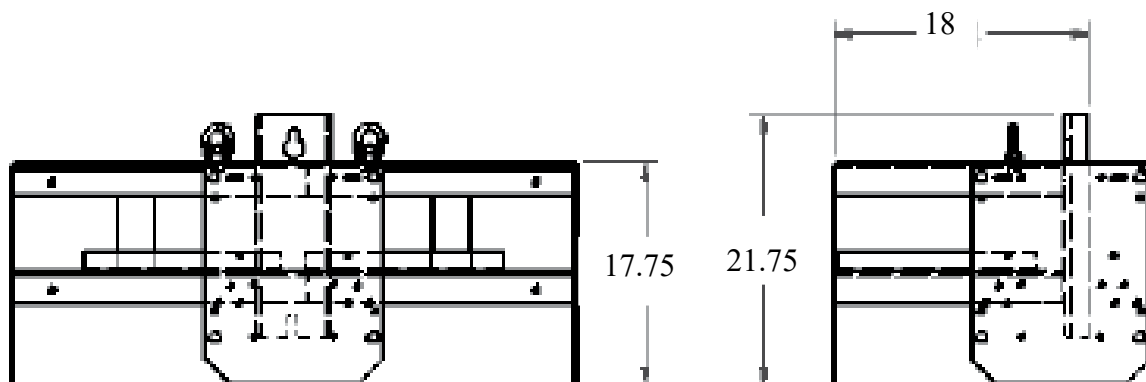
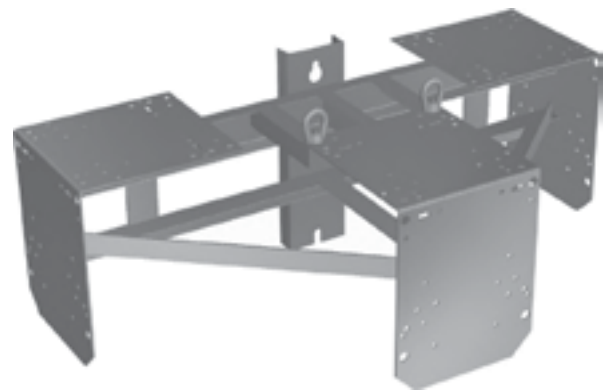
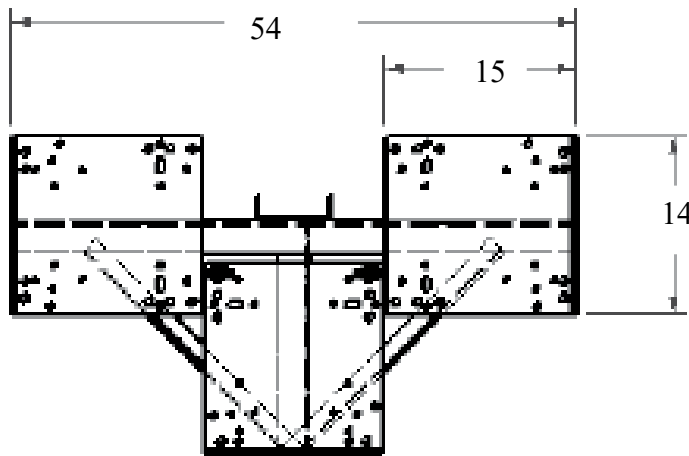
For 3 VTs and 3 CTs (35KV)

- Lightweight aluminum construction (6061-T6 Alloy).
- For mounting 3 current transformers and 3 voltage transformers thru 35 kva primary metering installation.
- Mount comes pre-punched and pre-drilled for easy, speedy installation of transformers in the meter shop with provisions for mounting up to 6 lightning arrestors (5/8" diameter hole).
- Lifting eyes (eye nuts) are supplied.
- Can be supplied with terminal box on front or rear of mount (contact your rep).
- Can be mounted on concrete, steel, or wood poles with stainless steel band or with two 3/4" thru-bolts (not supplied).
- Mounting plates are slotted and punched for 3/8" diameter bolts for mounting meter equipment.
- Recommended for mounting current and voltage transformers thru 35kv.

Maximum Recommended Equipment Load 3,000lbs per position while loading bracket top mounting locations.

Should not exceed 1,000lbs on front mounting face with equipment COG not more than 12in horizontally offset from bracket front face. (NOTE): all front face loads must be counted towards top load.

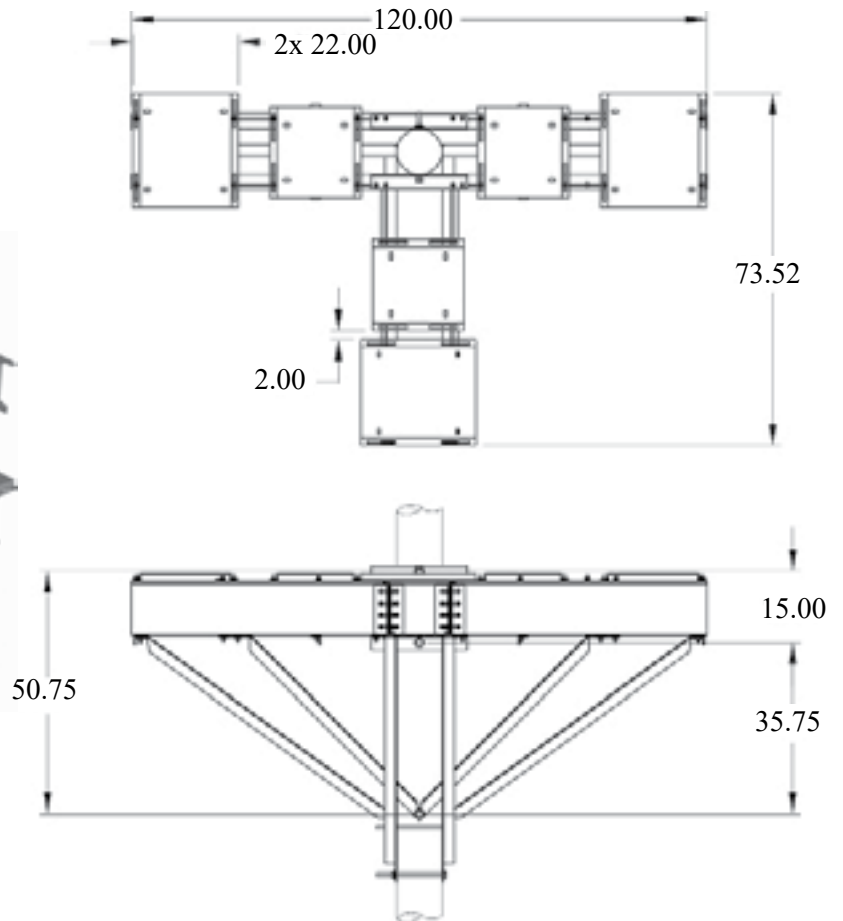
Wind, seismic, or other resonant load is not considered in above calculations.



HEAVY DUTY PRIMARY METER MOUNTING BRACKET

BAAM3PT3CT35

PRIMARY METER MOUNTING BRACKET 69Kv FOR 3 PT'S AND 3 CT'S



For mounting 3 current transformers and 3 potential transformers up to 69Kv fits pole diameter 9" thru 11".

- All aluminum construction for mounting current and voltage transformers for primary meter installations. Mount comes pre-punched ready to be made up in meter shop.
- Mounting channel is pre-punched for 5/8" thru bolts (not provided).

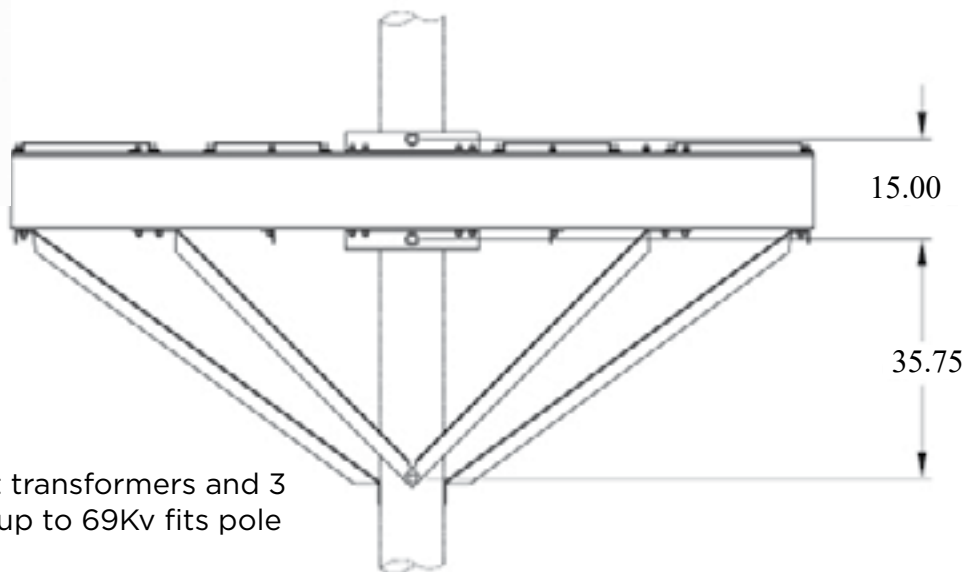
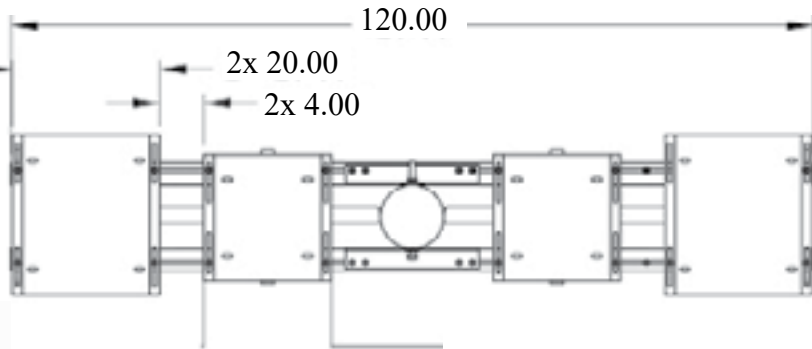
Maximum Recommended Equipment Load 3,000lbs per position while loading bracket top mounting locations.

Wind, seismic, or other resonant load is not considered in above calculations.

HEAVY DUTY PRIMARY METER MOUNTING BRACKET

BAAM2PT2CT35

PRIMARY METER MOUNTING BRACKET
69Kv FOR 2 PT'S AND 2 CT'S



For mounting 2 current transformers and 3 potential transformers up to 69Kv fits pole diameter 9" thru 11".

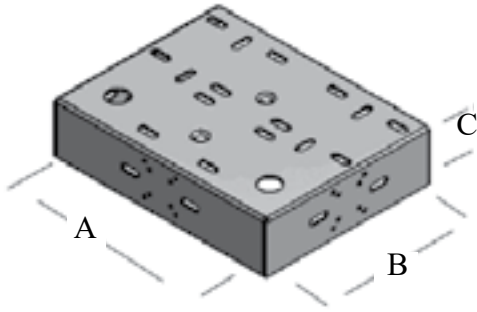
- All aluminum construction for mounting current and voltage transformers for primary meter installations. Mount comes pre-punched ready to be made up in meter shop.
- Mounting channel is pre-punched for 5/8" thru bolts (not provided).
- Maximum Recommended Equipment Load 3,000lbs per position while loading bracket top mounting locations.

Maximum Recommended Equipment Load 3,000lbs per position while loading bracket top mounting locations.

Wind, seismic, or other resonant load is not considered in above calculations.

STANDOFF MOUNTING BRACKETS

FOR CURRENT AND VOLTAGE TRANSFORMERS



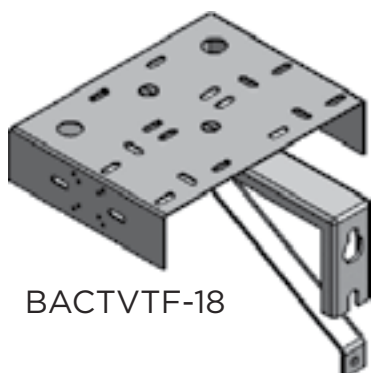
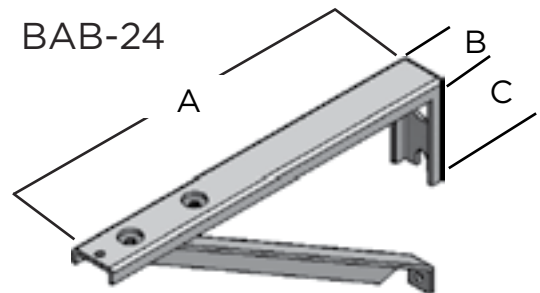
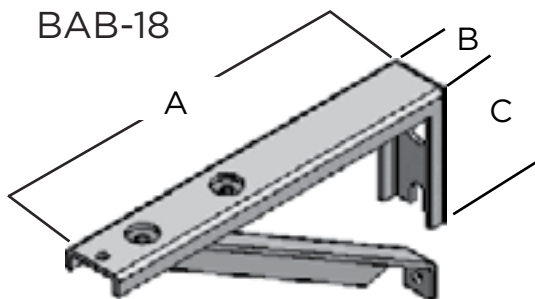
BACTVTF
(Plate)

Designed to be used with three 600 volt class voltage transformers and three current transformers.

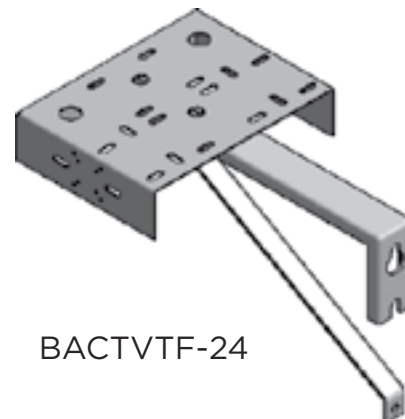
Unit is designed to be mounted on a wall or a pole.

Catalog Number	A	B	C	Description
BAB12	12"	3"	6"	Bar
BAB18	18"	3"	6"	Bar and Brace
BAB24	24"	3"	6"	Bar and Brace

BACTVTF-12	Plate and BAB12 Bar			
BACTVTF-18	Plate, BAB18 Bar and Brace			
BACTVTF-24	Plate, BAB24 Bar and Brace			

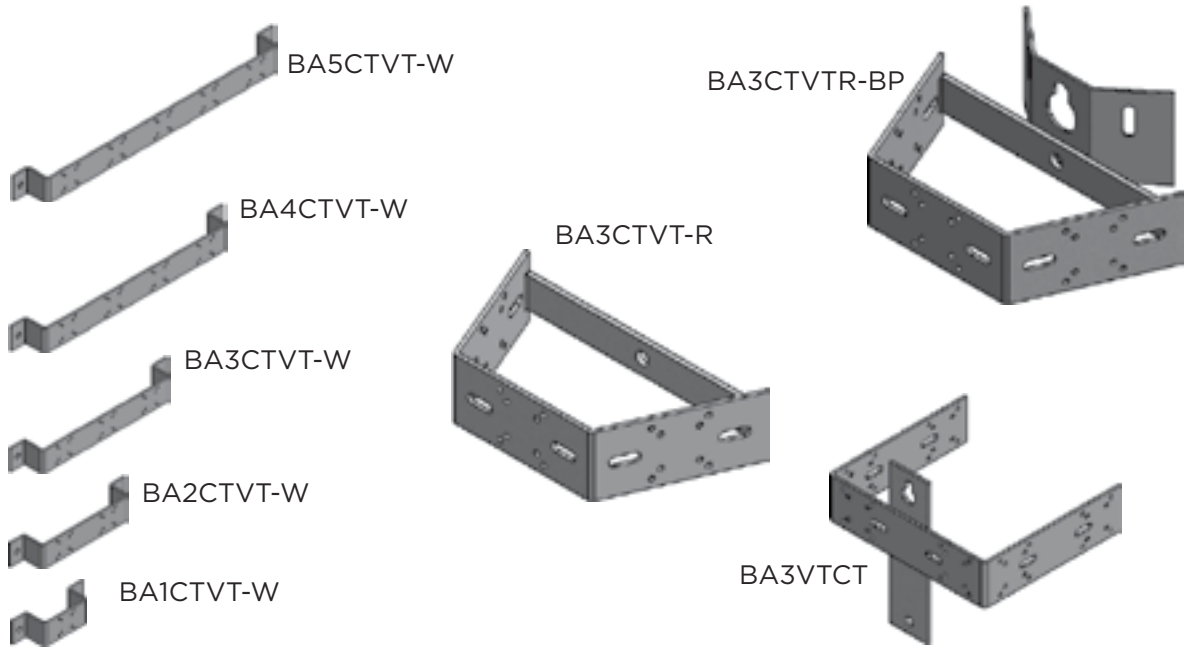


BACTVTF-18



BACTVTF-24

INSTRUMENT TRANSFORMER MOUNTING BRACKETS



Catalog Number	Description	Material
BA1CTVT-W	Brackets for 1 CT or 1 VT	.190" x 3" Aluminum
BA2CTVT-W	Brackets for 2 CT's or 2 VT's	.190" x 3" Aluminum
BA3CTVT-W	Brackets for 3 CT's or 3 VT's	1/4" x 3" Aluminum
BA4CTVT-W	Brackets for 4 CT's or 4 VT's	1/4" x 3" Aluminum
BA5CTVT-W	Brackets for 5 CT's or 5 VT's	1/4" x 3" Aluminum
BA3CTVT-R	Brackets for 3 CT's or 3 VT's on W/P/R	.190" x 3" & 1/4" x 11/2"
BA3CTVTR-BP	Brackets for 3 CT's or 3 VT's /Back Plate	.190" x 3" & .190" x 4" Back
BA3VTCT	Brackets for 3 CT's or 3 VT's	1/4" x 3" Aluminum
BA3AAB	3" Angle Adaptor	3/16" Angle Aluminum

BA3VTCT

Bracket is designed to be used with three 600 volt class voltage transformers and three current transformers. This unit is designed to be mounted on conduit riser or on a pole.

BACTVT-W, BACTVT-R & BACTVT-F

Designed to be put on wall, pole, or riser with one or two mast clamps. CT-W Bracket will fit standard four-hole current transformers with two-hole base plate.

BA3AAB

Bracket is designed to put a BA3CTVT-R bracket on a BAB arm.

