

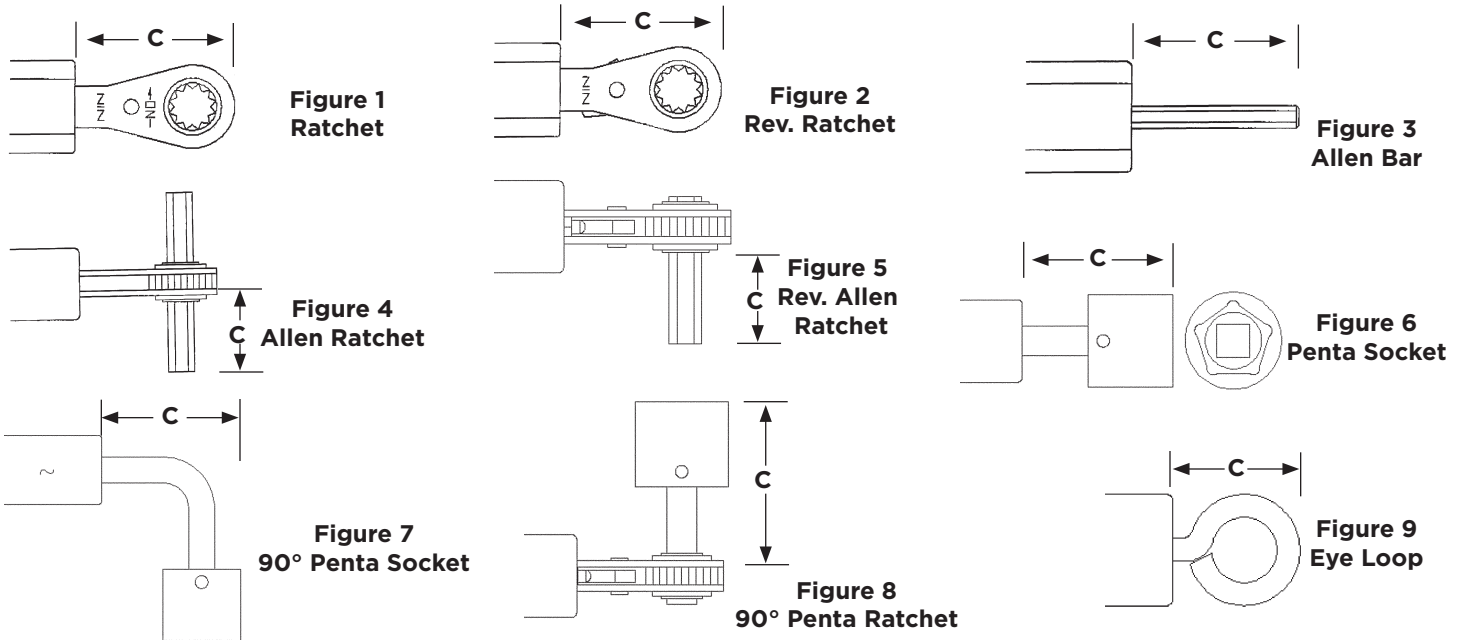
# DISTRIBUTION TOOLS SERIES GP FARGO CONNECTOR WRENCHES

TOOLS  
GP WRENCHES

- Design optimized for lineman use - handle separates both ends. (GP201-204 & GP216 are 1 piece style - see note)
- Specially constructed for proper and fast installation of mechanical connectors in utility distribution applications

Sturdy polypropylene handle provides protection from incidental end-to-end or energized line contact (all models except as noted).

Nine available wrench heads.



## Fargo Available Wrench Combinations:

CATALOG NUMBER	"A" END DESCRIPTION	FIGURE	C INCHES (MM)	"B" END DESCRIPTION	FIGURE	C INCHES (MM)	L APPROX. INCHES (MM)	WT. LB. (KG)
GP201*	3/8" Ratchet	1	one piece	9/16" Ratchet	1	one piece	6.75 (171.79)	0.75 (0.34)
GP203*	9/16" Ratchet	1	one piece	3/4" Ratchet	1	one piece	6.25 (159.06)	0.75 (0.34)
GP2031*	1/2" Ratchet	1	one piece	9/16" Ratchet	1	one piece	6.75 (171.79)	0.75 (0.34)
GP204*	11/16" Ratchet	1	one piece	15/16" Ratchet	1	one piece	9.25 (235.41)	0.75 (0.34)
GP216*	11/16" Ratchet	1	one piece	15/16" Ratchet	1	one piece	9.25 (235.41)	0.75 (0.34)
GP209	3/8" Allen Ratchet	4	1.21 (30.79)	Eye Loop	9	1.00 (25.45)	7.50 (190.88)	0.75 (0.34)
GP2090P	3/8" Allen Ratchet	4	1.21 (30.79)	Penta Socket	6	2.00 (50.90)	8.75 (222.69)	1.00 (0.45)
GP2090P4	3/8" Allen Ratchet	4	1.71 (43.52)	Penta Socket	6	2.00 (50.90)	8.75 (222.69)	1.00 (0.45)
GP2090P90	3/8" Allen Ratchet	4	1.21 (30.79)	90° Penta Socket	7	2.50 (63.63)	9.25 (235.41)	1.00 (0.45)
GP2091P	Penta Socket	6	1.91 (48.61)	Eye Loop	9	1.00 (25.45)	7.50 (190.88)	0.75 (0.34)
GP2091P90	90 Penta Socket	7	2.37 (60.32)	Eye Loop	9	1.00 (25.45)	8.00 (203.60)	0.75 (0.34)
GP2092M	3/8" Allen Ratchet	4	1.21 (30.79)	3/8" Allen Bar	3	1.25 (31.81)	8.00 (203.60)	0.75 (0.34)
GP2093	5/16" Allen Ratchet	4	1.46 (37.16)	Eye Loop	9	1.00 (25.45)	7.75 (197.24)	0.75 (0.34)
GP2093P	5/16" Allen Ratchet	4	1.46 (37.16)	Penta Socket	6	2.00 (50.90)	9.00 (229.05)	1.00 (0.45)
GP2093P90	5/16" Allen Ratchet	4	1.46 (37.16)	90° Penta Socket	7	2.50 (63.63)	9.25 (235.41)	1.00 (0.45)
GP209375P90	5/16" Allen Ratchet	4	0.75 (19.09)	90° Penta Socket	7	2.50 (63.63)	9.25 (235.41)	1.00 (0.45)

\* These wrenches do not have polypropylene handle.



# DISTRIBUTION TOOLS SERIES GP FARGO CONNECTOR WRENCHES (CONTINUED)

TOOLS
<b>GP WRENCHES</b>

**Fargo Available Wrench Combinations:**

CATALOG NUMBER	“A” END DESCRIPTION	FIGURE	C INCHES (MM)	“B” END DESCRIPTION	FIGURE	C INCHES (MM)	L APPROX. INCHES (MM)	WT. LB. (KG)
GP210	3/16" Allen Bar	3	1.25 (31.81)	Eye Loop	9	1.00 (25.45)	6.75 (171.79)	0.50 (0.23)
GP2101	1/4" Allen Bar	3	1.88 (47.85)	Eye Loop	9	1.00 (25.45)	7.38 (187.82)	0.50 (0.23)
GP211	3/8" Allen Bar	3	1.25 (31.81)	Eye Loop	9	1.00 (25.45)	6.75 (171.79)	0.50 (0.23)
GP212	5/16" Allen Bar	3	1.25 (31.81)	Eye Loop	9	1.00 (25.45)	6.75 (171.79)	0.50 (0.23)
GP221	3/8" Ratchet	1	2.25 (57.26)	9/16" Ratchet	1	2.25 (57.26)	9.00 (229.05)	0.75 (0.34)
GP2210	3/8" Ratchet	1	2.25 (57.26)	7/16" Ratchet	1	2.25 (57.26)	9.00 (229.05)	0.75 (0.34)
GP2212	1/2" Ratchet	1	2.25 (57.26)	9/16" Ratchet	1	2.25 (57.26)	9.00 (229.05)	0.75 (0.34)
GP2213	5/16" Ratchet	1	2.00 (50.90)	3/8" Ratchet	1	2.00 (50.90)	8.50 (216.33)	0.75 (0.34)
GP2213AR	3/8" Allen Ratchet	4	1.21 (30.79)	5/16" Allen Ratchet	4	1.21 (30.79)	9.00 (229.05)	0.75 (0.34)
GP2214	3/8" Ratchet	1	2.00 (50.90)	1/2" Ratchet	1	2.00 (50.90)	8.50 (216.33)	0.75 (0.34)
GP2215P	3/8" Reversible Ratchet	2	2.25 (57.26)	Penta Socket	6	2.00 (50.90)	8.75 (222.69)	1.00 (0.45)
GP223	9/16" Ratchet	1	2.25 (57.26)	3/4" Ratchet	1	2.25 (57.26)	9.00 (229.05)	0.75 (0.34)
GP2231	9/16" Ratchet	1	2.25 (57.26)	11/16" Ratchet	1	2.25 (57.26)	9.00 (229.05)	0.75 (0.34)
GP2232	3/4" Ratchet	1	2.25 (57.26)	11/16" Ratchet	1	2.25 (57.26)	9.00 (229.05)	0.75 (0.34)
GP2233	9/16" Ratchet	1	2.25 (57.26)	5/8" Ratchet	1	2.25 (57.26)	9.00 (229.05)	0.75 (0.34)
GP2234	1/2" Ratchet	1	2.25 (57.26)	5/8" Ratchet	1	2.25 (57.26)	9.00 (229.05)	0.75 (0.34)
GP2235	5/8" Ratchet	1	2.25 (57.26)	11/16" Ratchet	1	2.25 (57.26)	9.00 (229.05)	0.75 (0.34)
GP2236	5/8" Ratchet	1	2.25 (57.26)	13/16" Ratchet	1	2.75 (69.99)	9.50 (241.78)	0.75 (0.34)
GP2237	5/8" Ratchet	1	2.25 (57.26)	3/4" Ratchet	1	2.25 (57.26)	9.00 (229.05)	0.75 (0.34)
GP2238	3/4" Ratchet	1	2.25 (57.26)	13/16" Ratchet	1	2.75 (69.99)	9.50 (241.78)	0.75 (0.34)
GP224	3/4" Ratchet	1	2.25 (57.26)	7/8" Ratchet	1	2.75 (69.99)	9.50 (241.78)	1.00 (0.45)
GP2240	13/16" Ratchet	1	2.75 (69.99)	7/8" Ratchet	1	2.75 (69.99)	10.00 (254.50)	1.00 (0.45)
GP2241P90	13/16" Ratchet	1	2.75 (69.99)	90° Penta Socket	7	2.50 (63.63)	9.75 (248.14)	1.00 (0.45)
GP2242	11/16" Ratchet	1	2.25 (57.26)	15/16" Ratchet	1	2.75 (69.99)	9.50 (241.78)	1.00 (0.45)
GP2243	13/16" Ratchet	1	2.75 (69.99)	15/16" Ratchet	1	2.75 (69.99)	10.00 (254.50)	1.00 (0.45)
GP2245	7/8" Ratchet	1	2.75 (69.99)	15/16" Ratchet	1	2.75 (69.99)	10.00 (254.50)	1.00 (0.45)
GP239	5/16" Rev. Allen Ratchet	5	1.00 (25.45)	5/16" Rev. Allen Ratchet	5	1.00 (25.45)	9.00 (229.05)	1.00 (0.45)
GP240	5/16" Rev. Allen Ratchet	5	1.50 (38.18)	3/8" Rev. Allen Ratchet	5	1.38 (35.12)	9.00 (229.05)	1.00 (0.45)
GP240P1	3/8" Rev. Allen Ratchet	5	1.00 (25.45)	Penta Socket	6	2.00 (50.90)	8.75 (222.69)	1.00 (0.45)
GP241P	5/16" Rev. Allen Ratchet	5	1.50 (38.18)	Penta Socket	6	2.00 (50.90)	8.75 (222.69)	1.00 (0.45)
GP241P1	5/16" Rev. Allen Ratchet	5	2.00 (50.90)	Penta Socket	6	2.00 (50.90)	8.75 (222.69)	1.00 (0.45)
GP241P2	5/16" Rev. Allen Ratchet	5	1.00 (25.45)	Penta Socket	6	2.00 (50.90)	8.75 (222.69)	1.00 (0.45)
GP241P3	5/16" Rev. Allen Ratchet	5	2.50 (63.63)	Penta Socket	6	2.00 (50.90)	8.75 (222.69)	1.00 (0.45)
GP241P90	5/16" Rev. Allen Ratchet	5	1.50 (38.18)	90° Penta Socket	7	2.50 (63.63)	9.25 (235.41)	1.00 (0.45)
GP241PS58	5/16" Rev. Allen Ratchet	5	0.63 (15.91)	Penta Socket	6	2.00 (50.90)	8.75 (222.69)	1.00 (0.45)
GP241S	5/16" Rev. Allen Ratchet	5	1.50 (38.18)	Eye Loop	9	1.00 (25.45)	7.75 (197.24)	0.75 (0.34)
GP241S2	5/16" Rev. Allen Ratchet	5	1.00 (25.45)	Eye Loop	9	1.00 (25.45)	9.00 (229.00)	0.75 (0.34)
GP241S3GP	3/8" Rev. Allen Ratchet	5	1.00 (25.45)	Eye Loop	9	1.00 (25.45)	9.00 (229.00)	0.75 (0.34)
GP241S58	5/16" Rev. Allen Ratchet	5	0.63 (15.91)	Eye Loop	9	1.00 (25.45)	7.75 (197.24)	0.75 (0.34)
GP242P	5/16" Rev. Allen Ratchet	5	1.75 (44.54)	90° Penta Rev. Ratchet	8	2.75 (69.99)	9.00 (229.00)	1.00 (0.45)
GP242P1	3/8" Rev. Allen Ratchet	5	1.38 (35.12)	90° Penta Rev. Ratchet	8	2.75 (69.99)	9.00 (229.00)	1.00 (0.45)
GP242P2	5/16" Rev. Allen Ratchet	5	2.00 (50.90)	90° Penta Rev. Ratchet	8	2.75 (69.99)	9.00 (229.00)	1.00 (0.45)
GP243P	5/16" Rev. Allen Ratchet	5	1.00 (25.45)	90° Penta Socket	7	2.50 (63.63)	9.25 (235.41)	1.00 (0.45)
GP516A	5/16" Rev. Allen Ratchet	5	2.5 (63.5)	5/16" Allen Bar	3	2.36 (59.9)	9.11 (231.39)	0.50 (0.23)

 DG  
2



# “THE NUT RUNNER” — LINEMAN’S RATCHET WRENCH CAT. NO’S. GP3458 AND GP345812 FARGO DISTRIBUTION TOOLS

TOOLS
GP3458 “Nut Runner”

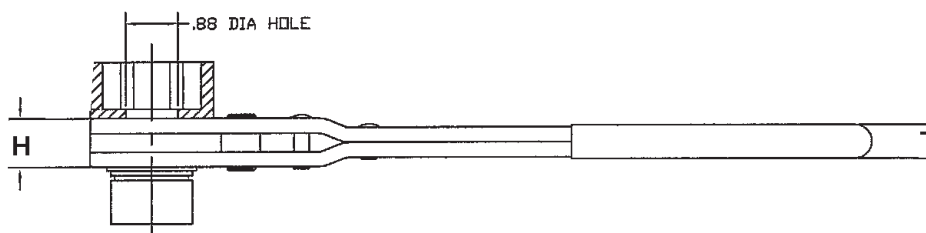
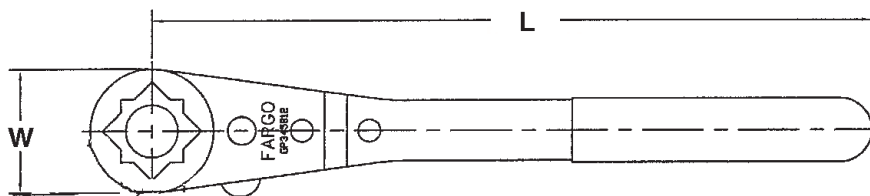
### Features

- Unique bolt thru socket
- 2 in 1 combination square socket (GP3458) fits nuts for both 5/8” & 3/4” machine bolts
- 3 in 1 combination square socket (GP345812 & GP345812C) fits nuts for 1/2”, 5/8” & 3/4” machine bolts
- Reversible ratchet
- Heavy duty construction

### Benefits

- Eliminate the need to use slower open-end wrenches.
- Quick and easy to use. No more inconvenient re-positioning.
- Ensures a dependable and long field life.

The Fargo “Nut Runner” Lineman’s Ratchet Wrench provides a safe and easier way to tighten down long machine bolts. Developed to install equipment mounting bolts on utility poles, this tool makes slower, non-mechanical openend wrenches antiquated.



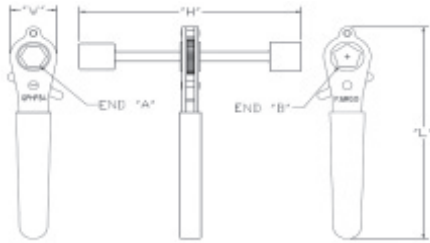
CATALOG NUMBER	DIMENSIONS INCHES (MM)				WT. LB. (KG)
	L	W	H	T	
GP3458	12.00 (304.8)	2.06 (52.3)	.81 (20.6)	.56 (14.2)	2.45 (1.11)
GP345812	12.00 (304.8)	2.06 (52.3)	.81 (20.6)	.56 (14.2)	2.53 (1.15)
GP345812C	9.36 (237.7)	2.06 (52.3)	.78 (19.8)	1.0 (25.4)	1.53 (0.69)

DG  
3



# DISTRIBUTION TOOLS FARGO CONNECTOR WRENCHES PAD MOUNT TRANSFORMER WRENCH

TOOLS
GPHP



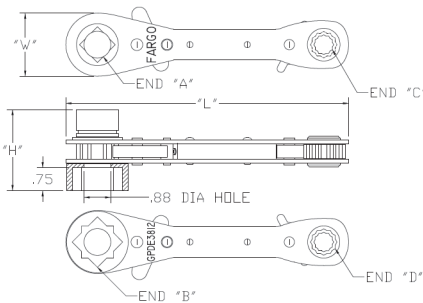
- For use with pad mount transformers.
- Penta socket to open the transformer and the hex wrench for miscellaneous hardware inside.
- The head is pinned to prevent spreading of the side plates.
- Reversible ratcheting design.
- Heavy duty construction.
- Torque tested to 90 lb-ft.
- Comfortable handle shape.

## GPHP

CATALOG NUMBER	END DESCRIPTION		PHYSICAL WRENCH DIM, IN (MM)			WT. LB. (KG)
	A	B	L	W	H	
GPHP34	3/4" Hex Socket	7/8" Security Penta Socket	8.13 (206)	1.56 (40)	7.38 (187)	1.8 (0.8)

# DISTRIBUTION TOOLS FARGO CONNECTOR WRENCHES PAD MOUNT TRANSFORMER WRENCH

TOOLS
GPDE



- Multi-Task wrench in popular sizes
- 3 in 1 combination square socket (Nut Runner).
- Unique bolt-through square socket fits nuts for 3/4", 5/8" and 1/2" machine bolts.
- 2 in 1 combination hex socket on opposite end. Hex socket for nuts on 3/8" or 1/2" bolts.
- Available in two lengths: standard and long.
- GPDE3812L is longer which allows more leverage for problematic hardware servicing.

## GPDE

CATALOG NUMBER	END DESCRIPTION				PHYSICAL WRENCH DIM, IN (MM)			WT. LB. (KG)
	A	B	C	D	L	W	H	
GPDE3812	1/2" Square Nuts	5/8" & 3/4" Square Nuts	9/16", 12 pt Hex Socket	3/4", 12 pt Hex Socket	9.25 (235)	2.06 (52)	2.65 (67)	2.4 (1.1)
GPDE3812L	1/2" Square Nuts	5/8" & 3/4" Square Nuts	9/16", 12 pt Hex Socket	3/4", 12 pt Hex Socket	12.25 (311)	2.06 (52)	2.65 (67)	2.8 (1.3)

DG  
4

# ANDERSON® VERSA-CRIMP® COMPRESSION SYSTEM

## VERSA-CRIMP BENEFITS:

- One tool covers an entire range; simplified tool programs.
- No dies or die sets required; less tooling cost.
- ANSI C119.4 highest strength crimps, for Versa-Crimp and standard lugs, splices and terminals.

Anderson compression tools embody the only real innovation in compression tools since 1961. Prior to the introduction of VERSACRIMP® tools, all compression systems were die-type which required the matching of dies, connectors and conductors for suitable connections.

Instead of die-type “distance travel” systems, the VERSACRIMP pressure-response system utilizes four self-contained crimping nibs. These nibs advance from:



the largest opening



to

the smallest opening,

in a continuous action, until the combined pressure of conductor and connector mass interacts upon a pre-set hydraulic valve.

This difference in design principle, means only VERSA-CRIMP tools can handle the complete job of the entire tool range without changing compression die-sets.

The VERSA-CRIMP VC6FTSP tool, for example, performs in a very wide range of #10AL Str. through 750 MCM Al, with *no* change of die-sets or tool alterations.



from this large

to



this small

All tools have heads which rotate 360° for ease of application in any position. The pump block and handles are neoprene covered to help protect tool from accidental “brush” contact with energized conductors covered crimp heads are also available.

Extensive research and testing have developed a full complement of accessories which assure you of a dependable compatible system to satisfy your requirements. Miniaturization and the use of light weight alloy materials wherever practical, facilitate the utmost in versatility. All tools are covered by a two- or three-year limited warranty and we maintain an experienced staff to provide maintenance and repair with minimum inconvenience. Warranty details and maintenance requirements are supplied with each tool.



# COMPRESSION CONNECTORS ANDERSON® VERSA-CRIMP® RANGE-TAKING SYSTEM

Along with a full line of range taking tools, Anderson manufactures a comprehensive line of range taking and extended range compression connectors for both utility distribution systems and construction/ industrial requirements. All of these connectors are rigidly tested to meet the respective requirements of NEMA and Underwriter's Laboratory, as well as ANSI C119.4 standards. Our exhaustive testing assures you product reliability and quality.

The unique action of VERSA-CRIMP® compression tools, and our range-taking system design of connectors, makes possible the application of a variety of conductor sizes within one common connector. VERSA-CRIMP is the only compression system which can provide comparable range-taking conveniences in compression connections previously limited to only mechanical set-screw lugs or bolted connections.



This VCSE44 aluminum sleeve typifies the VERSA-CRIMP system's range-taking capabilities. It has a conductor range of #10 solid (crimped on right) through 1/0 STR. AAC, ACSR or Cu. (at left).

Not only do we manufacture connectors for our unique VERSA-CRIMP tool, but we also manufacture connectors for conventional die type tooling as well. Our unique range-taking system offers versatility unmatched in the industry. This versatile system offers users flexibility in application and inventory, which translates into real-world benefits..

VERSAtile™ compression connectors have also been tested and are in compliance with NEMA or U.L. and ANSI C119.4 standards for compression connections when used with most Anderson, Blackburn, Burndy, Kearney and Thomas & Betts die or indent type tools (of course VERSA-CRIMP tools also) as listed.

Our continuous research and development assure you of a system as modern and flexible tomorrow as it is today.

DG  
6





# ANDERSON® VERSA-CRIMP® BATTERY POWERED ACSR CUTTING TOOL TYPE BP18CC129ACSR

TOOL
BP18C- C129ACSR

**For Use On:**

- Copper Cable- up to 1.29 "(32.7 mm)
- Aluminum cable- up to 1.29"(32.7 mm)
- ACSR - up to 1113 ACSR
- Standard Guy Wire-up to 1/2 (12.7 mm)
- EHS Guy Wire-up to 3/8" (9.5 mm)
- Ground Rod-up to 5/8"(15.8 mm)
- Rebar- up to 1/2"(12.7 mm)
- Soft Steel Bolts- up to 5/8"(15.8 mm)
- 18 volt Lithium-Ion rechargeable batteries
- Latch type head rotates 180 degrees
- Comfortable overmolded handle balanced for one hand operation



**Includes:**

- 18-volt battery powered cable cutter tool
- Two 18-volt Lithium-Ion batteries
- AC charger - 30 minutes recharge
- High impact plastic case - ergonomic carrying design with storage.
- Lanyard strap
- Instruction manual and warranty card
- 5-year limited warranty on tool (excludes blades) with 1-year on batteries and charger

**ACCESSORIES**

**Battery:**  
(3.0 AH) Hi-capacity Cat.# BAT18VLI

**Chargers:**  
120V-AC Cat.# PATCHGR-LI  
12/24-DC Cat.# PATCHGR-LIDC  
240/250V-AC Cat.# PATCHGR-LI250V

**Lanyard:** Cat.# PT208620

**Approx. Wt. Each:**

1 lbs. (4.9 kg) with Battery

**Kit Shipping Wt.:**

23 lbs. (10.s kg)

# ANDERSON® VERSA-CRIMP® HYDRAULIC COMPRESSION TOOL BATTERY OPERATED TYPE VCBP63

TOOL
VCBP63
AL/CU

- 18-volt Lithium-Ion rechargeable batteries
- Open head design allows for direct access to the connector in restricted areas.
- Four-nib dieless head with 360 degree rotation
- Crimps range-taking Versa-Crimp and Versatile connectors
- Comfortable overmolded handle balanced for one hand operation



**Type VCBP63**

**Includes:**

- 18-volt battery powered dieless crimp tool
- Two 18-volt 3.0 Ah Lithium-Ion batteries
- AC charger - 30 minutes recharge
- High impact plastic case - ergonomic carrying design with storage.
- Lanyard strap
- Instruction manual and warranty card
- 5-year limited tool warranty with 1-year on batteries and charger

**ACCESSORIES**

**Battery:**  
(3.0 AH) Hi-capacity Cat.# BAT18VLI

**Chargers:**  
120V-AC Cat.# PATCHGR-LI  
12/24-DC Cat.# PATCHGR-LIDC  
240/250V-AC Cat.# PATCHGR-LI250V

**Lanyard:** Cat.# PT208620

**Conductor Range:**

#10 Str. - 750 MCM Al/Cu

**Approx. Weight Each:**

13.2 lbs. (5.9 kg.) with Battery

**Kit Shipping Wt.:**

25 lbs. (11.1 kg)

DG  
7



# VERSA-CRIMP® HYDRAULIC COMPRESSION TOOL BATTERY OPERATED TYPE VCBP6FT

TOOL
VCBP6FT



Type VCBP6FT

- 18-volt Lithium-Ion rechargeable batteries
- The flip-top latch provides clear and easy removal from larger connectors in limited areas
- Four-nib dieless head with 360 degree rotation
- Crimps range-taking Versa-Crimp and Versatile connectors
- Comfortable overmolded handle balanced for one hand operation

**Includes:**

- 18-volt battery powered dieless crimp tool
- Two 18-volt 3.0 Ah Lithium-Ion batteries
- AC charger - 30 minutes recharge
- High impact plastic case - ergonomic carrying design with storage.
- Lanyard strap
- Instruction manual and warranty card
- 5-year limited tool warranty with 1-year on batteries and charger

**Conductor Range:**

#10 Str. - 750 MCM Al/Cu

**Approx. Wt. Each:**

12.8 lbs. (5.7 kg.) with Battery

**Kit Shipping Wt.:**

24.5 lbs. (10.9 kg.)

**ACCESSORIES**

**Battery:**

(3.0 AH) Hi-capacity    Cat.# BAT18VLI

**Chargers:**

120V-AC                      Cat.# PATCHGR-LI  
12/24-DC                    Cat.# PATCHGR-LIDC  
240/250V-AC                Cat.# PATCHGR-LI250V

**Lanyard:**

Cat.# PT208620

DG  
8





## VERSA-CRIMP® HYDRAULIC COMPRESSION TOOL HAND OPERATED TYPE VC63SP

TOOL
VC63SP
AL/CU

- Open Head design allows direct access to the connector in restricted areas.
- Two Stage Pump Design allows nibs to travel from full open to full close much faster.
- Ergonomic Case has handle at balance point making tool much easier to carry.
- Range: #10 stranded to 750 MCM AL/CU
- Head rotates 360°
- Repair parts available in kit form
- Direct Reading Pressure Gauge available
- 2-Year Warranty



### What's in the Box:

Versa-Crimp® Tool  
Ergonomic Case  
Instruction/Parts Manual

### Approx. Weight:

15.6 lbs. Gross  
12.0 lbs. Tool Only

## VERSA-CRIMP® HYDRAULIC COMPRESSION TOOL HAND OPERATED TYPE V6FTSP

TOOL
VC6FTSP
AL/CU

- The flip-top latch provides clear and easy removal from larger connectors in limited areas.
- Two Stage Pump Design allows nibs to travel from full open to full close much faster.
- Ergonomic Case has handle at balance point making tool much easier to carry.
- Range: #10 stranded to 750 MCM AL/CU
- Head rotates 360°
- Repair parts available in kit form
- Direct Reading Pressure Gauge available
- 2-Year Warranty



### What's in the Box:

Versa-Crimp® Tool  
Ergonomic Case  
Instruction/Parts Manual

### Approx. Weight:

15.6 lbs. Gross  
12.0 lbs. Tool Only

DG  
9



## VERSA-CRIMP® HYDRAULIC COMPRESSION TOOL HAND OPERATED TYPE VC7SP

TOOL
VC7SP
CU ONLY



- Open Head design allows direct access to the connector in restricted areas.
- Two Stage Pump Design allows nibs to travel from full open to full close much faster.
- Ergonomic Case has handle at balance point making tool much easier to carry.
- Range: #10 stranded to 750 MCM COPPER ONLY
- Head rotates 360°
- For compressing multi-strand/rope lay copper cable in mining, marine and industrial applications
- Copper label denotes copper connectors use only
- Repair parts available in kit form
- Direct Reading Pressure Gauge available
- 2-Year Warranty

**Note:** Due to high point pressure developed by this tool, it is not to be used on aluminum conductor or cable

**What's in the Box:**

- Versa-Crimp® Tool
- Ergonomic Case
- Instruction/Parts Manual

**Approx. Weight:**

- 15.6 lbs. Gross
- 12.0 lbs. Tool Only

## VERSA-CRIMP® HYDRAULIC COMPRESSION TOOL HAND OPERATED TYPE VC7FTSP

TOOL
VC7FTSP
CU ONLY



- The flip-top latch provides clear and easy removal from larger connectors in limited areas.
- Two Stage Pump Design allows nibs to travel from full open to full close much faster.
- Ergonomic Case has handle at balance point making tool much easier to carry.
- Range: #10 stranded to 750 MCM Al/CU
- Head rotates 360°
- For compressing multi-strand/rope lay copper cable in mining, marine and industrial applications
- Copper label denotes copper connectors use only
- Repair parts available in kit form
- Direct Reading Pressure Gauge available
- 2-Year Warranty

**Note:** Due to high point pressure developed by this tool, it is not to be used on aluminum conductor or cable

**What's in the Box:**

- Versa-Crimp® Tool
- Ergonomic Case
- Instruction/Parts Manual

**Approx. Weight:**

- 15.6 lbs. Gross
- 12.0 lbs. Tool Only

DG  
10



# VERSA-CRIMP<sup>®</sup> HYDRAULIC COMPRESSION TOOL REMOTE-POWER OPERATED TYPE VC6FTR

TOOL
VC6FTRSP
AL/CU

- 750 MCM Al/Cu Max. Range
- Flip-top latch provides clear and easy removal from larger connectors and in limited spaces.

**Includes:**

- 3/8" male quick coupler
- High impact plastic carrying and shipping case
- Service manual
- 2-Year Warranty



**Type VC6FTR**

**Note:** Operates from hydraulic pump delivering 10,400 psi.

**Conductor Range:**

#10 Str. - 750 MCM Al/Cu

**Approx. Weight Each:**

6 lbs. (2.7 kg.)

# VERSA-CRIMP<sup>®</sup> HYDRAULIC COMPRESSION TOOL REMOTE-POWER OPERATED TYPE VC6R

TOOL
VC6RSP
AL/CU

- Open head design allows for direct access to the connector in restricted areas.
- Readily adaptable for energized line use.
- 750 MCM Al/Cu max.

**Includes:**

- 3/8" male quick coupler
- High impact plastic carrying and shipping case
- Service manual
- 2-Year Warranty



**Type VC6R**

**Note:** Operates from hydraulic pump delivering 10,400 psi

**Conductor Range:**

#10 Str.—750 MCM Bare Al

#10 Str.—750 MCM Bare Cu

**Approx. Weight Each:**

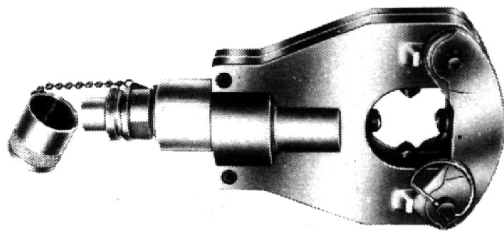
5.5 lbs. (2.5 kg.)

DG  
11



# VERSA-CRIMP® HYDRAULIC COMPRESSION TOOL REMOTE-POWER OPERATED TYPE VC7FTR

TOOL
VC7FTRSP
Copper



Type VC7FTR

- The flip-top latch provides clear and easy removal from larger connectors and in limited spaces.
- For compressing multi-strand/rope lay copper cable in mining, marine and industrial applications.
- Copper color label denotes use with copper connectors, only.

**Includes:**

- 3/8" male quick coupler
- Service manual
- High impact plastic carrying and shipping case
- 2 year warranty

**Notes:**

- 1) Due to high point pressure developed by this tool, it is not to be used on aluminum connector or cable.
- 2) Operates from hydraulic pump delivering 10,400 psi.

**Conductor Range:**

#10 Str.—750 MCM Cu

**Approx. Weight Each:**

6 lbs. (2.7 kg.)

# VERSA-CRIMP® HYDRAULIC COMPRESSION TOOL REMOTE-POWER OPERATED TYPE VC7R

TOOL
VC7RSP
For Copper



Type VC7R

- Open head design allows for direct access to the connector in restricted areas.
- 750 MCM Max. Cu.
- For compressing multi-strand/rope lay copper cable in mining, marine and industrial applications.
- Copper color label denotes use with copper connectors, only.

**Includes:**

- 3/8" male quick coupler
- High impact plastic carrying and shipping case
- Service manual
- 2-Year Warranty

**Notes:**

- 1) Due to high point pressure developed by this tool, it is not to be used on aluminum connector or cable.
- 2) Operates from hydraulic pump delivering 10,400 psi.

**Conductor Range:**

#10 Str.—750 MCM Cu only

**Approx. Weight Each:**

5.5 lbs. (2.5 kg.)

DG  
12