



SOLUTIONS GUIDE

Entertainment

Providing entertainment solutions for audio, video & lighting needs, cable management systems and stage & set electrification



Our team works with yours to ensure reliable delivery, smooth implementation, and ongoing service.

Contents, Page Overview.....2

Spring Driven Cable Reels..... 3-7

 Power, Control, DMX and CAT5
 Cable Reels with and without
 Sliprings, Monospiral and Level-
 Wind Reels equipped with AC/DC
 Motor or Springs

Motor Driven Cable Reels8

Combination Reels9

Rotary Limit Switches10

Insul-Lock™ Connectors and Panel Mounts.....11

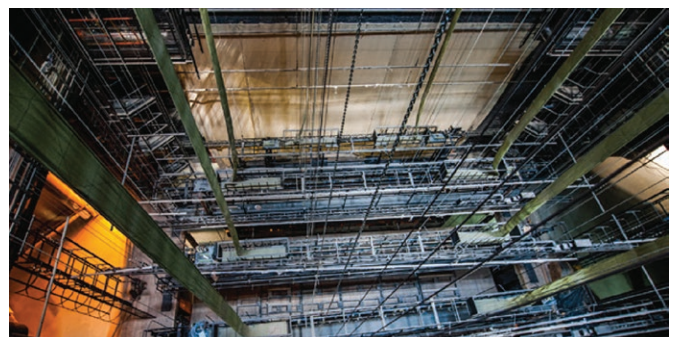
Cable Carriers 14



Stage and Screen Set Design Products

From performing arts and concerts to studio and television, Gleason Reel has the right products for the right application. These events typically include a variety of learning and entertainment activities, performances, plays and general assemblies, or large-scale seminars, theatre productions and award ceremonies. These spaces must accommodate the latest audio, visual, and lighting technology while providing maximum reliability to ensure that the show goes on.

At Gleason Reel, we offer products tailored to the Entertainment Industry requirements for reliability, durability and safety.

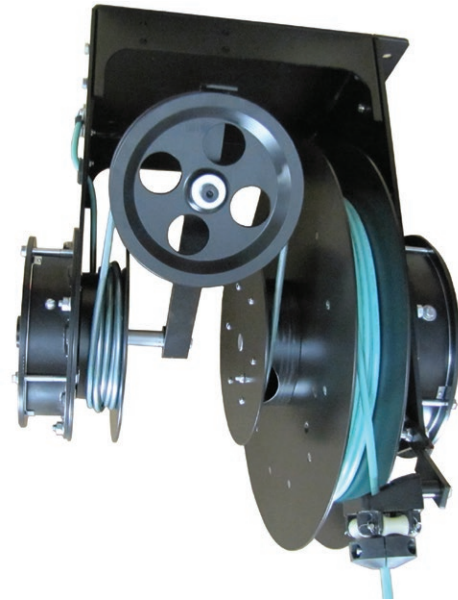


Series 'WB' Cable Reels

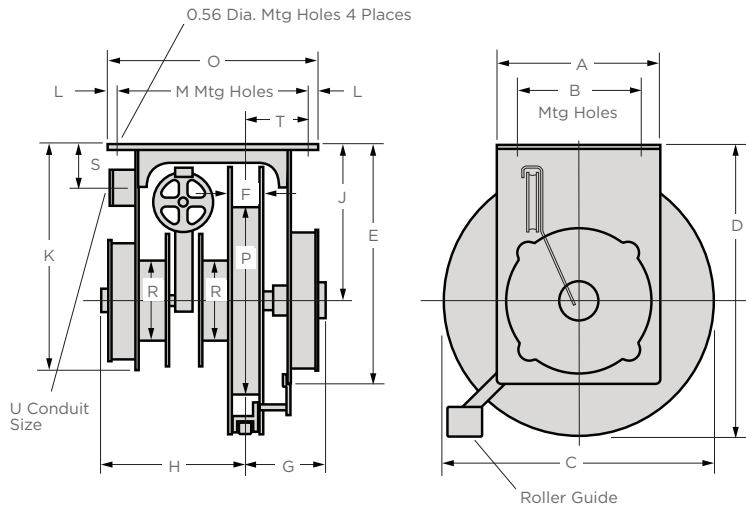
Without Slip Rings

Gleason Series 'WB' (without brushes) Cable Reels are continuous contact reels designed for applications where any impedance must be avoided. Because WB-Reels use one continuous length of cable, there is no break from current source to consumer and that means complete preservation of transmission integrity.

The absence of electrical contact points on WB Reels make them an outstanding choice for applications involving portable or movable communication or instrumentation equipment. Additionally, WB Reels are ideal for high speed video and fiber optic applications. Such equipment could be adversely affected by the varying resistance of sliding electrical contacts or undue twisting of cords or cables resulting in varying impedance.



WB-60 and WB-75 Series



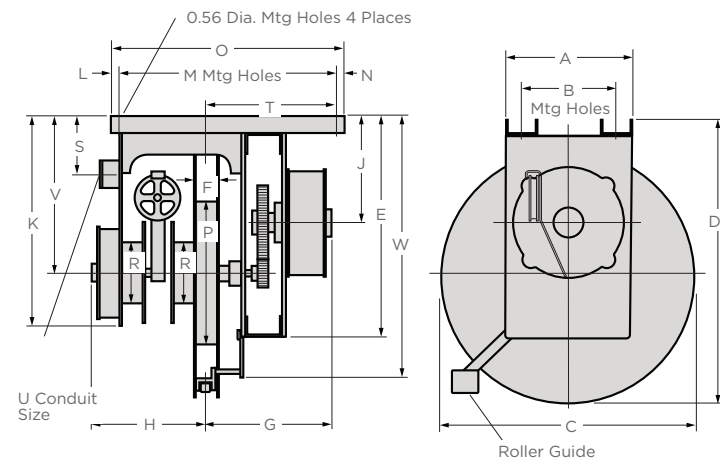
Model

	WB-60-25	WB-75-25
A	12.00	12.00
B	9.00	9.00
C	20.00	27.00
D	21.69	28.69
E	17.69	20.75
F	2.00	2.00
G	5.88	6.81
H	10.50	10.75
J	11.69	15.19
K	16.69	19.69

Model

	WB-60-25	WB-75-25
L	0.75	0.75
M	13.88	13.88
N	0.75	0.75
O	15.37	15.37
P	14.00	22.00
R	6.00	6.00
S	3.25	6.69
T	4.75	4.63
U	0.50	0.50

WB-100 Series



Model

	WB-100-60	WB-100-100-60
A	12.00	12.00
B	9.00	9.00
C	24.00	28.00
D	27.19	31.19
E	18.19	20.19
F	2.00	2.00
G	11.75	16.00
H	10.50	10.75
J	10.19	12.19
K	21.56	23.56
L	0.75	0.75

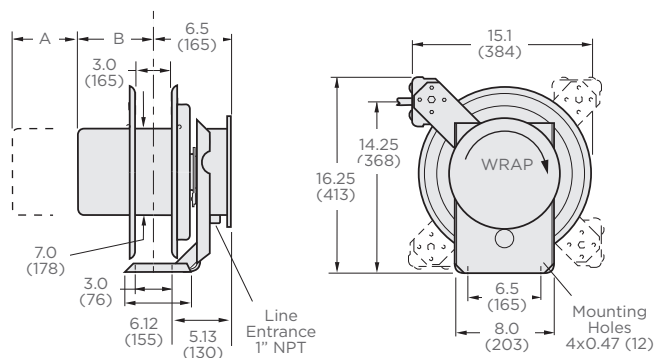
Model

	WB-100-60	WB-100-100-60
M	20.75	20.75
N	1.50	1.50
O	23.00	23.00
P	14.00	16.00
R	6.00	6.00
S	4.19	6.00
T	11.44	11.44
U	0.75	0.75
V	15.19	17.19
W	21.69	23.69

Cable Reels

Series 'CM' Cable-Master Reels

Gleason Cable-Master Reels are ruggedly built and their design has been refined over many years of field use. These reels have either fully automatic or ratchet controlled spring rewind. Standard features include: rolled cable guide, ratchet lock and 600 volt slip ring. Available for 3 to 12 conductors, 20' to 70' travel. Data cable available.

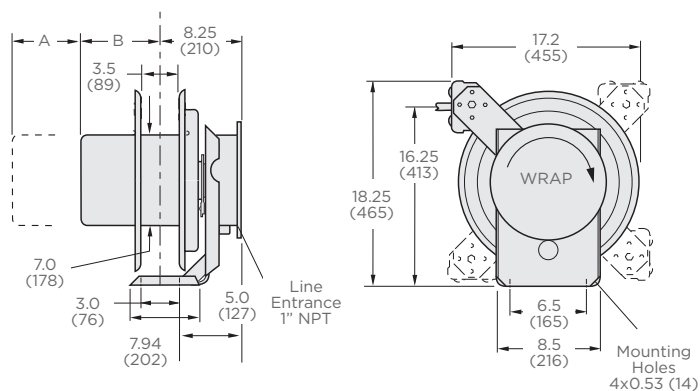


Dimensions A & B
Slip Ring Enclosure - C14 Reels

Wire Size Code*	Slip Ring Poles**	A	B
A, B, C, D	1-4	4.50 (114)	5.69 (145)
A, B, C, D	5-8	6.00 (152)	7.19 (183)
A, B, C, D	9-12	7.50 (191)	8.69 (221)
E, F	1-4	6.00 (152)	7.19 (183)

Reel Weight
Less Cable

Reel Model	Weight lbs (kg)
C14-A	40 (19)
C14-B	42 (19)
C14-C	47 (21)
Ex. C14-A03-C 1103	



Dimensions A & B
Slip Ring Enclosure - C16 Reels

Wire Size Code*	Slip Ring Poles**	A	B
A, B, C, D	1-4	4.50 (114)	5.94 (151)
A, B, C, D	5-8	6.00 (152)	7.44 (189)
A, B, C, D	9-12	7.50 (191)	8.94 (227)
E, F	1-4	6.00 (152)	7.44 (189)

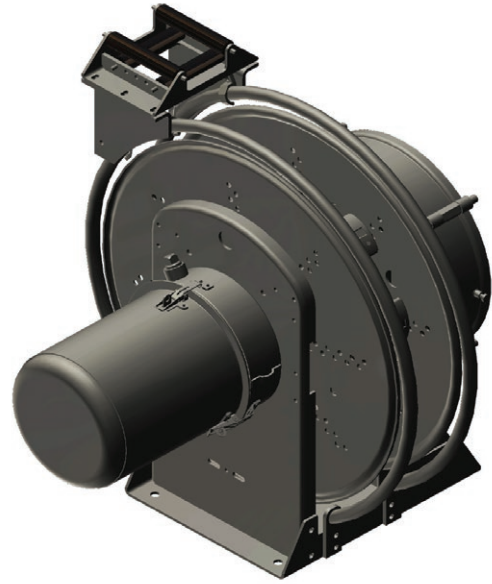
Reel Weight
Less Cable

Reel Model	Weight lbs (kg)
C16-D	78 (35)
C16-E	59 (27)
C16-G	65 (29)
C16-H	66 (31)
C16-J	75 (34)
C16-K	75 (34)
Ex. C16-A03-J 1105	

Series 'S' Spring-Driven Cable Reels

Ideal for use in the theatre industry, S' Spring-Driven Electric Cable Reels allows electric current to flow from the power source to the current consumer through the cable specified.

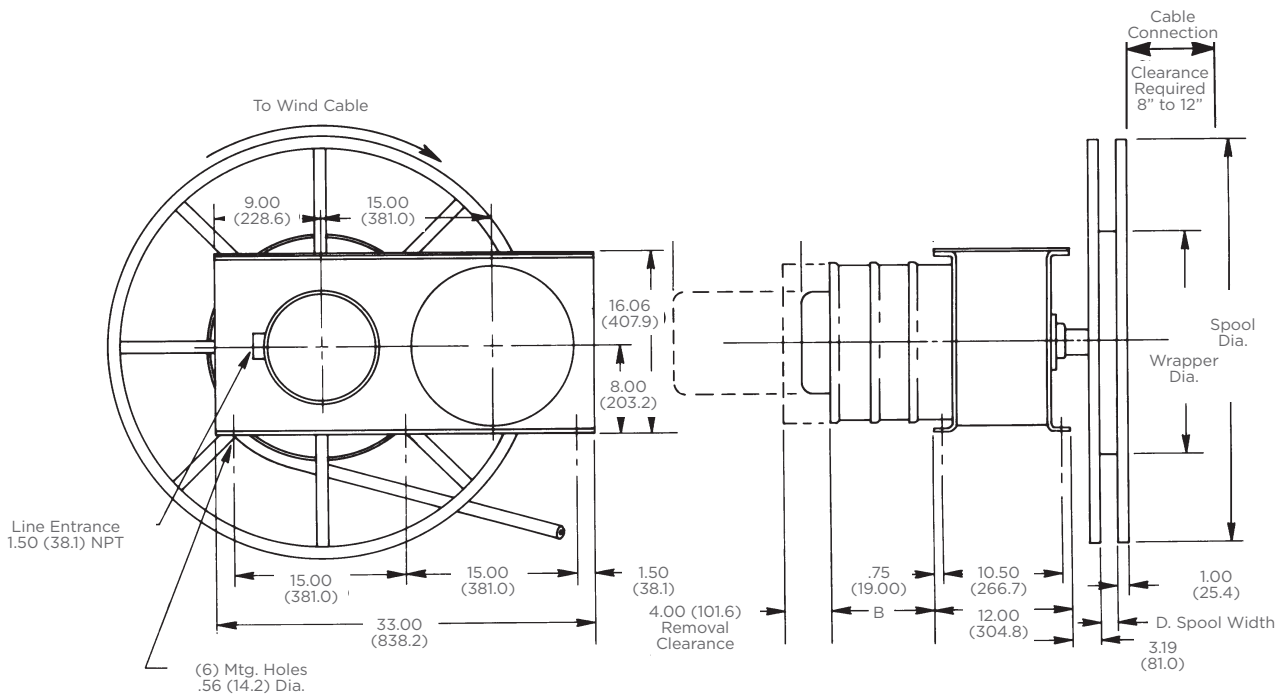
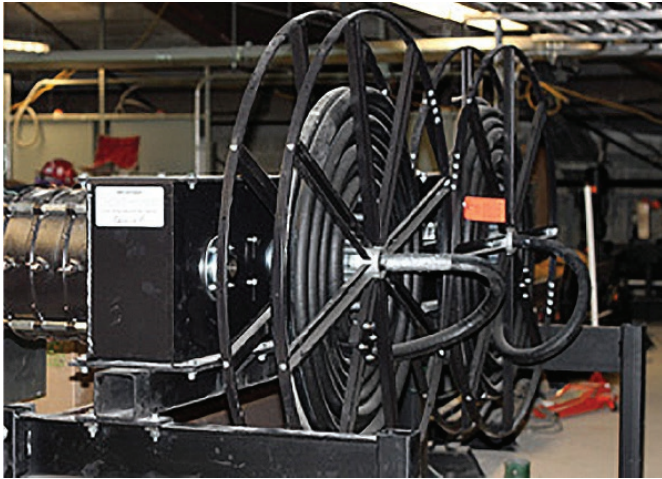
Gleason Series "S" reels are spring driven electric cable reels designed to be mounted on moving machinery. S- Reels utilize self-contained slip ring assemblies which transfer current to the cable mounted on the rotating spool. Models for longer travels are fitted with gear assemblies to provide hundreds of application possibilities.



Spring Reels

Series 'SHO' Monospiral Reels

Monospiral cable reels are designed to stack cable in a single, multiple-layer vertical configuration. SHO Series Reels are designed to provide a low cost solution for long electrical cable travel. In the SHO series reels, winding torque is provided by one or more parallel design spring motors. Gleason SHO Reels have retrieve capacities of 350 feet of electric cable at a velocity of 150 ft./min and acceleration of 1.0 ft./sec.

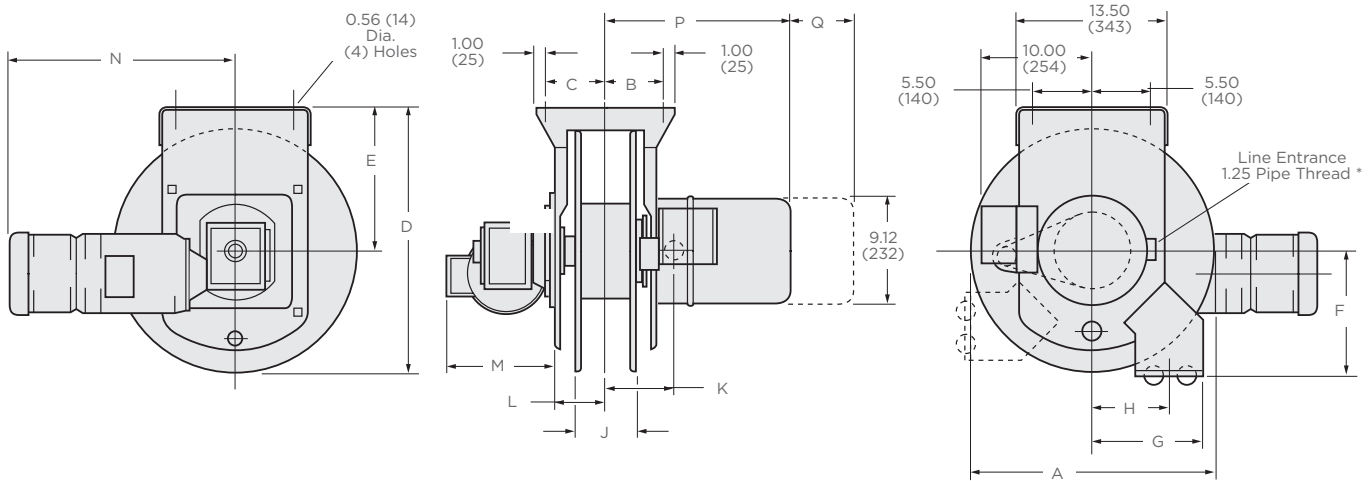


Motor Driven Reels

The entertainment industry is a fast paced environment with equipment in indoor and outdoor environments. Gleason Motor-Driven Reels are weatherproof and dust-tight to withstand some of the harsher environmental applications. Users can wind and store up to 120 ft. of cable with the average retrieval speed of 30 to 135 fpm (40.5 mpm) with a reversible 1800 RPM, 230-460 VAC drive motor. The motor driven reel automatically raises and lowers push-button stations for floor controlled cranes and hoists. The welded steel frame adds durability while the electro-magnetic brake holds cable in place when motor is de-energized for added safety. Limit Switches control maximum up and down stops. This versatile reel has cable capacities ranging from 2-36 conductor cables, No. 16 through No. 10 AWG wire size.



Model	A	B	C	D	E	F	G	H	J	K	L
P14	14.00 (356)	4.75 (121)	4.75 (121)	16.50 (419)	9.00 (229)	7.75 (197)	9.50 (241)	6.50 (165)	4.25 (108)	5.25 (133)	4.12 (105)
P15	16.00 (406)	5.25 (133)	5.25 (133)	18.50 (470)	10.00 (254)	11.25 (286)	9.50 (241)	6.50 (165)	5.25 (133)	5.75 (146)	4.62 (118)
P18	18.00 (457)	5.25 (133)	5.25 (133)	20.00 (508)	11.00 (279)	11.25 (286)	9.50 (241)	6.50 (165)	5.25 (133)	5.75 (146)	4.62 (118)
P21	21.00 (533)	5.25 (133)	5.25 (133)	23.00 (584)	12.50 (318)	11.25 (286)	9.50 (241)	6.50 (165)	5.25 (133)	5.75 (146)	4.62 (118)
P24	24.00 (610)	5.25 (133)	8.75 (222)	26.00 (660)	14.00 (356)	12.75 (324)	10.12 (257)	7.12 (181)	5.25 (133)	5.75 (146)	4.62 (118)
P28	28.00 (711)	6.25 (159)	9.75 (248)	30.00 (762)	16.00 (406)	15.50 (394)	11.25 (286)	8.25 (210)	7.25 (184)	6.75 (172)	5.62 (143)



*Series P28 Has 1.50 Pipe Thread Line Entrance

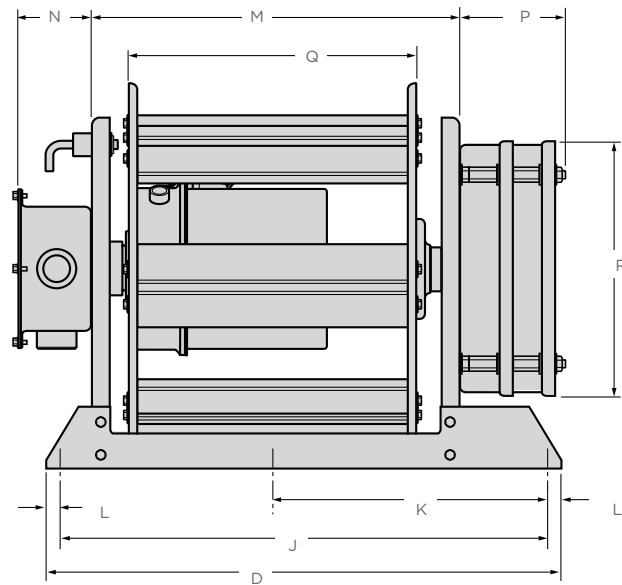
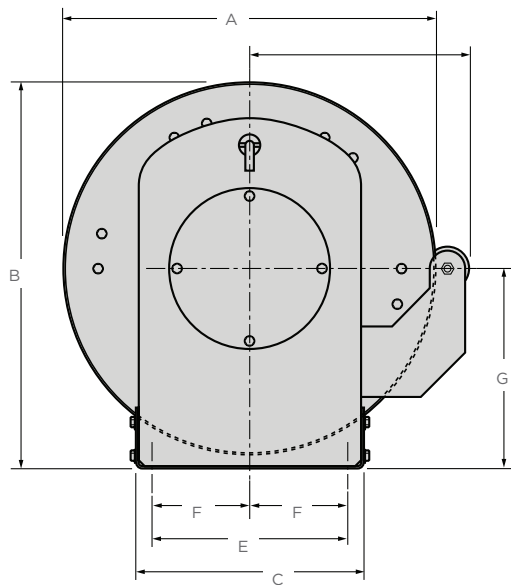
Spring or Motor Reels

Level-Wind Low-Profile Reels

When limited or tight spaces are areas of concerns, the Level Wind Low-Profile Reels offers the right solution. These fit in smaller spaces than standard profile reels while handling the same sizes and lengths. The level wind roller eliminates cable “pile-up” on the spool while the parallel spring design provides greater application flexibility. Winding tension is tailored to each need by increasing or decreasing number of springs and by easy spring adjustments. The externally mounted springs can be easily adjusted or replaced. Motor and drive can also be applied instead of springs.



A	B	C	D	E	F	G	H	J	K	L	M	N	P	Q	R
21.00	21.75	12.86	29.00	11.00	5.50	11.25	12.38	27.50	15.53	0.75	20.72	4.00	5.98	16.00	14.34



TYPICAL DIMENSIONS - Reel to handle 60' of #10/4 conductor cable, hook/rotate application.

Series 'CR' Combination Reels

Gleason Series 'CR' Reels are designed for use when the desire to disconnect the flexible cable from the Batten or other moving source and re-connect to another Batten or moving source without the use of VFD Mot or Control or additional Control from the automated rigging system.

These Reels are equipped to provide spring operation during normal operation; and motorized override for payout, retrieval or batten change operation. Based on the popular 'S' Reel frame, this reel is capable of handling, Power, Control, DMX, Ethernet or other requirements at the fraction of the cost of VFD Motor and Control.



Cable Sheaves

Cable Sheaves are used when the cable must be pay out in 2 directions and is terminated at the center of travel.

	Diameter in inches	Width in inches
GR065450	12	2
GR06545001	12	4
GR065451	18	2
GR06545101	18	4
GR065452	24	2
GR06545201	24	4

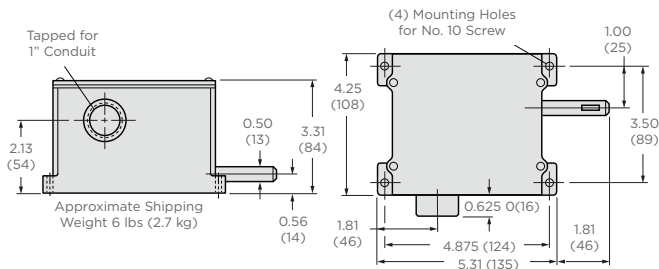
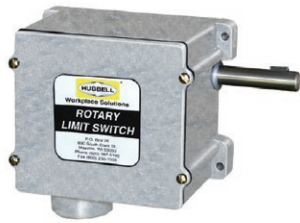
Rotary Limit Switches

Series 54 and 55 Rotary Limit Switches

Rotary Limit Switches limit the travel of electrically operated doors, conveyors, hoists and similar devices. Equipment having rotating mechanisms, or linear motion which can be translated into rotational motion, can be controlled by these versatile switches. The limit switch controls how much cord is reeled out. This is useful with suspended scenery.

The Gleason Limit Switches are available in a right hand or left hand or dual shaft models. The rugged die cast enclosures are NEMA 4X making them ideal for outdoor weather conditions. With Gleason Limit Switches, safety to people and equipment is always a priority.

Series 54

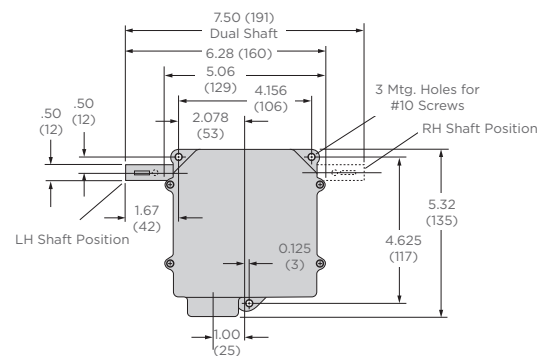


Ordering Information

Series 54 Standard Cams	NEMA 1 & 12	NEMA 4
18:1, 2 Blocks, 2 NO 2 NC Circuits	54BB23FE*	54BB23EE*
18:1, 3 Blocks, 3 NO 3 NC Circuits	54BB33FE*	54BB33EE*
36:1, 2 Blocks, 2 NO 2 NC Circuits	54BB43FB*	54BB43EB*
36:1, 3 Blocks, 3 NO 3 NC Circuits	54BB43FB*	54BB43EB*
72:1, 2 Blocks, 3 NO 3 NC Circuits	54BB43FC*	54BB43EC*
72:1, 3 Blocks, 2 NO 2 NC Circuits	54BB43FC*	54BB43EC*
108:1, 2 Blocks, 2 NO 2 NC Circuits	54BB43FD*	54BB43ED*
108:1, 3 Blocks, 3 NO 3 NC Circuits	54BB43FD*	54BB43ED*

*Catalog numbers are for RIGHT HAND SHAFT. For left hand shaft add "L" to catalog number

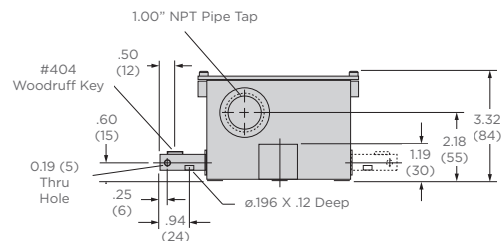
Series 55



Ordering Information

Series 54 Standard Cams	NEMA 1 & 12	NEMA 4
18:1, 2 Blocks, 2 NO 2 NC Circuits	54BB23FE*	54BB23EE*
18:1, 3 Blocks, 3 NO 3 NC Circuits	54BB33FE*	54BB33EE*
36:1, 2 Blocks, 2 NO 2 NC Circuits	54BB43FB*	54BB43EB*
36:1, 3 Blocks, 3 NO 3 NC Circuits	54BB43FB*	54BB43EB*
72:1, 2 Blocks, 3 NO 3 NC Circuits	54BB43FC*	54BB43EC*
72:1, 3 Blocks, 2 NO 2 NC Circuits	54BB43FC*	54BB43EC*
108:1, 2 Blocks, 2 NO 2 NC Circuits	54BB43FD*	54BB43ED*
108:1, 3 Blocks, 3 NO 3 NC Circuits	54BB43FD*	54BB43ED*

*Catalog numbers are for RIGHT HAND SHAFT. For left hand shaft add "L" to catalog number



Insul-Lock™ Connectors and Panel Mounts

Miniature Power Connections for Entertainment Applications

Insul-Lock Plus Connectors

- 20A, 250V AC rated
- Rated for disconnect under load
- IP65 rated
- UL 50E Type 4 rated when used with weatherproof covers
- Connectors accept up to 12/3 AWG SO cable which meets NEC 520.68 requirements for extra-hard usage cords or cables
- Panel mount devices accept commonly available .25" spade style connectors
- Industry standard mating, interchangeable with installed base
- Insul-Lock devices are ideal for use with LED lighting and other applications including multiple screen video walls. The rear of the connector is black to blend in when used in visible areas



Insul-Lock Plus Connectors

Description	Male Connector Power In	Female Connector Power Out
Locking cable connector, screw terminals	HBLMC	HBLFC

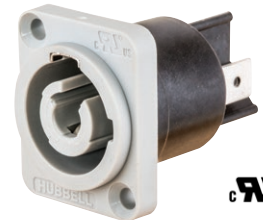


Insul-Lock Plus Panel Mounts

Description	Inlet	Outlet
1/4" tab terminations with divider	HBLMPD	HBLFPD
1/4" tab terminations, without divider	HBLMP	HBLFP

Insul-Lock Plus Accessories

Description	Inlet	Outlet
Spring loaded weatherproof cover	HBLMPC	HBLFPC
Dust protection cap	HBLMPDC	HBLFPDC



Insul-Lock™ Connectors and Panel Mounts

Insul-Lock Connectors

- 25A, 250V rated
- Connectors accept up to 12/3 AWG SO cable Meets NEC 520.68 requirements for extra-hard usage cords or cables
- Color coded blue for power in and gray for power out
- Panel mount devices accept commonly available .25" spade style connectors. Simplifies installation for domestic OEM's
- Industry standard mating Interchangeable with installed base
- Impact-resistant thermoplastic construction; suitable for use in UL1640 applications

Inline Connectors

Amps	Power In (Blue)	Power Out (Gray)
25 Amp	HBLCPIBL	HBLCPOGY

25 Amp Panel Mounts

Style	Power In (Blue)	Power Out (Gray)
Standard	HBLPMIBL	HBLPMOGY
Divided	HBLPMIDBL	HBLPMODGY

Accessories

Description	Catalog Number
Panel mount retainer plate	HBLPMRP
Panel mount M3x.5 screw, 8mm long	HBLPMSC



Ideal for use with LED lighting and other applications including multiple screen video walls. The rear of the connector is black to blend in when used in visible areas.

Insul-Lock™ Connectors and Panel Mounts

Twist-Lock® Devices

NEMA Rating Color Coded by			NEMA Code #	Poles/Wires	AC HP Rating	Plug	Connector Body	Receptacle	Flanged Receptacle	Flanged Inlet	
Amps	Voltage					Black/White	Black/White				
15	125V	■	L5-15	2P/3W	0.5	HBL4720C HBL4720CST	HBL4729C HBL4729CST	HBL4710ST*	HBL4715C	HBL4716C	
	250V	■	L6-15		1.5	HBL4570C HBL4750CST	HBL4579C HBL4579CST	HBL4560ST*	HBL4585C	HBL4586C	
20	125V	■	L5-20		1	HBL2311ST*	HBL2313ST*	HBL2310 HBL2310ST*	HBL2316ST*	HBL2315ST*	
	250V	■	L6-20		2	HBL2321ST*	HBL2323ST*	HBL2320 HBL2320ST*	HBL2326ST*	HBL2325ST*	
	480V AC	■	L8-20		3	HBL2341	HBL2343ST*	HBL2340	HBL2346ST*	HBL2345ST*	
30	125V	■	L5-30		2	HBL2611ST*	HBL2613ST*	HBL2610 HBL2610ST*	HBL2616ST*	HBL2615ST*	
	250V	■	L6-30		2	HBL2621ST*	HBL2623ST*	HBL2620 HBL2620ST*	HBL2626ST*	HBL2625ST*	
	480V AC	■	L8-30		5	HBL2641ST*	HBL2643ST*	HBL2640	HBL2646ST*	HBL2645	
20	125V/250V	■	L14-20		3P/4W	2 (1)	HBL2411 HBL2411ST*	HBL2413ST*	HBL2410 HBL2410ST*	HBL2416ST*	HBL2415 HBL2415ST*
	3Ø 250V AC	■	L15-20			3	HBL2421 HBL2421ST*	HBL2423ST*	HBL2420 HBL2420ST*	HBL2426ST*	HBL2425 HBL2425ST*
	3Ø 480V AC	■	L16-20			5	HBL2431 HBL2431ST*	HBL2433ST*	HBL2430 HBL2430ST*	HBL2436ST*	HBL2435 HBL2435ST*
30	125V/250V	■	L14-30			2	HBL2711 HBL2711ST*	HBL2713ST*	HBL2710 HBL2710ST*	HBL2716ST*	HBL2715 HBL2715ST*
	3Ø 250V AC	■	L15-30	3		HBL2721 HBL2721ST*	HBL2723ST*	HBL2720 HBL2720ST*	HBL2726ST*	HBL2725 HBL2725ST*	
	3Ø 480V AC	■	L16-30	10		HBL2731 HBL2731ST*	HBL2733ST*	HBL2730 HBL2730ST*	HBL2736ST*	HBL2735 HBL2735ST*	
20	3ØY 120/208V AC	■	L21-20	4P/5W	2	HBL2511 HBL2511ST*	HBL2513ST*	HBL2510 HBL2510ST*	HBL2516ST*	HBL2515 HBL2515ST*	
	3ØY 120/208V AC	■	L22-20		5	HBL2521 HBL2521ST*	HBL2523ST*	HBL2520 HBL2520ST*	HBL2526ST*	HBL2525 HBL2525ST*	
30	3ØY 120/208V AC	■	L21-30		3	HBL2811 HBL2811ST*	HBL2813ST*	HBL2810 HBL2810ST*	HBL2816ST*	HBL2815 HBL2815ST*	
	3ØY 120/208V AC	■	L22-30		10	HBL2821 HBL2821ST*	HBL2823ST*	HBL2820 HBL2820ST*	HBL2826ST*	HBL2825 HBL2825ST*	

*EdgeConnect



Cable Carriers

PowerTrak® Cable Carriers

Protect your cable and hoses with our GRP Non-metallic Cable Carriers. Tough molded nylon links easily snap together to form exact length required. Sizes for cable or hoses to 1.676 inch diameter; cable hose bundle to 4.05 inches wide. Available in standard, flip-top and fully enclosed styles. Group cables and hoses with an optional snap-in separator.

Other styles and sizes of Cable Carriers are available. Visit our web site for more information.



Ordering Information

Max. Height Largest O.D. Hose/ Cable in. (mm)	Max. Width Hose/Cable Bundle in. (mm)	Basic Kit 3 Ft. Travel (With brackets)
0.286 (7)	0.531 (13)	P10-1-1.4-3.0
0.286 (7)	0.900 (23)	P10-2-1.4-3.0
0.382 (9)	0.900 (23)	P10-2-1.9-3.0
0.410 (10)	1.350 (34)	P13-1-2.0-3.0
0.740 (19)	1.350 (34)	P13-1-3.7-3.0
0.410 (10)	2.052 (52)	P13-2-2.0-3.0

Powerohm Resistor

Powerohm's Type CR Case Resistors are commonly used for light-duty braking of variable frequency drives. The Type CR resistors are suitable for intermittent and continuous duty applications requiring relatively high resistance and low wattage. The compact size of this unit makes it ideal for an installation where space is a premium. This unit can withstand extreme shock and vibration.



Resistance	Wattage	Width	Depth	Height	Mounting
5-500	100	6	1.5	0.75	5.56
5-750	125	7.5	1.5	0.75	7.06
10-750	150	9	1.5	0.75	8.56
10-1000	200	6	3	1.5	5.19
10-1000	250	7.5	3	1.5	6.69
10-1500	300	9	3	1.5	8.19
10-2000	400	12	3	1.5	11.19
15-2000	500	15	3	1.5	14.19



GET IN TOUCH:



GleasonOrders@hubbell.com



(920) 387-4120



www.hubbell.com/gleasonreel



Gleason Reel
600 South Clark St.
Mayville, WI 53050



A Hubbell brand

©2024 Gleason Reel. All rights reserved.
Hubbell and the Hubbell logo are registered trademarks or trademarks of Hubbell Incorporated. All other trademarks are the property of their respective owners.

HHI-GR-CAT-EN-02274 | 10/2024