



PQS[™]
Power Quality Solutions

Active Harmonic Filter



Active Harmonic Filter

CONTENTS

Descriptions

- General Information
- Technical Specification
- Ordering Information
- Application Data .



General Information System Features

Nominal voltage 200 V AC - 480 V AC,

3 level inverter topology

Each filter can filter the 2nd through 50th harmonics in fully selectable mode or thru the 25th in programmable mode.

Filter Operation Modes: All harmonics & selectable harmonics.

Modules have unlimited scalability using a Master/ Master scene, and the modules will show the load evenly across all the paralleled units

Conformal coating on all PCB's.

Forced air temperature-controlled fans.

Connections

Current Transducer (CT) Network and Load Side, the minimum CT class accuracy needs to be 1.0 or better. No limitations on the primary side, and 1 amp/5 amps load currents on the secondary side, with auxiliary currents less than 5 amps.

Interface

7" touch screen with multilingual graphical display. The HMI can control up to 7 modules using a single ethernet cable. Multiple HMI can be used in a system.

HMI's software can be updated via an ethernet cable or USB drive.

Mechanical Features

Conformal coating on all PCB's , enclosure is galvanized steel, cooled by temperature-controlled fans. Typical noise at full load between 60 DB - 70 DB per enclosure.

Active Harmonic Filter

Installation and Operation

Operating temperature 5°C to 40°C and a maximum 85% of non-condensing humidity, up to

1000 m altitude without derating.

The enclosure allows for both top and bottom main cable entry.

Pricing and Ordering Information

To create the ordering part number

Apex- amperage rating- Enclosure type- System Voltage
- D- Main line switch option- Other options

Example for 50 amps, NEMA 1, 480 V AC, no options

Apex50G4DN1YYY

Amperage Rating	Number of Filters	Rated Frequency
50	1	50 - 560 Hz
100	1	50 - 560 Hz
150	1	50 - 560 Hz
200	1	50 - 560 Hz
300	2	50 - 560 Hz
400	2	50 - 560 Hz
500	3	50 - 560 Hz
600	3	50 - 560 Hz
700	4	50 - 560 Hz
800	4	50 - 560 Hz

Enclosure Types

NEMA 1 = S

NEMA 3R = W

System Voltage Options

240 V AC = 2

480 V AC = 4

Main Line Disconnect Options

No Disconnect = N1

Schneider Electric Molded Case Switch = D2

Rockwell Molded Case Switch = D3

Siemens Molded Case Switch= D4

Eaton Molded Case Switch = D5

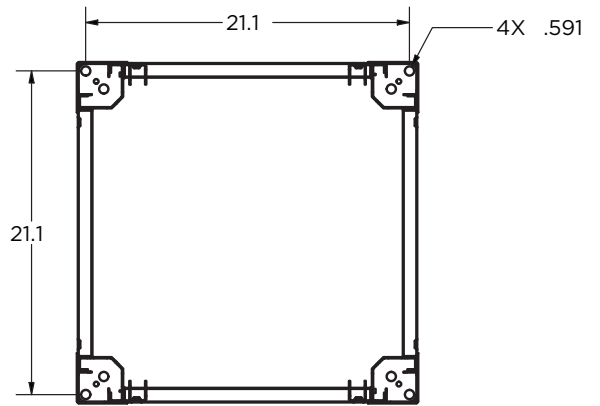
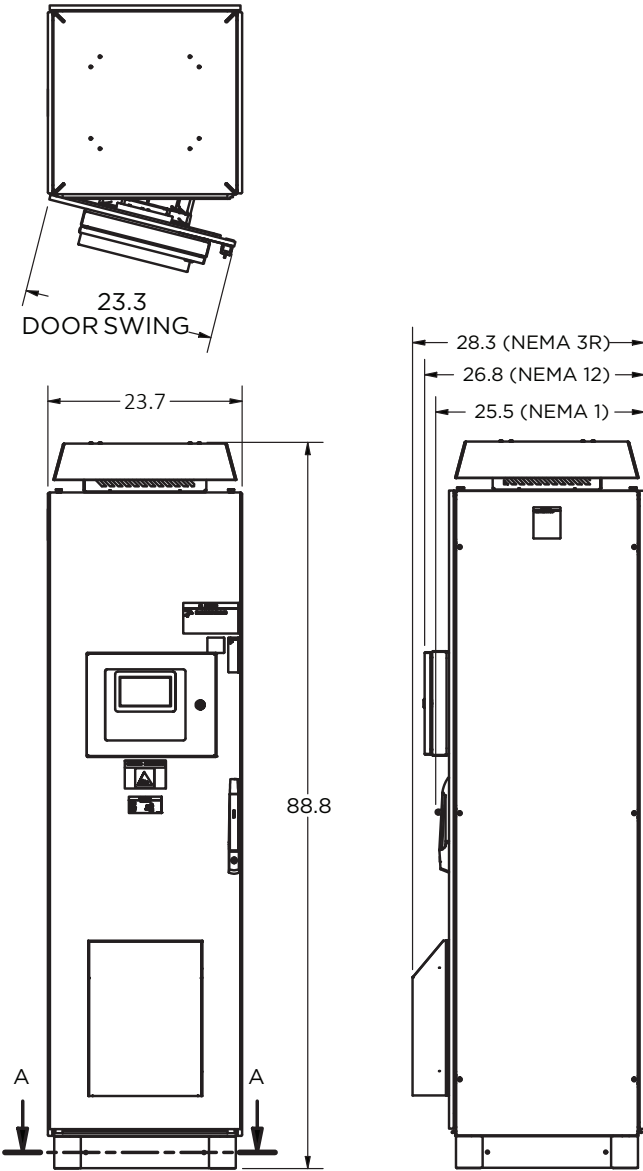
Space Heater Options

No options = YYY

Thermostat Controlled Space Heater = H18

Active Harmonic Filter

24 INCH
NEMA 1, 12, OR 3R
50A - 400A
NO BREAKER



Active Harmonic Filter

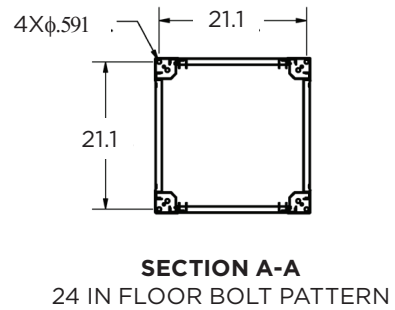
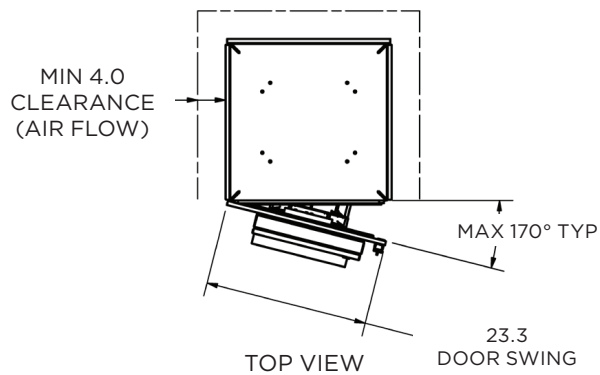
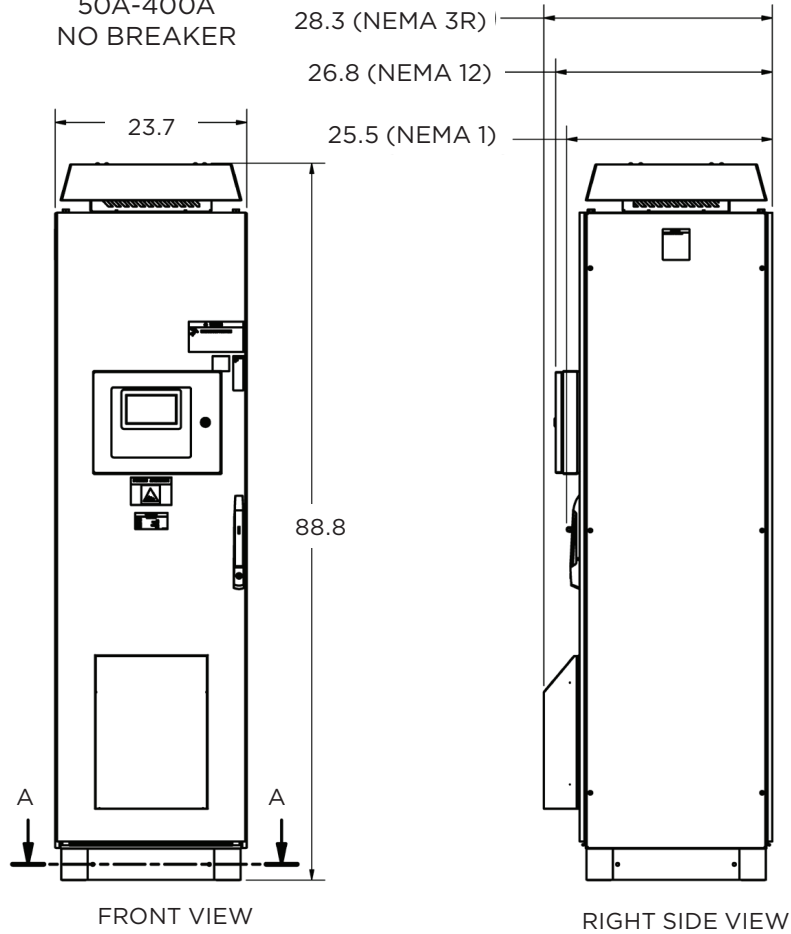
NON CIRCUIT BREAKER SELECTION MATRIX

	NEMA 1	NEMA 3R
50A-400A	24"	24"
500A-800A	48"	48"

CIRCUIT BREAKER SELECTION MATRIX

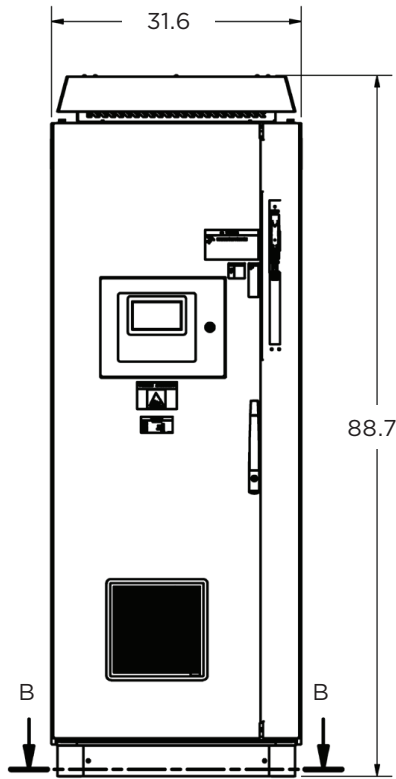
	NEMA 1	NEMA 3R
50A-400A	32"	39"
500A-800A	56"	63"

24 INCH
NEMA 1, 12, OR 3R
50A-400A
NO BREAKER



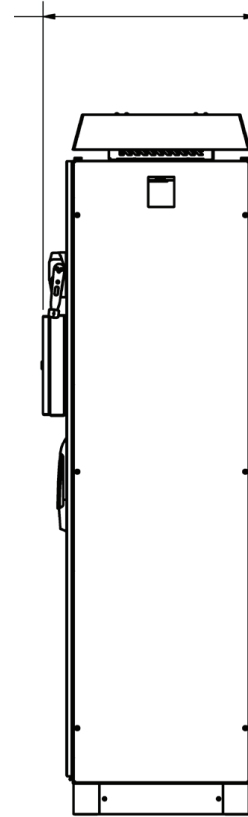
Active Harmonic Filter

32 INCH
NEMA 1 OR 12
50A-400A
WITH BREAKER

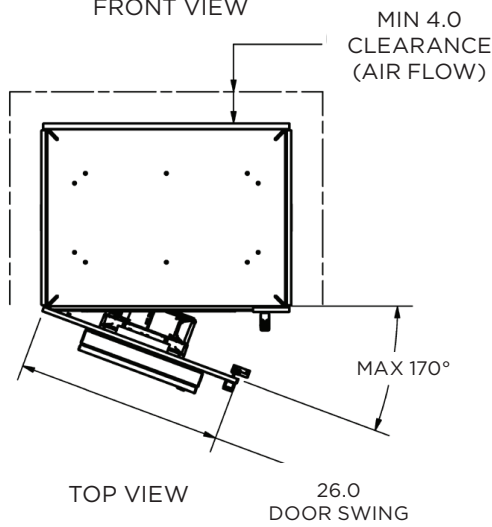


FRONT VIEW

26.9
(NEMA 1 OR 12)

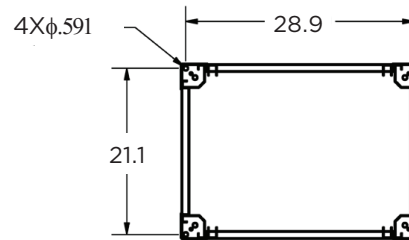


RIGHT SIDE VIEW



TOP VIEW

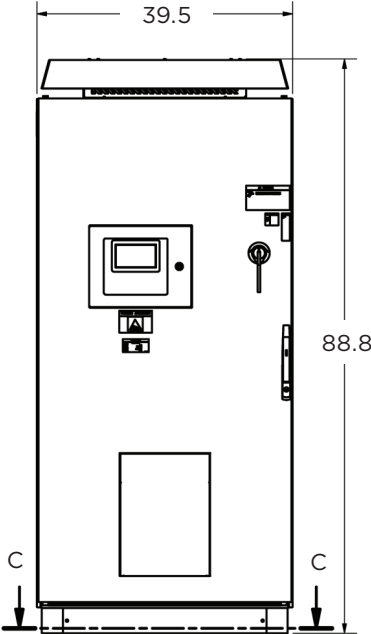
26.0
DOOR SWING



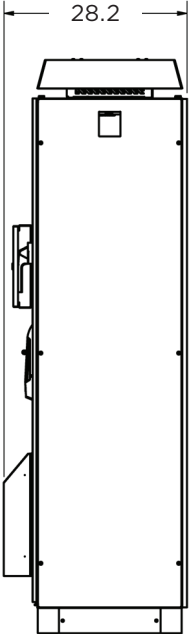
SECTION B-B
39 IN FLOOR BOLT PATTERN

Active Harmonic Filter

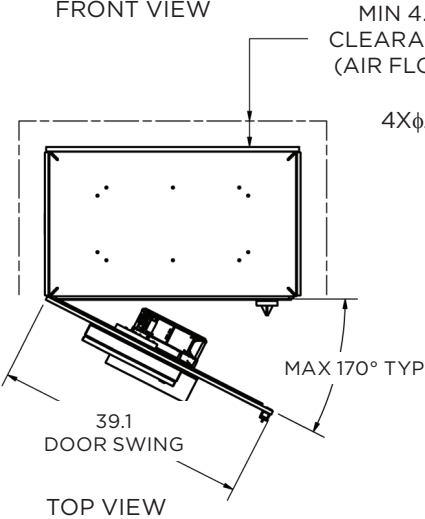
39 INCH
NEMA 3R
50A-400A
WITH BREAKER



FRONT VIEW

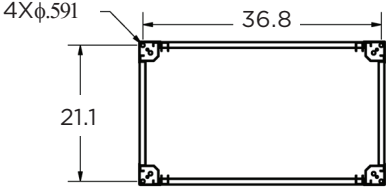


RIGHT SIDE VIEW



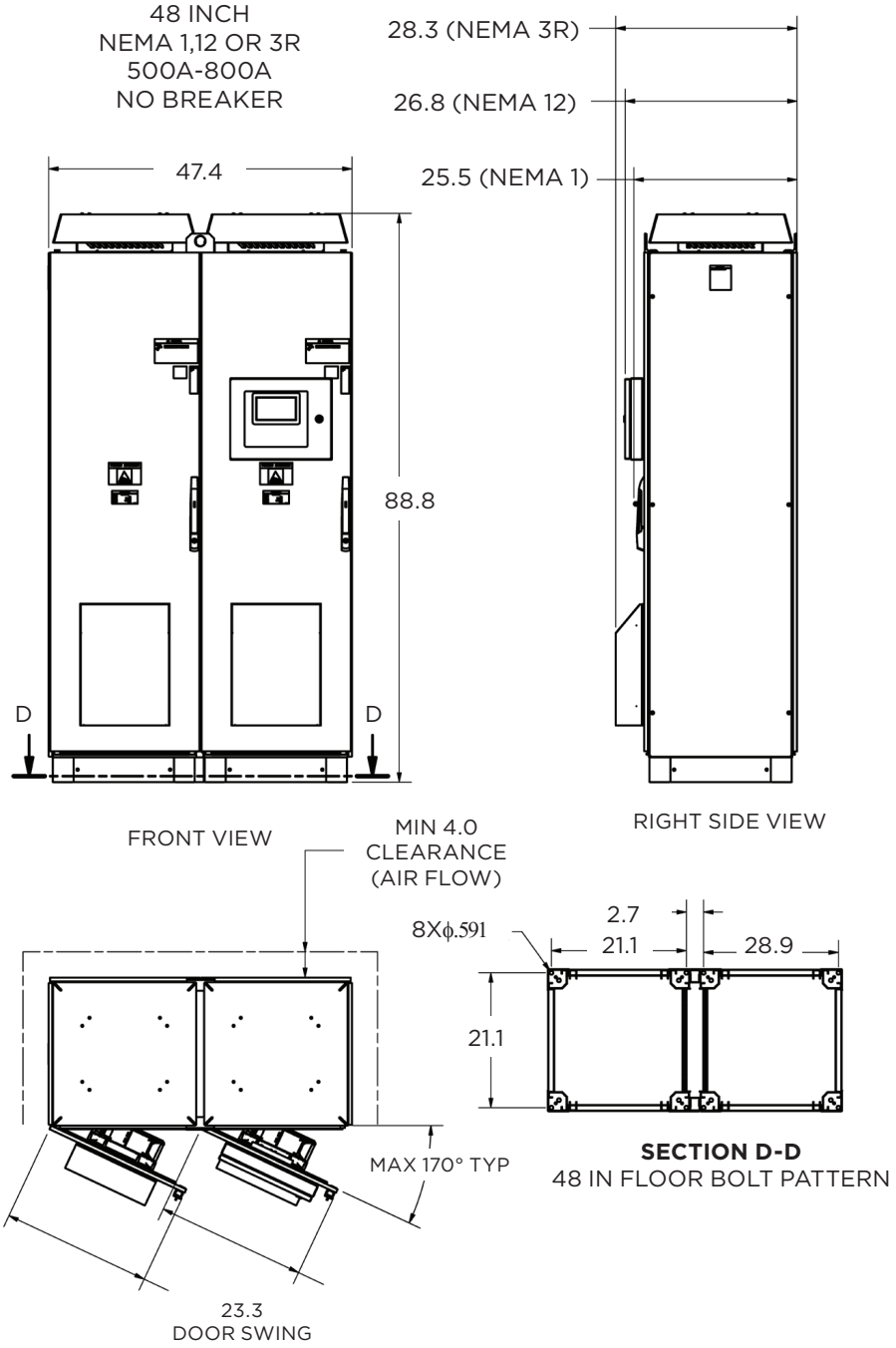
TOP VIEW

MIN 4.0
CLEARANCE
(AIR FLOW)

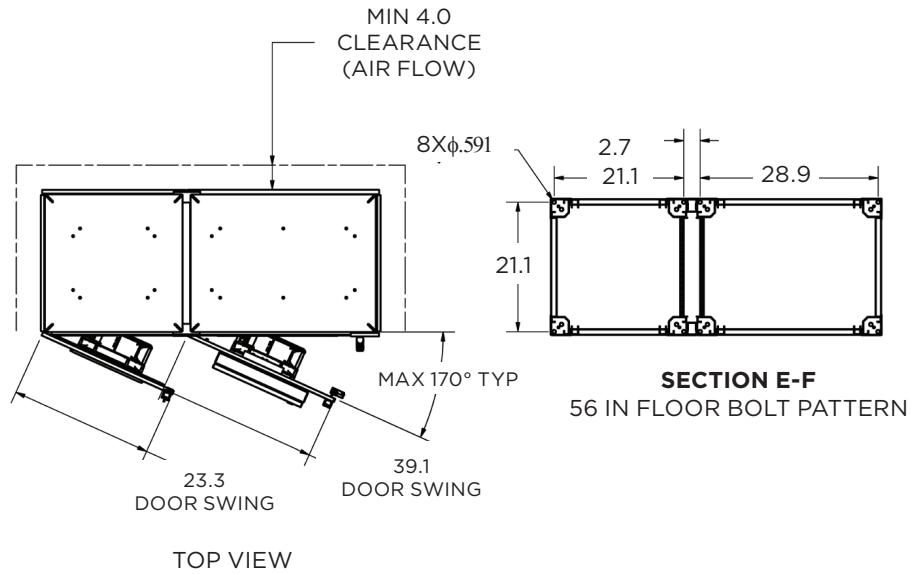
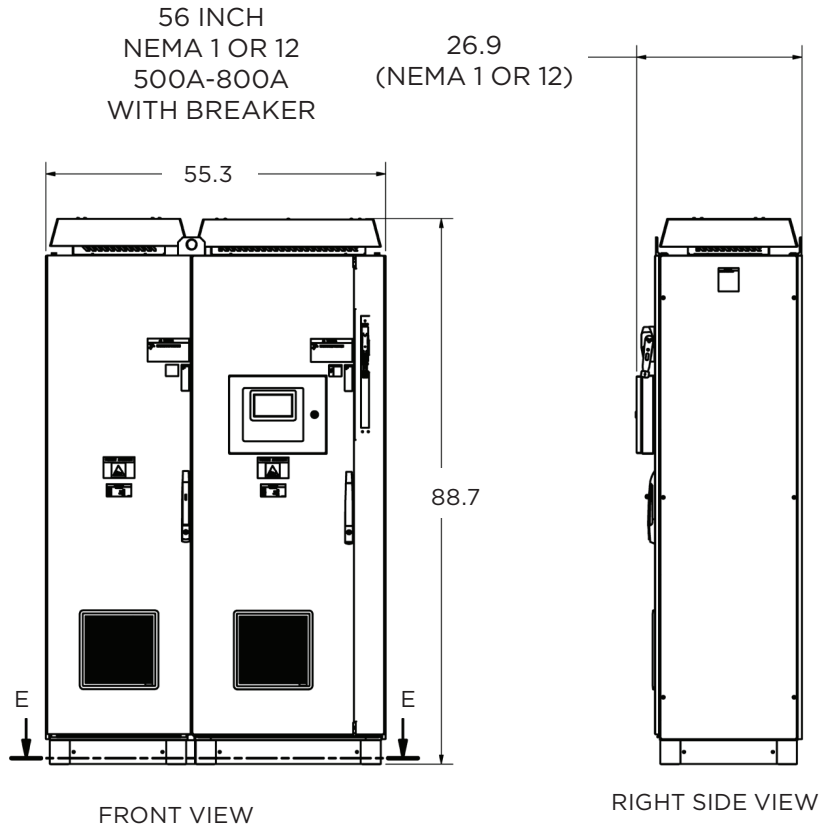


SECTION C-C
39 IN FLOOR BOLT PATTERN

Active Harmonic Filter

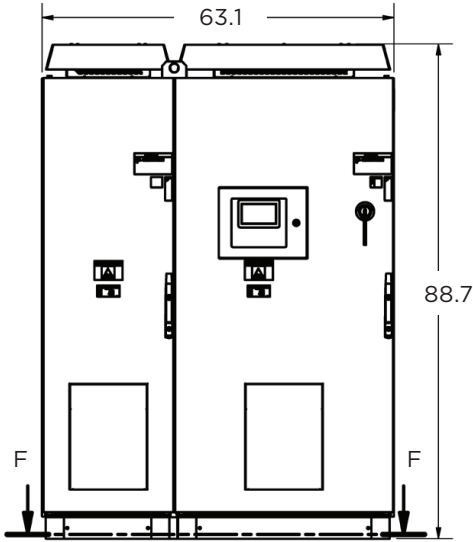


Active Harmonic Filter

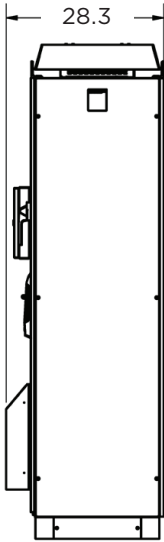


Active Harmonic Filter

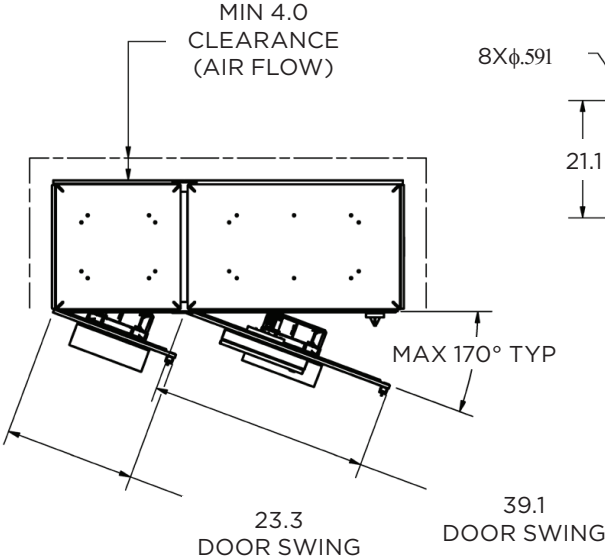
63 INCH
NEMA 3R
500A-800A
WITH BREAKER



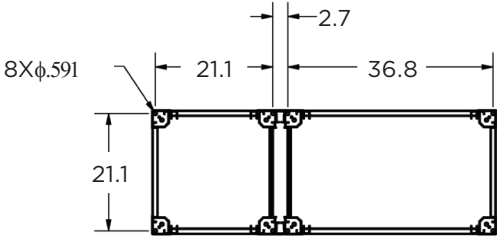
FRONT VIEW



RIGHT SIDE VIEW

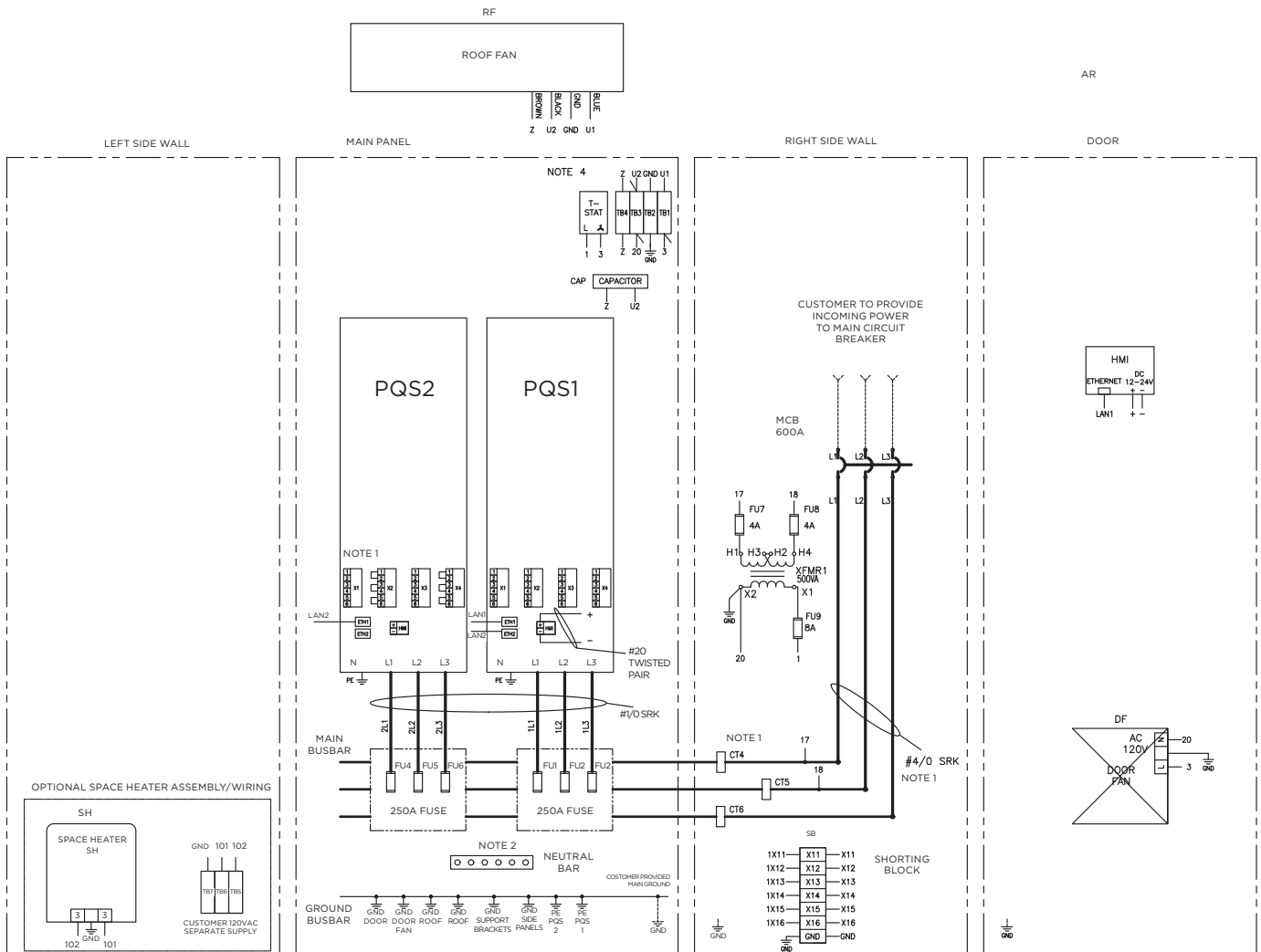


TOP VIEW



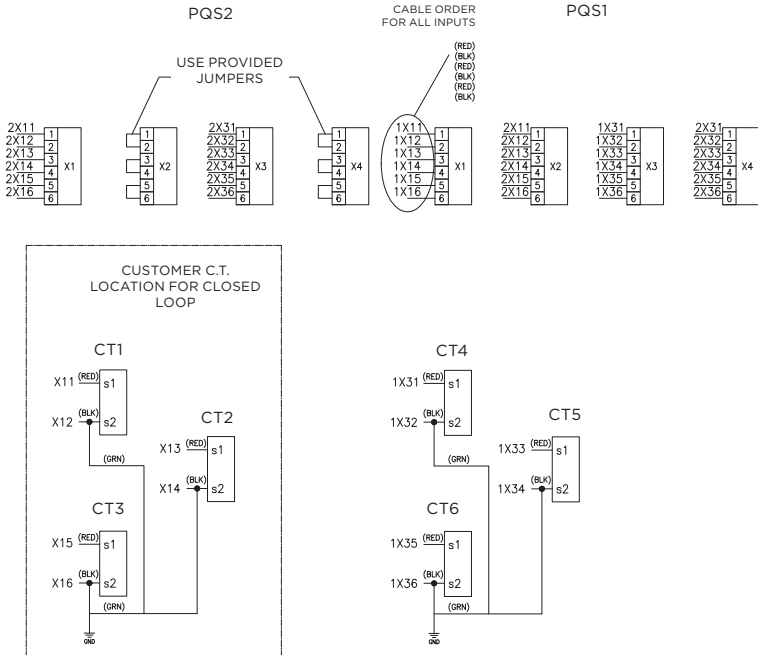
SECTION F-F
63 IN FLOOR BOLT PATTERN

Active Harmonic Filter

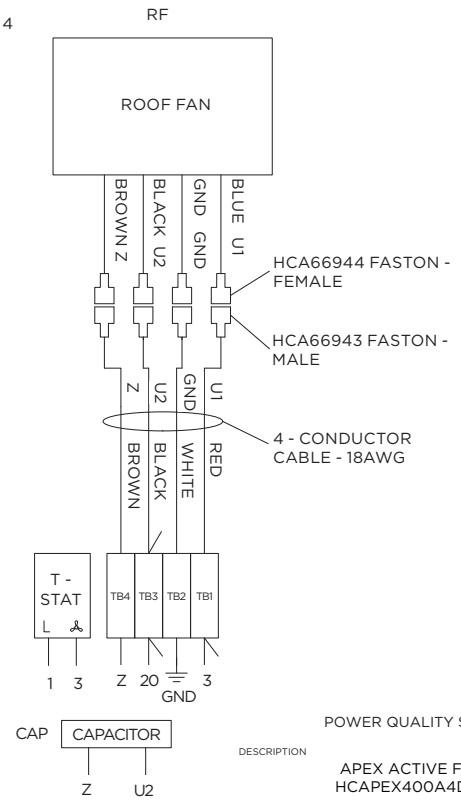


Active Harmonic Filter

NOTE 1



NOTE 4



A proud member of the Hubbell family.

©2024 Powerohm Resistors. All rights reserved.
Hubbell name and logo are trademarks or registered trademarks of Hubbell Incorporated. Other trademarks are property of their respective owners.
N56 W13385 Silver Spring Dr., Menomonee Falls, WI 53051
www.hubbell.com/powerohm | 800-838-4694

HHI-POR-CP-EN-02011 04/2024