

Speed Responsive Switch**2310**

Price List 2310 • January 2021, Replaces March 2018 • Discount Code FJ

**Non-Contact Speed Responsive Switches
2 Wire AC or 3 Wire Low Voltage DC**

| Catalog Identification | Catalog Part Number | Description 2 Wire 120 VAC | List Price |
|------------------------|---------------------|----------------------------------|----------------|
| 2310-LSP | HC48910101 | Low Speed, Plastic Housing | \$3,390 |
| 2310-HSP | HC48910102 | High Speed, Plastic Housing | \$3,390 |
| 2310-LSHP | HC48910151 | Low Speed, Nickel-Plated Sleeve | \$3,674 |
| 2310-HSNP | HC48910152 | High Speed, Nickel-Plated Sleeve | \$3,674 |

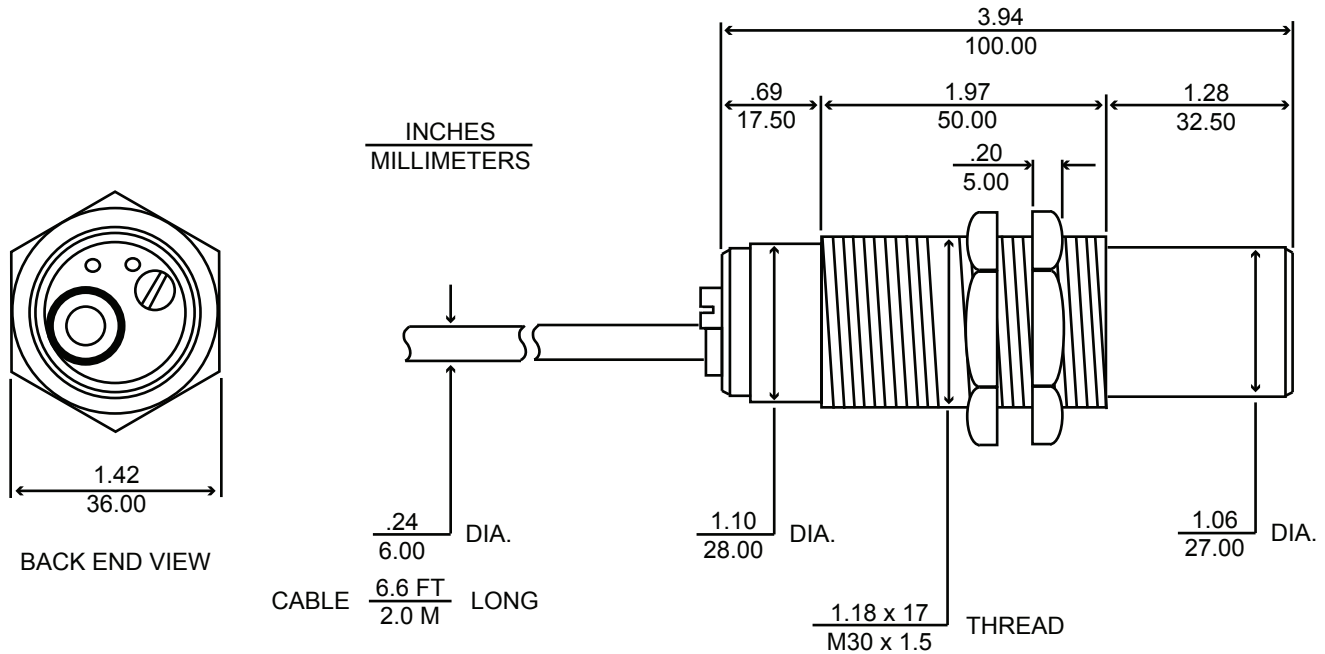
| Catalog Identification | Catalog Part Number | Description 3 Wire 12-24 VDC "Load Sinking" | List Price |
|------------------------|---------------------|--|----------------|
| 2310-NPNOLSP | HC48952101 | Low Speed, Plastic Housing N.O. Contact | \$4,430 |
| 2310-NPNCLSP | HC48952102 | Low Speed, Plastic Housing N.C. Contact | \$4,430 |
| 2310-NPNOHSP | HC48952103 | High Speed, Plastic Housing N.O. Contact | \$4,430 |
| 2310-NPNCHSP | HC48952104 | High Speed, Plastic Housing N.C. Contact | \$4,714 |
| 2310-NPNOLSNP | HC48952151 | Low Speed, Nickel-Plated Sleeve N.O. Contact | \$4,714 |
| 2310-NPNCLSNP | HC48952152 | Low Speed, Nickel-Plated Sleeve N.C. Contact | \$4,714 |
| 2310-NPNOHSNP | HC48952153 | High Speed, Nickel-Plated Sleeve N.O. Contact | \$4,714 |
| 2310-NPNCHSNP | HC48952154 | High Speed, Nickel-Plated Sleeve N.C. Contact | \$4,714 |

| Catalog Identification | Catalog Part Number | Description 3 Wire 12-24 VDC "Load Sourcing" | List Price |
|------------------------|---------------------|--|----------------|
| 2310-PNPOLSP | HC48953101 | Low Speed, Plastic Housing N.O. Contact | \$4,430 |
| 2310-PNPCLSP | HC48953102 | Low Speed, Plastic Housing N.C. Contact | \$4,430 |
| 2310-PNPOHSP | HC48953103 | High Speed, Plastic Housing N.O. Contact | \$4,430 |
| 2310-PNPCHSP | HC48953104 | High Speed, Plastic Housing N.C. Contact | \$4,430 |
| 2310-PNPOLSNP | HC48953151 | Low Speed, Nickel-Plated Sleeve N.O. Contact | \$4,714 |
| 2310-PNPCLSNP | HC48953152 | Low Speed, Nickel-Plated Sleeve N.C. Contact | \$4,714 |
| 2310-PNPOHSNP | HC48953153 | High Speed, Nickel-Plated Sleeve N.O. Contact | \$4,714 |
| 2310-PNPCHSNP | HC48953154 | High Speed, Nickel-Plated Sleeve N.C. Contact | \$4,714 |

Prices are subject to change without notice.

Accessories and Dimensions on following page.

OUTLINE DRAWING NON-CONTACT SPEED SWITCH



| ACCESSORIES | | |
|-----------------------------|-------------|------------|
| Description | Part Number | List Price |
| Black Mounting Jam Nut | HC48916001 | \$40 |
| Nickel-Plated Brass Jam Nut | HC48916002 | \$60 |
| Mounting Bracket | HC48943000 | \$28 |

See Catalog 2310
for Application Information

Prices are subject to change without notice.

