

The Euclid Mini-Master Switch uses a handle operated cam switch mechanism in a NEMA rated housing. It is engineered for use where master switch control is preferred, for CMAA duty overhead crane and similar applications.

- Housings for surface or flush mounting
- NEMA Types 1, 3, 4 and 13
- Very compact size
- Choice of spring return vertical handle or maintained position vertical handle
- Plunger detents give operator "positive position feel"
- Heavy-duty, cam-operated switch units
- Up to 5-speed points in each direction
- Up to 16 circuits plus feed for each direction provide unlimited operation sequences
- Jam-proof mechanism for contact protection
- CSA Certified



Application

Euclid Mini-Master Switches are engineered to meet the need for a small, multi-circuit master switch for installations such as small crane cabs and mill auxiliaries.

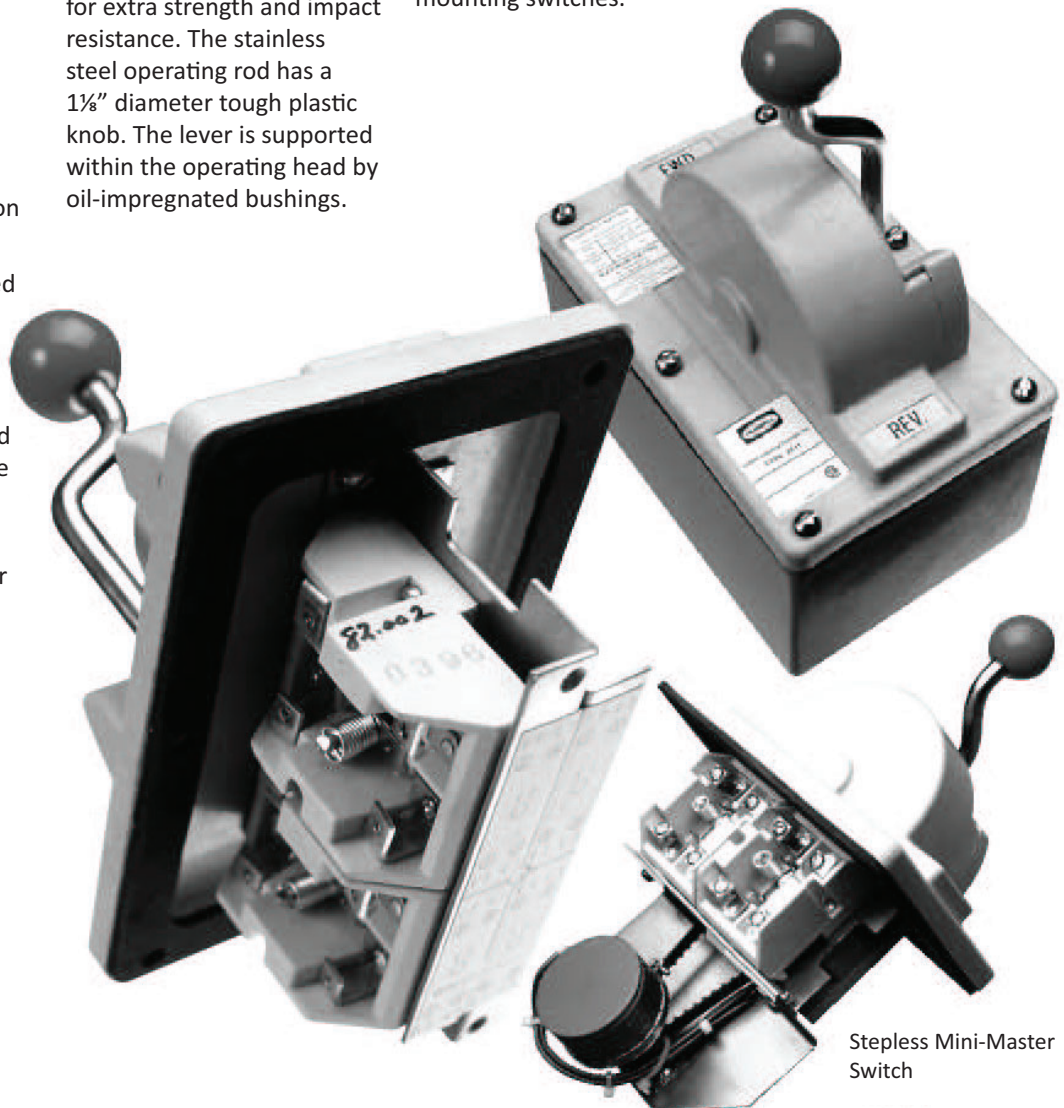
Description

The operating head is molded of tough fiberglass reinforced polyester resin. The housing is engineered for extra strength and impact resistance. The stainless steel operating rod has a 1½" diameter tough plastic knob. The lever is supported within the operating head by oil-impregnated bushings.

The operating mechanism within the head is comprised of precision machined components carefully assembled and tested to assure a long, trouble-free service life.

The enclosure to which the head is fastened is a die-formed metal stamping. On NEMA 1 housings, two ¾" knockouts are supplied. The operating head is gasketed for sealing to the enclosure or customer's panel on flush mounting switches.

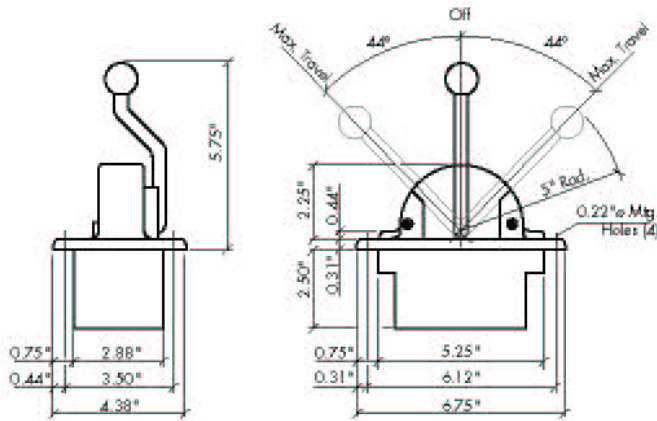
The cam-operated inserts are similar to those used with Hubbell Type PBC & WPBC Pushbutton Stations, with the following modifications: The operating plungers are glass-fibre reinforced plastic with a special lip overhang to interlock with the operating lever. Plungers are also equipped with location detents, corresponding to the cam development and speed points. This feature provides the operator with a "positive position feel."



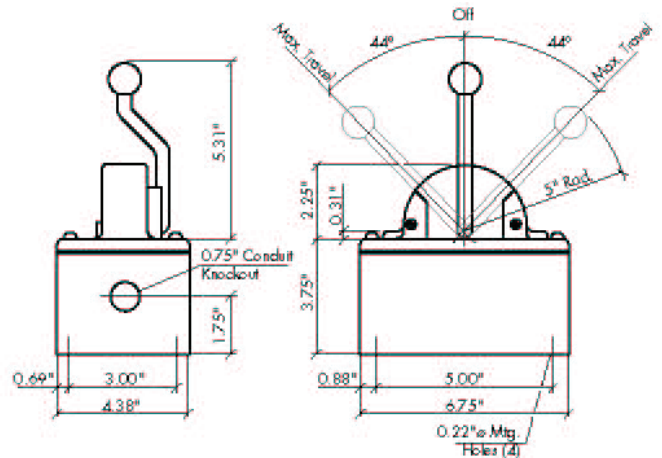
Stepless Mini-Master Switch



Diagrams & Dimensions



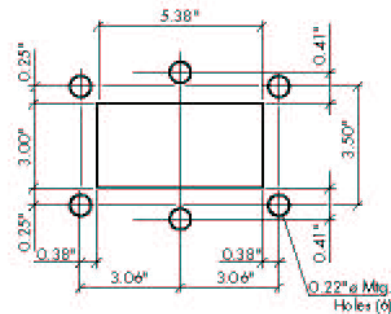
Flush Mounted Mini-Master Switch



Surface Mounted Mini-Master Switch

Contact Ratings
Single Break

AC NEMA B150	120V	3A
	240V	—
DC NEMA P300	125V	1.1A
	250V	0.55A



Cutout and Drilling for Flush Mounted Mini-Master Switch



Hubbell Industrial Controls, Inc.

a subsidiary of Hubbell Incorporated

4301 Cheyenne Drive, Archdale, NC 27263

Phone (336) 434-2800 | Fax (336) 434-2801

www.hubbell.com/hubbellindustrialcontrols/en

sales@hubbell-icd.com