



The rugged **69H Pressure Switch** is designed for the demanding requirements of larger, heavy duty commercial compressors (up to 250 psi). Sturdy painted steel case and cover resists the harsh conditions encountered in industrial applications. An automatic unloader valve is also available.

**69H Switch Features Include:**

- 5 Hp 250 PSI max
- Rugged steel case and cover
- 3/8 Female NPT
- Easy adjustment
- No drift pressure settings
- Ample wiring room / 2 ground screws
- Visible contacts
- UL listed file #E14861
- CSA certified file LR36854

**69H for Air Systems**

Min. Close Cut-In PSI	Max. Open Cut-Out PSI	Differential Range PSI	Pressure Adjustment Table (see below)	Horsepower				Factory Setting	NEMA 1 General Purpose Model No.	NEMA 1 w/ Unloader Valve Model No.
				1 Phase		3 Phase				
				120V	240V	240V	480/600V			
40	250	35-60	H	2.0	3.0	5.0	5.0	115-150	69HA1	69HAU1
40	250	35-60	H	2.0	5.0	5.0	5.0	115-150	69HB1	69HBU1
10	125	20-35	I	2.0	3.0	5.0	5.0	100-125	69HA2	69HAU2
10	125	20-35	I	2.0	5.0	5.0	5.0	100-125	69HB2	69HBU2
15	60	7-15	J	2.0	3.0	5.0	5.0	30-40	69HA3	69HAU3
15	60	7-15	J	2.0	5.0	5.0	5.0	30-40	69HB3	69HBU3

**PSI Table H**

Cut-in-A	Cut-Out-B	
	Min.	Max.
40	70	100
60	90	121
80	110	141
100	131	161
120	152	181
140	173	201
160	194	222
180	215	242
200	236	250
215	250	250

**PSI Table I**

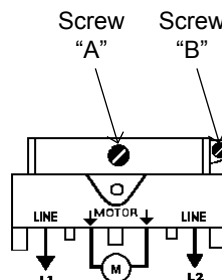
Cut-in-A	Cut-Out-B	
	Min.	Max.
8	28	46
10	30	48
20	40	58
30	50	68
40	60	78
50	70	88
60	80	98
70	90	109
80	99	119
90	109	125
100	119	125
107	125	125

**PSI Table J**

Cut-in-A	Cut-Out-B	
	Min.	Max.
14	20	30
20	26	36
25	31	41
30	36	46
35	41	51
40	46	57
45	51	60
50	57	60
53	60	60

**Electrical Ratings**

Model No.	Control Circuit	Horsepower				
		1 Phase		3 Phase		DC
		120V	240V	240V	480/600V	
69HA	A600	2.0	3.0	5.0	5.0	2
69HB	A600	2.0	5.0	5.0	5.0	2



**Pressure Adjustment Settings**

Screw "A" - Turn clockwise to increase and counterclockwise to decrease pressure range (both cut-in and cut-out).

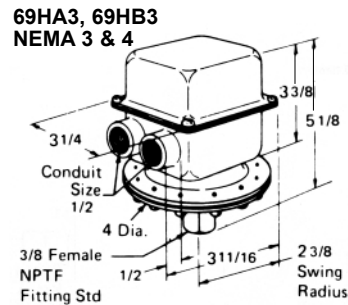
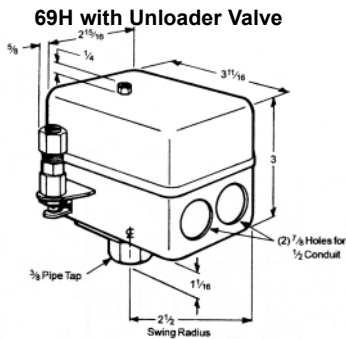
**Differential Adjustment**

Screw "B" - Turn clockwise to increase and counterclockwise to decrease cut-out pressure.

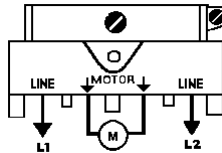
*NOTE: Differentials shown on tables above are averages only.*

**69H Modifications**

Description	Model Number Suffix add suffixes in order shown	Minimum
Quick connects (load terminal only)	A	24 Min
Two grommets for 1/2" conduit hole	G	24 Min
NEMA 3	W	No Min
NEMA 4	X	No Min
<b>Pipe Fittings:</b>		
1/4" male NPT	2A	24 Min
1/4" female NPT	2S	24 Min
Special pressure settings: suffix Z is followed by setting Example: 69HA1Z140175	Z	24 Min



**Connection Diagram**



**Replacement Parts**

Description	Model No.
Parts Kits (for 69HA1, 69HA2, 69HAU1, 69HAU2, 69HB1, 69HB2, 69HBU1, 69HBU2) <i>Includes diaphragm and complete contact assembly</i>	75HB69
Parts Kits (for 69HA3, 69HAU3, 69HB3, 69HBU3) <i>Includes diaphragm and complete contact assembly</i>	75HB369
Unloader valve	69DCA
Grommets for 1/2" conduit hole	D00492001



**Hubbell Industrial Controls, Inc.**

*a subsidiary of Hubbell Incorporated*  
 4301 Cheyenne Drive, Archdale, NC 27263  
 Phone (336) 434-2800 | Fax (336) 434-2801  
 www.hubbell-icd.com  
 sales@hubbell-icd.com