

Alternating Relay

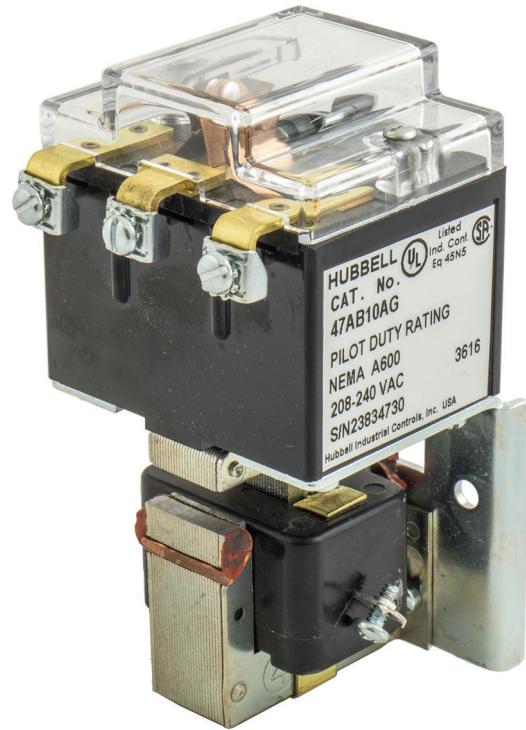
Catalog & Price List • January 2021, Replaces April 2013

Description

The Class 47 alternator relay provides a means of automatically alternating the operation of two separately mounted motor driven pumps or compressors. This alternating action assures even readiness and wear on both pumps.

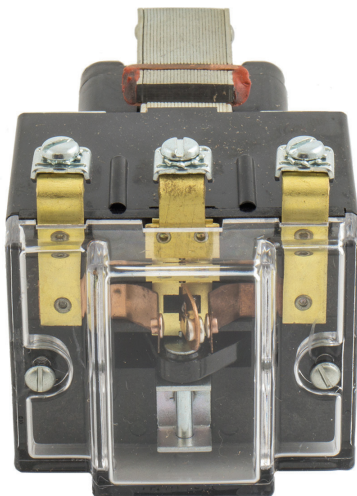
The Class 47 alternator is of industrial design specifically for use in pump and compressor applications. It is easily field installed and wired in control panels, pump panels or as a separately enclosed unit for surface mounting.

The alternator has single pole double throw heavy duty 10 ampere silver cadmium oxide contacts enclosed in a transparent dust cover. The snap action contacts transfer when the unit is de-energized. The circuit is never closed or opened while current is being conducted. This provides increased control life. The alternator is wired to operate the second motor starter the next time a pump operation is required.



Features

- No Load Transfer
- Industrial Design
- Front Wired
- NEMA Rating A600
- SPDT 10 Amp Contacts
- UL Listed
- CSA Certified



NEMA AC Ratings 50/60 Hz		
NEMA A600 10 Amps Cont.		
Volts	Make	Break
120	60	6
240	30	3
480	15	1.5

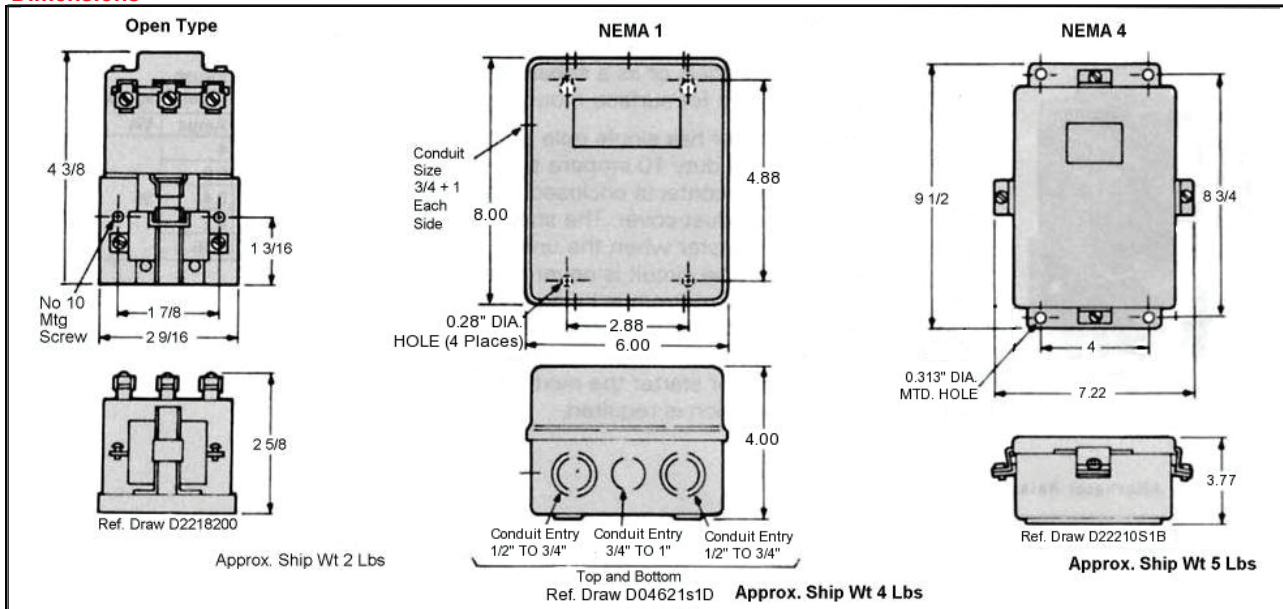
Coil Data					
Watts	Volts 60 Hz	Inrush (Open Magnet)		Normal (Sealed Magnet)	
		Amps	VA	Amps	VA
4	24	4		0.629	
	120	0.8		0.126	
	240	0.4	96	0.063	15.1
	480	0.2		0.031	

Discount Code FP

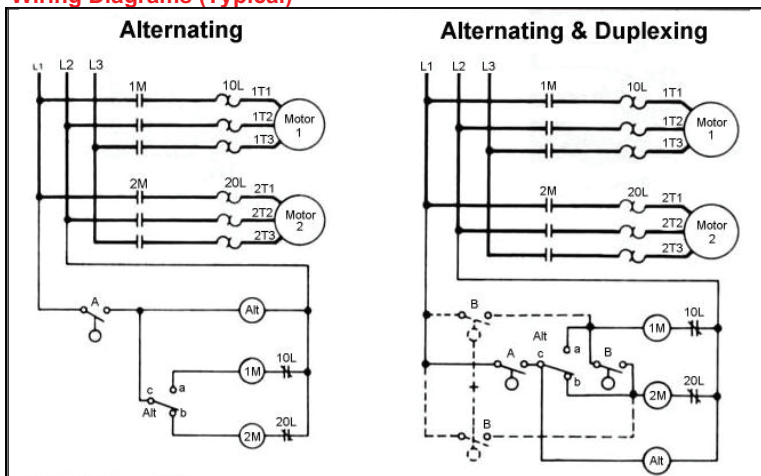
Volts 60Hz	Open Type		NEMA 1*		NEMA 4*	
	Catalog No.	List Price	Catalog No.	List Price	Catalog No.	List Price
24	47AB10AJ	\$864	47AB10BJ	\$1,374	47AB10EJ	\$1,734
120	47AB10AF	\$864	47AB10BF	\$1,374	47AB10EF	\$1,734
200	47AB10AD	\$864	47AB10BD	\$1,374	47AB10ED	\$1,734
240	47AB10AG	\$864	47AB10BG	\$1,374	47AB10EG	\$1,734
480	47AB10AH	\$864	47AB10BH	\$1,374	47AB10EH	\$1,734

*Consult Factory for Enclosed Relays

Dimensions



Wiring Diagrams (Typical)



Replacement Parts



Class	Volts 60Hz	Catalog No.	Disc. Code FS List Price
47	24	75D50833J	\$252
47	120	75D50833F	\$252
47	200	75D50833D	\$252
47	240	75D50833G	\$252
47	480	75D50833H	\$252



Hubbell Industrial Controls, Inc.
 4301 Cheyenne Drive, Archdale, NC 27263
 Phone (336) 434-2800 | Fax (336) 434-2801
www.hubbell.com/hubbellindustrialcontrols/en
sales@hubbell-icd.com