



industrial controls division

APPLICATION DATA

5330

June 1983

# FREQUENCY SENSOR

## CROSS REFERENCE BETWEEN OLD STYLE AND NEW STYLE FREQUENCY SENSOR

The new style frequency sensor utilizes individual, separate mounting, devices for each frequency set point. The old style frequency sensor utilized one mounting pan for up to six frequency set points.

### To Cross Reference:

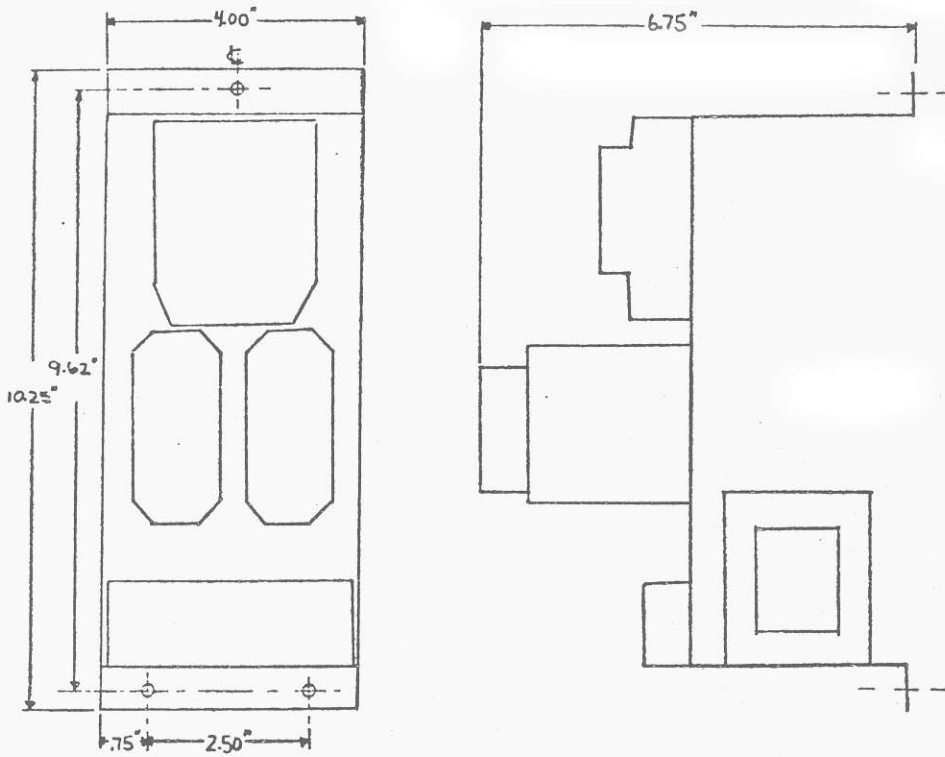
Old Style "1FDU" set point requires one (1) New Style "master" unit with power supply (P/N 48746-xxx).

Old Style "2FDU" - "6FDU" set points require one (1) - five (5) New Style "slave" units without power supply (P/N 48751-xxx). Note the "slave" units must be used with a "master" unit.

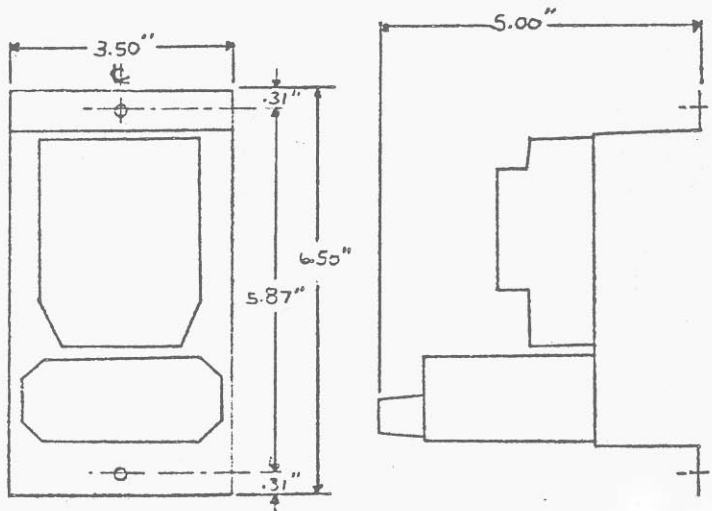
OLD STYLE		NEW STYLE					
DESCRIPTION	PART NUMBER	1FDU 48746-	2FDU 48751-	3FDU 48751-	4FDU 48751-	5FDU 48751-	6FDU 48751-
Single Relay Unit	48442-701 48442-703 48442-705 48442-707	-101 -103 -105 -107					
Two Relay Unit	48014-202	-103	-103				
Three Relay Unit	48014-401	-103	-103	-101			
Four Relay Unit	48014-402	-103	-103	-103	-101		
Five Relay Unit	48014-601 48014-602 48014-605	-103 -105 -103	-103 -103 -103	-103 -103 -103	-101 -101 -101	-101 -107 -107	
Six Relay Unit	48014-603 48014-604	-103 -105	-103 -103	-103 -103	-103 -101	-101 -101	-101 -107

NEW STYLE

FREQUENCY SENSOR DIMENSIONS



FREQUENCY SENSOR WITH POWER SUPPLY



FREQUENCY SENSOR WITHOUT POWER SUPPLY

APPROXIMATE DIMENSIONS



industrial controls division

4301 Cheyenne Dr., Archdale, NC 27263  
Ph. (336) 434-2800 • FAX (336) 434-2803  
<http://www.hubbell-icd.com>  
Sales@hubbell-icd.com