



DISTRIBUTION EQUIPMENT TABLE OF CONTENTS



**XEC Series**  
 Circuit Breakers..... 2-3



**B7L Series**  
 Lighting Panelboards ..... 21-24



**B7C Series**  
 Prism Circuit Breakers ..... 4-7



**D2LC/D2PC Series**  
 Factory Sealed Panelboards ..... 25-30



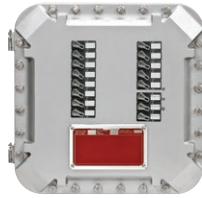
**DEDS Series**  
 Disconnect Switches  
 3 Pole/Non-Fusible..... 8-9



**EXPB2 & 3 Series**  
 Power Panelboards ..... 31-39



**XEDS Series**  
 Disconnect Switches  
 3 Pole/Non-Fusible..... 10-11



**EXBLI/EXBSPI Series**  
 IEC Circuit Breaker Panelboards ..... 40-45



**B7NFD Series**  
 Compact Non-Fused  
 Disconnect Switches..... 12-13



**GFCS Series**  
 Ground Fault Control Station ..... 46-47



**EXBLTP Series**  
 Fused and Non-Fused Disconnect Switches  
 3 Pole Non-Fusible & Fusible..... 14-17



**Custom Solutions** ..... 48-49



**EXB-NFD, EXB-FDS Series**  
 Disconnect Switches  
 3 Pole Non-Fusible & Fusible..... 18-20



## CIRCUIT BREAKER ENCLOSURES



**Class I, Div. 1 & 2, Groups C,D**  
**Class I, Zones 1 & 2, Groups IIB, IIA**  
**Class II, Div. 1 & 2, Groups E, F, G**  
**Class III**  
**TYPE 7 (C, D) 9 (E, F, G)**

 LISTED - File E30962 Indoor Rated

 Certified - File LR18179

## FEATURES-SPECIFICATIONS

### Features

- Rectangular bolted cover design provides for attractive, compact, uniform installations
- Two cast conduit hubs; one top and one bottom
- Internal circuit breaker handle mechanism is a sliding plate type mounted to the cover
- External handle is vault type with standard provisions for locking in "OFF" position with up to three padlocks
- Provisions for locking in "ON" position available as factory modification (add suffix SU40 to catalog number)
- Circuit breaker is trip free of handle mechanism
- Locking in the "ON" position does not prevent the circuit breaker from opening under short circuit or overload conditions

### Materials

- Enclosure and external circuit breaker handle is cast copper-free aluminum alloy (less than 1/10 of 1%)
- Cover bolts are stainless steel
- Aluminum lacquer paint finish is standard

### Electrical Ratings

- 600VAC, 2 and 3 Pole, 50/60Hz

DISTRIBUTION EQUIPMENT  
**XEC SERIES**



XEC CIRCUIT BREAKERS					
CATALOG NUMBER					TRIP AMPS
EHD FRAME			FDB FRAME		
1-POLE 277 VAC 125 VDC	2-POLE 240/480 VAC 250 VDC	3-POLE 240/480 VAC —	2-POLE 600 VAC 250 VDC	3-POLE 600 VAC	
XECD-154A1	XECD-154A2	XECE-154A3	XECE-156A2	XECE-156A3	15
XECD-204A1	XECD-204A2	XECE-204A3	XECE-206A2	XECE-206A3	20
XECD-304A1	XECD-304A2	XECE-304A3	XECE-306A2	XECE-306A3	30
XECD-404A1	XECD-404A2	XECE-404A3	XECE-406A2	XECE-406A3	40
XECF-504A1	XECF-504A2	XECF-504A3	XECF-506A2	XECF-506A3	50
XECF-604A1	XECF-604A2	XECF-604A3	XECF-606A2	XECF-606A3	60
XECF-704A1	XECF-704A2	XECF-704A3	XECF-706A2	XECF-706A3	70
XECF-804A1	XECF-804A2	XECF-804A3	XECF-806A2	XECF-806A3	80
XECF-904A1	XECF-904A2	XECF-904A3	XECF-906A2	XECF-906A3	90
XECF-1004A1	XECF-1004A2	XECF-1004A3	XECF-1006A2	XECF-1006A3	100
ENCLOSURE ONLY					
XECD-4A	XECD-4A	XECE-6A	XECE-6A	XECE-6A	For 40 Amp or less
XECF-6A	XECF-6A	XECF-6A	XECF-6A	XECF-6A	For 50-100 Amp

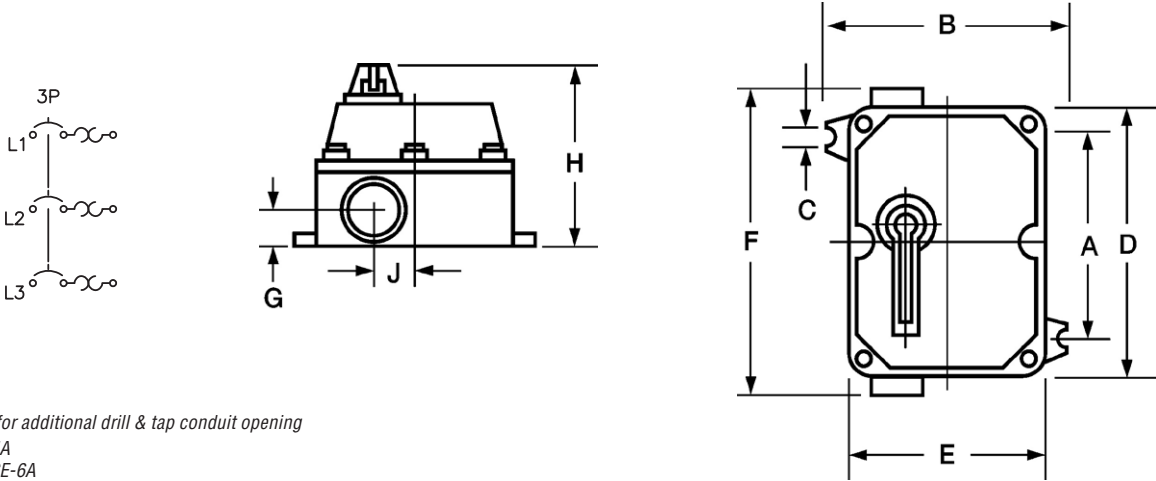
MODIFICATIONS	
SUFFIX NUMBER	DESCRIPTION
SU3	Drain and breather
SU40	Lock "ON"

NOTE: Only Cutler-Hammer Series "C" breakers fit this series. See B7C series on page DE4-7 for other brands.

ELECTRICAL RATINGS INTERRUPTING CAPACITY			
FRAME	VOLTS	AMPS SYMMETRICAL	AMPS D.C.
EHD 15-100 AMPS	240 VAC	18,000	—
	277 VAC	14,000	—
	480 VAC	14,000	—
	250 VDC	—	10,000
FDB 15-150 AMPS	240 VAC	18,000	—
	480 VAC	14,000	—
	600 VAC	14,000	—
	250 VDC	—	10,000

XEC DIMENSIONS											
CATALOG NUMBER	HUB SIZE	A	B	C	D	E	F	G	H	J	EST. ENCL. WT. LBS (KG)
XECD-4A	1"	8-3/8" (213)	7-7/16" (189)	13/16" (21)	10-1/4" (260)	6" (152)	11-7/8" (302)	1-3/8" (35)	6-7/8" (175)	1-1/2" (38)	10.50 (4.76)
XECE-6A	1-1/4"	8-3/8" (213)	8-3/4" (222)	13/16" (21)	10-1/4" (260)	7-3/8" (187)	11-7/8" (302)	1-3/8" (35)	6-7/8" (175)	2" (51)	16.15 (7.32)
XECF-6A	2"	10-7/8" (276)	9-1/8" (232)	13/16" (21)	13-7/8" (352)	7-3/4" (197)	16" (406)	1-3/4" (44)	7" (178)	2" (51)	20.00 (9.07)

**DIMENSIONS**





NOTE: Space for additional drill & tap conduit opening  
 1" for XECD-4A  
 1-1/4" for XECE-6A  
 2" for XECF-6A  
 Also is location for drain and breather when requested.



## CIRCUIT BREAKER ENCLOSURES

**PRISM**<sup>®</sup>

**Class I, Div. 1 & 2, Groups B, C, D**  
**Class I, Zones 1 & 2, Groups IIB+H2, IIA**  
**Class II, Div. 1 & 2, Groups E, F, G**  
**Class III, Div. 1 & 2**  
**TYPE 3, 4, 4x, 7 (B, C, D), 9 (E, F, G)**

-  #UL1203-Explosion Proof and Dust-Ignition-Proof Electrical Equipment For Use In Hazardous (Classified) Locations.  
File #E83969 Indoor/Outdoor
-  #C22.2 NO. 30-M1986-Explosion Proof Enclosures For Use In Class I Hazardous Locations.  
File #LR11714

**FEATURES-SPECIFICATIONS****Features**

- Copper-free, cast aluminum construction (less than ¼ of 1%).
- High strength, lighter in weight, corrosion resistant.
- Hinged Cover is standard.
- More Wiring Room – Meets the latest NEC/CEC wire bending requirements for circuit breaker enclosures.
- Ductile Mounting Lugs – Lugs are made of ductile aluminum alloy to adjust to irregular mounting surfaces without damage to enclosure.
- Universal Mounting Pan – Sheet aluminum pan is pre-drilled to facilitate easy field installation of major circuit breaker brands. Provisions for grounding supplied as standard.
- Conduit Openings Supplied – Standard conduit openings include power conduit top and bottom and a plugged opening suitable for field installation of drain and breather.
- Special conduit openings can be supplied at factory, or can be field installed.
- Breaker Handle – Provisions for lock “ON” or “OFF” positions with up to three padlocks. Spring loaded to prevent damage of breaker toggle and provides positive handle alignment. “O” ring on shaft to prevent water seeping into enclosure.
- Recessed Flange Notches – Flanges are notched to allow for easier cover opening with prying instrument without flange damage.
- Gasketed Flange – Nitrile (BUNA-N) “O” ring gasket is located inside cover bolt circle to prevent water seeping into enclosure.
- Quick Release, Captivated Cover – Bolts of 316 Grade Stainless Steel Triple lead bolts require only 3-½ turns to disengage.

**Materials**

- Enclosure: Copper-free, cast aluminum (less than ¼ of 1%)
- Aluminum lacquer paint finish is standard, with special epoxy finish available. See page DE6
- Cover Bolts: 316 grade stainless steel
- Mounting Pan: Sheet aluminum
- Handle Mechanism: Cast aluminum with stainless steel shaft and hardware.
- Hinges: Aluminum with stainless steel hardware.

**Electrical Rating**

- 600VAC, 2,3 or 4 Pole, 50/60Hz



DISTRIBUTION EQUIPMENT



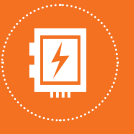
<b>B7C CIRCUIT BREAKER ENCLOSURES</b>				
<b>ENCLOSURE ONLY CATALOG NUMBER</b>	<b>WILL ACCEPT THE FOLLOWING CIRCUIT BREAKERS:</b>			
	<b>MANUFACTURER</b>	<b>FRAME SIZE</b>	<b>CIRCUIT BREAKER TYPE</b>	<b>MAX. AMP</b>
<b>B7CA</b>	EATON/CUTLER HAMMER/WESTINGHOUSE	F	EHD, FDB, FD, HFD, FDC	100
	GENERAL ELECTRIC	E	TEB, TED, THED, TEL	100
	ITE - SIEMENS	ED	ED2, ED4, ED6, HED4, HED6	90
	SCHNIEDER/SQUARE D	H	HDL, HGL, HJL, FAL, FHL, FCL	100
	ABB	XT1, XT2	XT1, XT2	100
<b>B7CB</b>	EATON/CUTLER HAMMER/WESTINGHOUSE	F	FDB, FD, HFD, FDC	150
	GENERAL ELECTRIC	E	TEB, TED, THED, TEL	150
	ITE - SIEMENS	ED	ED2, ED4, ED6, HED4, HED6	90
	SCHNIEDER/SQUARE D	H	HDL, HGL, HJL, FAL, FHL, FCL	150
<b>B7CC</b>	EATON/CUTLER HAMMER/WESTINGHOUSE	J	JD, JDB, JDC, HJD	250
	GENERAL ELECTRIC	F	TFJ, TFK, THFK, TFL	225
	SCHNIEDER/SQUARE D	J	JDL, JGL, JJL	250
	ITE - SIEMENS	FD	FXD6, FD6, HFD6, CFD6	250
	ABB	XT3, XT4	XT3, XT4	225/250
<b>B7CD</b>	EATON/CUTLER HAMMER/WESTINGHOUSE	K	DK, KDB, KD, HKD, KDC	400
	GENERAL ELECTRIC	J	TJJ, TJK, THJK	400
	ITE - SIEMENS	JD	JXD2, JXD6, JD6, HJD6, HHJD6, CJD6	400
	SCHNIEDER/SQUARE D	L	LDL, LGL	400
	ABB	T5	T5N, T5S, T5H	400
<b>B7CE</b>	EATON/CUTLER HAMMER/WESTINGHOUSE	L	LDB, LD, HLD, LDC	600
	GENERAL ELECTRIC	J	TJK, THJK	600
	ITE - SIEMENS	L	LXD6, LD6, HLD6, HHLD6, CLD6	600
	SCHNIEDER/SQUARE D	L	LDL, LGL	600
	ABB	T6	T6N, T6S, T6H	600
<b>B7CF</b>	EATON/CUTLER HAMMER/WESTINGHOUSE	N	ND, HND, NDC	1200
	GENERAL ELECTRIC	K	TKM, THKM	1200
	ITE - SIEMENS	MD/ND	MD, MXD, HMXD, HMD, CMD	800/1200
	SCHNIEDER/SQUARE D	P	PDL, PGL	1200
	ABB	T7	T7N, T7S, T7H	1200

NOTE: Enclosure includes mounting pan which is pre-drilled to accept circuit breakers illustrated above.



CIRCUIT BREAKER ENCLOSURES

B7C ENCLOSURE WITH CIRCUIT BREAKER INSTALLED										
BREAKER AMP TRIP	MAX. VOLTAGE	CATALOG NUMBER			CATALOG NUMBER			CATALOG NUMBER		
		CUTLER-HAMMER/EATON BREAKERS			SCHNIEDER/SQUARE D BREAKERS			ABB		
		FRAME	2 POLE	3 POLE	FRAME	2 POLE	3 POLE	FRAME	3 POLE	4 POLE
15	480	EHD	B7CA-WEHD-42015	B7CA-WEHD-43015	HDL	B7CA-SHDL-42015	B7CA-SHDL-43015	XT1	B7CA-AXT1-43015	B7CA-AXT1-44015
15	600	FDB	B7CA-WFDB-62015	B7CA-WFDB-63015	HDL	B7CA-SHDL-62015	B7CA-SHDL-63015	XT1	B7CA-AXT1-63015	B7CA-AXT1-64015
20	480	EHD	B7CA-WEHD-42020	B7CA-WEHD-43020	HDL	B7CA-SHDL-42020	B7CA-SHDL-43020	XT1	—	—
20	600	FDB	B7CA-WFDB-62020	B7CA-WFDB-63020	HDL	B7CA-SHDL-62020	B7CA-SHDL-63020	XT1	B7CA-AXT1-63020	B7CA-AXT1-64020
25	480	EHD	B7CA-WEHD-42025	B7CA-WEHD-43025	HDL	B7CA-SHDL-42025	B7CA-SHDL-43025	XT1	—	—
25	600	FDB	B7CA-WFDB-62025	B7CA-WFDB-63025	HDL	B7CA-SHDL-62025	B7CA-SHDL-63025	XT1	B7CA-AXT1-63025	B7CA-AXT1-64025
30	480	EHD	B7CA-WEHD-42030	B7CA-WEHD-43030	HDL	B7CA-SHDL-42030	B7CA-SHDL-43030	XT1	—	—
30	600	FDB	B7CA-WFDB-62030	B7CA-WFDB-63030	HDL	B7CA-SHDL-62030	B7CA-SHDL-63030	XT1	B7CA-AXT1-63030	B7CA-AXT1-64030
35	480	EHD	B7CA-WEHD-42035	B7CA-WEHD-43035	HDL	B7CA-SHDL-42035	B7CA-SHDL-43035	XT1	—	—
35	600	FDB	B7CA-WFDB-62035	B7CA-WFDB-63035	HDL	B7CA-SHDL-62035	B7CA-SHDL-63035	XT1	B7CA-AXT1-63035	B7CA-AXT1-64035
40	480	EHD	B7CA-WEHD-42040	B7CA-WEHD-43040	HDL	B7CA-SHDL-42040	B7CA-SHDL-43040	XT1	—	—
40	600	FDB	B7CA-WFDB-62040	B7CA-WFDB-63040	HDL	B7CA-SHDL-62040	B7CA-SHDL-63040	XT1	B7CA-AXT1-63040	B7CA-AXT1-64040
50	480	EHD	B7CA-WEHD-42050	B7CA-WEHD-43050	HDL	B7CA-SHDL-42050	B7CA-SHDL-43050	XT1	—	—
50	600	FDB	B7CA-WFDB-62050	B7CA-WFDB-63050	HDL	B7CA-SHDL-62050	B7CA-SHDL-63050	XT1	B7CA-AXT1-63050	B7CA-AXT1-64050
60	480	EHD	B7CA-WEHD-42060	B7CA-WEHD-43060	HDL	B7CA-SHDL-42060	B7CA-SHDL-43060	XT1	—	—
60	600	FDB	B7CA-WFDB-62060	B7CA-WFDB-63060	HDL	B7CA-SHDL-62060	B7CA-SHDL-63060	XT1	B7CA-AXT1-63060	B7CA-AXT1-64060
70	480	EHD	B7CA-WEHD-42070	B7CA-WEHD-43070	HDL	B7CA-SHDL-42070	B7CA-SHDL-43070	XT1	—	—
70	600	FDB	B7CA-WFDB-62070	B7CA-WFDB-63070	HDL	B7CA-SHDL-62070	B7CA-SHDL-63070	XT1	B7CA-AXT1-63070	B7CA-AXT1-64070
80	480	EHD	B7CA-WEHD-42080	B7CA-WEHD-43080	HDL	B7CA-SHDL-42080	B7CA-SHDL-43080	XT1	—	—
80	600	FDB	B7CA-WFDB-62080	B7CA-WFDB-63080	HDL	B7CA-SHDL-62080	B7CA-SHDL-63080	XT1	B7CA-AXT1-63080	B7CA-AXT1-64080
90	480	EHD	B7CA-WEHD-42090	B7CA-WEHD-43090	HDL	B7CA-SHDL-42090	B7CA-SHDL-43090	XT1	—	—
90	600	FDB	B7CA-WFDB-62090	B7CA-WFDB-63090	HDL	B7CA-SHDL-62090	B7CA-SHDL-63090	XT1	B7CA-AXT1-63090	B7CA-AXT1-64090
100	480	EHD	B7CA-WEHD-42100	B7CA-WEHD-43100	HDL	B7CA-SHDL-42100	B7CA-SHDL-43100	XT1	—	—
100	600	FDB	B7CA-WFDB-62100	B7CA-WFDB-63100	HDL	B7CA-SHDL-62100	B7CA-SHDL-63100	XT1	B7CA-AXT1-63100	B7CA-AXT1-64100
125	600	FDB	B7CB-WFDB-62125	B7CB-WFDB-63125	HDL	B7CB-SHDL-62125	B7CB-SHDL-63125	XT1	B7CB-AXT1-63125	B7CB-AXT1-64125
125	600	JDB	B7CC-WJDB-62125	B7CC-WJDB-63125						
150	600	FDB	B7CB-WFDB-62150	B7CB-WFDB-63150	HDL	B7CB-SHDL-62150	B7CB-SHDL-63150			
150	600	JDB	B7CC-WJDB-62150	B7CC-WJDB-63150	JDL	B7CC-SJDL-62150	B7CC-SJDL-63150	XT3	B7CC-AXT3N-63150	B7CC-AXT3N-64150
175	600	JDB	B7CC-WJDB-62175	B7CC-WJDB-63175	JDL	B7CC-SJDL-62175	B7CC-SJDL-63175	XT3	B7CC-AXT3N-63175	B7CC-AXT3N-64175
200	600	JDB	B7CC-WJDB-62200	B7CC-WJDB-63200	JDL	B7CC-SJDL-62200	B7CC-SJDL-63200	XT3	B7CC-AXT3N-63200	B7CC-AXT3N-64200
225	600	JDB	B7CC-WJDB-62225	B7CC-WJDB-63225	JDL	B7CC-SJDL-62225	B7CC-SJDL-63225	XT3	B7CC-AXT3N-63225	B7CC-AXT3N-64225
250	600	JDB	B7CC-WJDB-62250	B7CC-WJDB-63250	JDL	B7CC-SJDL-62250	B7CC-SJDL-63250			
250	600	KD	B7CD-WKD-62250	B7CD-WKD-63250	LDL	B7CD-SJDL-62250	B7CD-SJDL-63250	XT4	B7CD-AXT4N-63250	B7CD-AXT4N-64250
300	600	KD	B7CD-WKD-62300	B7CD-WKD-63300				T5N	B7CD-AT5N-63300	B7CD-AT5N-64300
350	600	KD	B7CD-WKD-62350	B7CD-WKD-63350						
400	600	KD	B7CD-WKD-62400	B7CD-WKD-63400	LDL	B7CD-SLDL-62400	B7CD-SLDL-63400	T5N	B7CD-AT5N-63400	B7CD-AT5N-64400
400	600	LD	B7CE-WLD-62400	B7CE-WLD-63400						
500	600	LD	B7CE-WLD-62500	B7CE-WLD-63500						
600	600	LD	B7CE-WLD-62600	B7CE-WLD-63600	LDL	B7CE-SLDL-62600	B7CE-SLDL-63600			
600	600	ND	B7CF-WND-62600	B7CF-WND-63600				T6N	B7CF-AT6N-63600	B7CF-AT6N-64600
700	600	ND	B7CF-WND-62700	B7CF-WND-63700						
800	600	ND	B7CF-WND-62800	B7CF-WND-63800				T6N	B7CF-AT6N-63800	B7CF-AT6N-64800
1000	600	ND	B7CF-WND-621000	B7CF-WND-631000				T7N	B7CF-AT7N-631000	B7CF-AT7N-641000
1200	600	ND	B7CF-WND-621200	B7CF-WND-631200	PDL	B7CF-SPDL-621200	B7CF-SPDL-631200	T7N	B7CF-AT7N-631200	B7CF-AT7N-641200



CIRCUIT BREAKER ENCLOSURES

TECHNICAL DATA INTERRUPTING CAPACITY RATINGS (SYMMETRICAL AMPERES)				
BREAKER FRAME	VOLTS AC			VOLTS DC
CUTLER-HAMMER/EATON	240	480	600	250
EHD	18,000	14,000	—	10,000
FDB	18,000	14,000	14,000	10,000
JDB	65,000	25,000	18,000	10,000
KD	65,000	35,000	25,000	10,000
LD	65,000	35,000	25,000	22,000
ND	65,000	50,000	25,000	—
SQUARE D				
HDL	25,000	18,000	14,000	10,000
JDL	42,000	25,000	22,000	10,000
LDL	25,000	18,000	14,000	10,000
LGL	65,000	35,000	18,000	—
PDL	42,000	50,000	50,000	14,000
ABB				
XT1, XT2	50,000	22,000	10,000	25,000
XT3	50,000	25,000	10,000	25,000
XT4	65,000	25,000	18,000	25,000
T5N	65,000	25,000	18,000	25,000
T6N	65,000	35,000	20,000	35,000
T7N	65,000	50,000	25,000	NA

**DIMENSIONS**

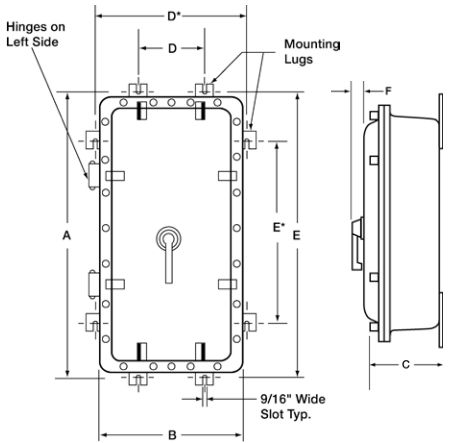


Figure 1

Consult factory for requirements on higher interrupting rated breakers.  
NOTE: Modifications to Internal Circuit Breaker such as Shunt Trip, Auxiliary Switches, Alarm Switch and Undervoltage Release Mechanism are available and should be ordered by description.

ACCESSORIES / OPTIONS	
CATALOG NUMBER	DESCRIPTION
SU-3B-4X	Drain/Breather TYPE 4X/7 B,C,D
SU-10B-4X	Drain TYPE 4X/7 B,C,D
SU-11B-4X	Breather TYPE 4X/7 B,C,D
B7CGRND	Grounding lug kit
B7C-SN1	Solid neutral 150 AMP
B7C-SN2	Solid neutral 250 AMP
B7C-SN3	Solid neutral 600 AMP
B7C-SN4	Solid neutral 1200 AMP
B7SF	Special epoxy finish
B7SPNPT	Change standard conduit openings

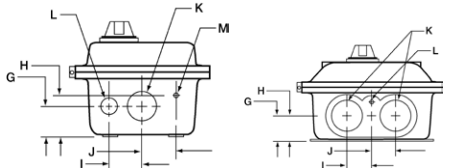
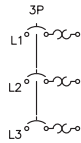


Figure 2

Figure 3



B7C DIMENSIONS																	
CATALOG NUMBER	USE FIGURES	DIMENSIONS											CONDUIT OPENINGS TOP & BTM. (NPT)			EST. ENCL. WT. LBS (KG)	
		A	B	C	D	D*	E	E*	F	G	H	I	J	K	L		M
B7CA	1, 2	18" (457)	11" (279)	9-1/8" (232)	3-5/8" (92)	N/A	16-3/8" (416)	N/A	1-3/4" (44)	2-15/16" (76)	3-11/16" (94)	2-3/8" (60)	2-1/8" (54)	1-1/2"	3/4"	1/2"	46 (20.86)
B7CB	1, 2	26-1/4" (667)	12-1/2" (318)	10-3/4" (273)	5" (127)	N/A	24-5/8" (625)	N/A	1-3/4" (44)	4-5/16" (110)	5-3/4" (146)	2-3/4" (70)	2-1/2" (64)	2"	1"	1/2"	80 (36.28)
B7CC	1, 2	34-1/4" (870)	16-1/2" (419)	11-1/2" (292)	9" (229)	N/A	32-5/8" (829)	N/A	1-3/4" (44)	4-11/16" (119)	6-1/4" (159)	4" (102)	3-3/4" (95)	3"	1"	1/2"	155 (70.30)
B7CD	1, 2	34-1/4" (870)	16-1/2" (419)	11-1/2" (292)	9" (229)	N/A	32-5/8" (829)	N/A	2-5/8" (67)	4-11/16" (119)	6-1/4" (159)	4" (102)	3-3/4" (95)	3"	1"	1/2"	155 (70.30)
B7CE	1, 3	45-3/8" (1153)	17-1/2" (445)	9-5/8" (244)	N/A	15-1/4" (387)	N/A	33" (838)	2-5/8" (67)	3-3/16" (838)	4-1/2" (114)	2-3/4" (70)	2-3/4" (70)	3"	1/2"	N/A	215 (97.52)
B7CF	1, 3	62-1/4" (1581)	20-1/4" (514)	15" (381)	N/A	18-1/2" (470)	N/A	43-1/2" (1105)	2-5/8" (67)	5-3/8" (137)	7-3/8" (187)	3-1/2" (89)	3-1/2" (89)	4"	1/2"	N/A	540 (244.93)



DISTRIBUTION EQUIPMENT

## DEDS SERIES

DISCONNECT SWITCHES • POLE / NON-FUSIBLE



**Class II, Div. 1 & 2, Groups E, F, G**  
**Class III**  
**TYPE 3R, 4, 9 (E, F, G)**



Listed - File E53290 Indoor/Outdoor



Certified - File LR11714  
See files for details or call Killark.

## FEATURES-SPECIFICATIONS

### Features

(30-60-100 Amp Housing Styles)

- Bolted and gasketed cabinet type construction insures the exclusion of conductive or combustible dusts from entering the assembly. Enclosure and external handle is copper-free aluminum alloy (less than 1/10 of 1%)
- Cover bolts are stainless steel
- External handle is vault type with standard provisions for locking in the "OFF" position with up to three padlocks
- Provisions for locking in "ON" position available as factory modification. (Add suffix SU40 to catalog number)
- Cutler-Hammer Type-DS Switches
- Two cast conduit hubs; one top and one bottom
- Internal disconnect handle mechanism is a sliding plate mounted to the cover
- Aluminum lacquer paint finish is standard

### Electrical Ratings

- 600VAC, 3 Pole, 50/60Hz





DISCONNECT SWITCHES • POLE / NON-FUSIBLE

DEDS DISCONNECT SWITCHES				
CATALOG NUMBER				SWITCH RATING
ENCLOSURE WITH SWITCH	ENCLOSURE WITH SWITCH AND AUXILIARY CONTACTS	ENCLOSURE WITH SWITCH AND TWO AUXILIARY CONTACTS	ENCLOSURE ONLY (WITHOUT SWITCH OR AUXILIARY CONTACTS)	
DEDS-30	DEDS-30A	DEDS-30AA	DEDS-A	30 AMP
DEDS-60	DEDS-60A	DEDS-60AA	DEDS-B	60 AMP
DEDS-100	DEDS-100A	DEDS-100AA	DEDS-B	100 AMP

Auxiliary Switch Kits are available for separate control circuit applications. Each auxiliary switch has one normally open and one normally closed contact. Each switch includes three soldered, identified leads.

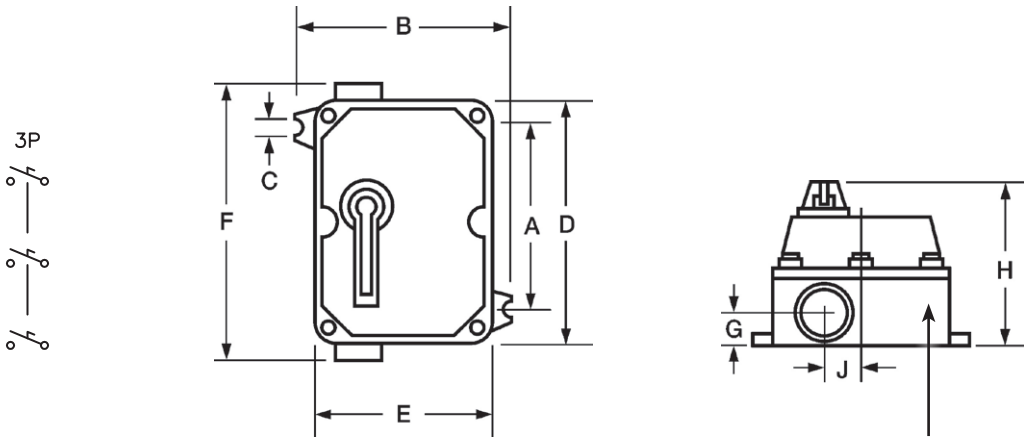
Rated 15 amps at 250 volts maximum.

DEDS ELECTRICAL RATINGS					
SWITCH AMPERES	MAXIMUM HORSEPOWER—THREE PHASE—3-POLE				
	120 VAC	240 VAC	480 VAC	600 VAC	250 VDC
30	5	10	20	25	7-1/2
60	10	20	40	60	15
100	15	30	75	75	25

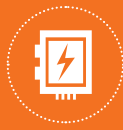
DEDS DIMENSIONS											
ENCLOSURE CATALOG NUMBER	CONDUIT SIZE	A	B	C	D	E	F	G	H	J	EST. ENCL. WT. LBS (KG)
DEDS-A	1-1/4"	8-3/8" (213)	8-13/16" (224)	7/16" (11)	10-1/4" (260)	7-3/8" (187)	12-1/8" (308)	1-3/8" (35)	6-7/8" (175)	2" (51)	14.50 (6.57)
DEDS-B	2"	10-7/8" (276)	9-1/8" (232)	7/16" (11)	13-7/8" (252)	7-3/4" (197)	15-3/8" (391)	1-3/4" (44)	6-7/8" (175)	2" (51)	19.50 (8.84)

MODIFICATIONS	
SUFFIX NUMBER	DESCRIPTION
SU3B-4X	Drain and breather
SU17	100 Amp solid neutral
SU40	Lock "on" for handle
KIT-251	100 Amp ground lug

**DIMENSIONS**



Note: Space for additional drill & top conduit opening. 1-1/4" for DEDS-A. 2" for DEDS-B. Also is location for SU3 drain and breather when required.



## DISCONNECT SWITCHES 3 POLE / NON-FUSIBLE



XEDS-30

Class I, Div. 1 & 2, Groups C, D  
Class I, Zones 1 & 2, Groups IIB, IIA  
Class II, Div. 1 & 2, Groups E, F, G  
Class III  
TYPE 7 (C, D) 9 (E, F, G)

 LISTED Listed - File E53290 Indoor

 CERTIFIED Certified - File LR1171  
See files for details or call Killark.

## FEATURES-SPECIFICATIONS

### Features

#### 30-60-100 Amp Housing

- External handle is vault type with standard provisions for locking in "OFF" position with up to three padlocks
- Provisions for locking in "ON" position available as factory modification (add suffix SU40 to catalog number)
- Enclosure and external handle is cast copper-free aluminum alloy (less than ¼ of 1%)
- Cover bolts are stainless steel
- Cutler-Hammer Type-DS Switches

#### 30-60-100 Amp Housing

- Two cast conduit hubs; one top and one bottom
- Internal disconnect handle mechanism is a sliding plate mounted to the cover
- Aluminum lacquer paint finish is standard

### Electrical Rating

- 600VAC, 3 Pole, 50/60Hz



DISCONNECT SWITCHES 3 POLE / NON-FUSIBLE

XEDS DISCONNECT SWITCHES				
CATALOG NUMBER				
ENCLOSURE WITH SWITCH	ENCLOSURE WITH SWITCH AND AUXILIARY CONTACTS	ENCLOSURE WITH SWITCH AND TWO AUXILIARY CONTACTS	ENCLOSURE ONLY (WITHOUT SWITCH OR AUXILIARY CONTACTS)	SWITCH RATING
XEDS-30	XEDS-30A	XEDS-30AA	XEDS-A	30
XEDS-60	XEDS-60A	XEDS-60AA	XEDS-B	60
XEDS-100	XEDS-100A	XEDS-100AA	XEDS-B	100

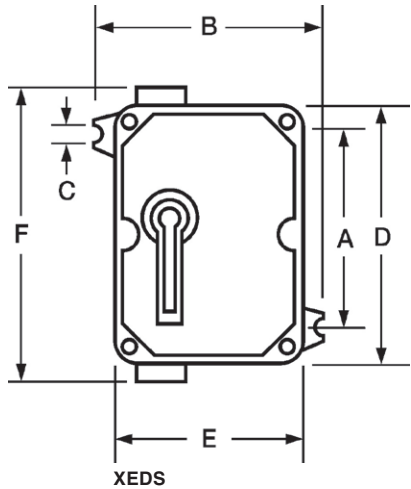
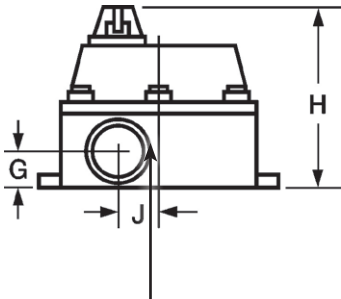
MODIFICATIONS	
SUFFIX NUMBER	DESCRIPTION
SU3	Drain and breather
SU17	100 Amp solid neutral
SU18	225 Amp solid neutral
SU40	Lock "on" for handle
KIT-251	100 Amp ground lug

Auxiliary switch kits are available for separate control circuit applications. Each auxiliary switch has one normally open and one normally closed contact. Each switch includes three soldered, identified leads. Rated 15 amps at 250 volts maximum.

XEDS ELECTRICAL RATINGS					
SWITCH AMPERES	MAXIMUM HORSEPOWER – THREE PHASE – 3-POLE				
	120 VAC	240 VAC	480 VAC	600 VAC	250 VDC
30	5	10	20	25	7-1/2
60	10	20	40	60	15
100	15	30	75	75	25

XEDS DIMENSIONS											
CATALOG NUMBER	HUB SIZE	A	B	C	D	E	F	G	H	J	EST. ENCL. WT. LBS (KG)
XEDS-A	1-1/4"	8-3/8" (213)	8-3/4" (222)	7/16" (11)	10-1/4" (260)	7-3/8" (187)	11-7/8" (302)	1-3/8" (35)	6-7/8" (175)	2" (51)	11.0 (4.98)
XEDS-B	2"	10-7/8" (276)	9-1/8" (232)	7/16" (11)	13-7/8" (352)	7-3/4" (197)	16" (406)	1-3/4" (44)	7" (178)	2" (51)	17.0 (7.71)

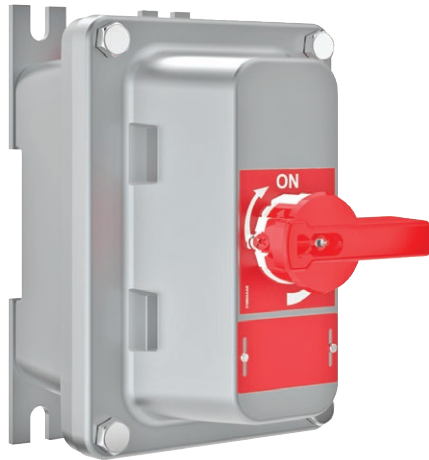
**DIMENSIONS**



NOTE: Space for additional drill & tap conduit opening  
1-1/4" for XEDS-30  
2" for XEDS-60+100  
Also is location for SU3 drain and breather when requested.



## COMPACT NON-FUSED DISCONNECT SWITCHES



B7NFD1



B7NFD2

Class I, Div. 1 & 2, Groups B, C, D  
 Class I, Zones 1 & 2, Groups IIB+ H2, IIA  
 Class II, Div. 1 & 2, Groups E, F, G<sup>Ⓢ</sup>  
 Class III  
 TYPE 3, 4, 4X, 7 (B, C, D) 9 (E, F, G)



Certified - File LR11714 Indoor/Outdoor

### FEATURES-SPECIFICATIONS

PRISM<sup>®</sup> enclosures universal design accommodates the following manufacturers switches as standard:

- Advance Controls 14046 Series
- Allen-Bradley 194E Series (B7NFD1 only)
- ABB OT Series
- Cutler-Hammer R9 Series
- Sprecher + Schuh LA7 Series
- Ferraz Shawmut LBS Series

*Advance Controls © Advance Controls Inc.*

*Allen-Bradley © Rockwell Automation*

*ABB © The ABB Group*

*Cutler-Hammer © Eaton Corporation*

*Sprecher + Schuh © Sprecher + Schuh*

#### Features

- Compact size enclosures provide application flexibility with cost savings over industry standard sizes
- Fewer cover bolts reduces installation and maintenance time
- Gasketed flange with O-ring located in side bolt circle to seal out moisture
- Rotary handle style operating mechanism with lockout provision as standard

- Removable ductile mounting lugs adjust to irregular mounting surfaces
- Bodies have top and bottom drilled and tapped conduit entrances for power connection, with custom openings available

#### Materials

- Enclosures: Copper-free aluminum (less than 1/10 of 1% copper content)
- Cover Bolts: 316 Stainless Steel
- O-ring Gasket: Silicone
- Finish: Grey Powder Polyester painted exterior, electrostatically applied.
- Electrical rating: 600VAC, 30 - 100 Amp

#### ADAPTER KIT

- Required for Allen-Bradley and Sprecher + Schuh disconnects Order separately B7KIT - NRW

#### Electrical Rating

- 600VAC, 30 - 100 Amp 3 Pole



COMPACT NON-FUSED DISCONNECT SWITCHES

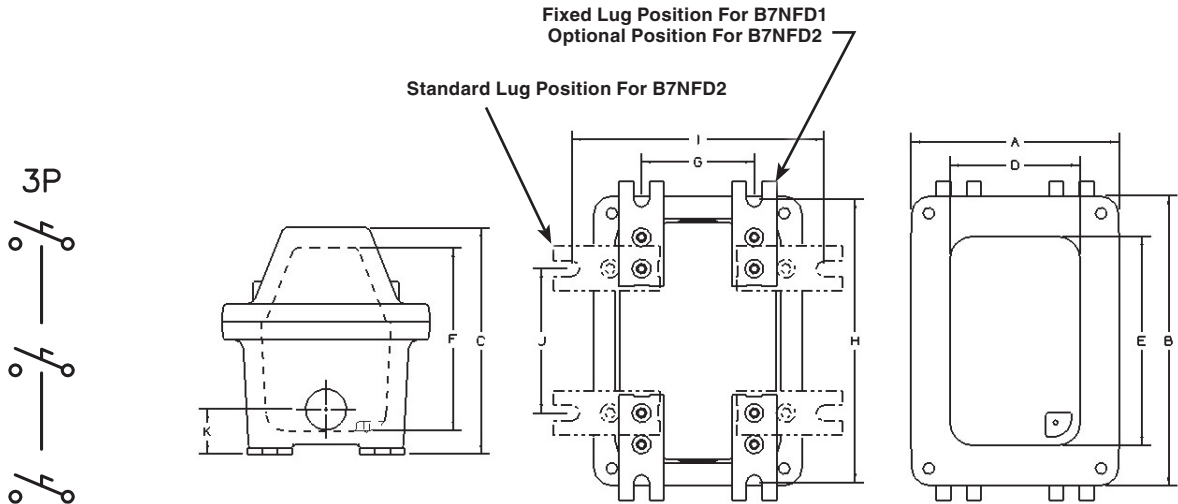
COMPACT NON-FUSED DISCONNECT SWITCHES											
CATALOG NUMBER		SWITCH RATING IEC/NEC		SINGLE PHASE HP		THREE PHASE HP				TERMINAL LUG SIZE (MM/AWG)	WEIGHT (KG/LBS)
ENCLOSURE ONLY	W/ABB SWITCH	AMPS	PHASE	120 VAC	230 VAC	208 VAC	230 VAC	480 VAC	600 VAC		
UL508 & IEC - Suitable for use in equipment or machinery as motor controllers & motor disconnect and are horsepower and ampere rated.											
B7NFD1	B7NFD16A	16/20	3	1	2	3	5	10	10	.75 - 10mm / #18 - 8 AWG	4.98 / 11
B7NFD1	B7NFD25A	25/30	3	1.5	3	7.5	7.5	15	20	.75 - 10mm / #18 - 8 AWG	4.98 / 11
B7NFD1	B7NFD32A	32/40	3	2	5	10	10	20	25	.75 - 10mm / #18 - 8 AWG	4.98 / 11
B7NFD1	B7NFD63A	63/60	3	2	5	15	15	30	30	1.5 - 35mm / #14 - 2 AWG	4.98 / 11
B7NFD2	B7NFD80A	80/80	3	2	5	20	20	40	40	1.5 - 35mm / #14 - 2 AWG	10.53 / 23.2
UL 98 & IEC - Suitable for use as motor disconnects or industrial control panel disconnects on service entrance equipment, panelboards, switchboards, industrial control equipment, motor control centers, etc. and are horsepower rated and ampere rated.											
B7NFD1	B7NFD13A	40/30	3	2	5	10	10	20	30	2.5 -25mm / #14 - 4 AWG	4.98 / 11
B7NFD2	B7NFD26A	63/60	3	3	7.5	20	20	40	40	2.5 -25mm / #14 - 4 AWG	10.53 / 23.2
B7NFD2	B7NFD21A	100/100	3	5	15	25	30	50	50	10 - 70mm / #8 - 2/0 AWG	10.53 / 23.2

\*\* Use MN. 75°C wire

ENCLOSURE	DIMENSIONS											
	OUTSIDE BOX DIMENSIONS (INCH/MM)			NOMINAL INSIDE BOX (INCH/MM)			MOUNTING DIMENSION (INCH/MM)					OUTLET
	A	B	C	D	E	F	G	H	I	J	K	
B7NFD1	5.75 (145)	8.0625 (205)	6.3125 (160)	3.625 (92)	5.8125 (148)	5.0625 (129)	3.125 (79)	8.125 (206)	NA	NA	1.25 (32)	1"
B7NFD2	8.125 (206)	13.0625 (332)	7.8125 (198)	4.25 (108)	9.1875 (233)	6.3125 (160)	2.50 (64)	11.375 (289)	6.375 (162)	7.50 (191)	1.8125 (46)	1½"

MODIFICATIONS	
SUFFIX NUMBER	DESCRIPTION
KIT-251	100 amp ground lug
SU-2	SU-2 Hinge-9 Installed
SU-3B-4X	Drain/Breather NEMA 4X/7 B,C,D
SU-10B-4X	Drain NEMA 4X/7 B,C,D
SU-11B-4X	Breather NEMA 4X/7 B,C,D
SU9	Special paint finish
A*	1 NC+1NO Auxiliary
B7SPNPT	Change std. conduit size and location
SU14	Fungus proofing of enclosures

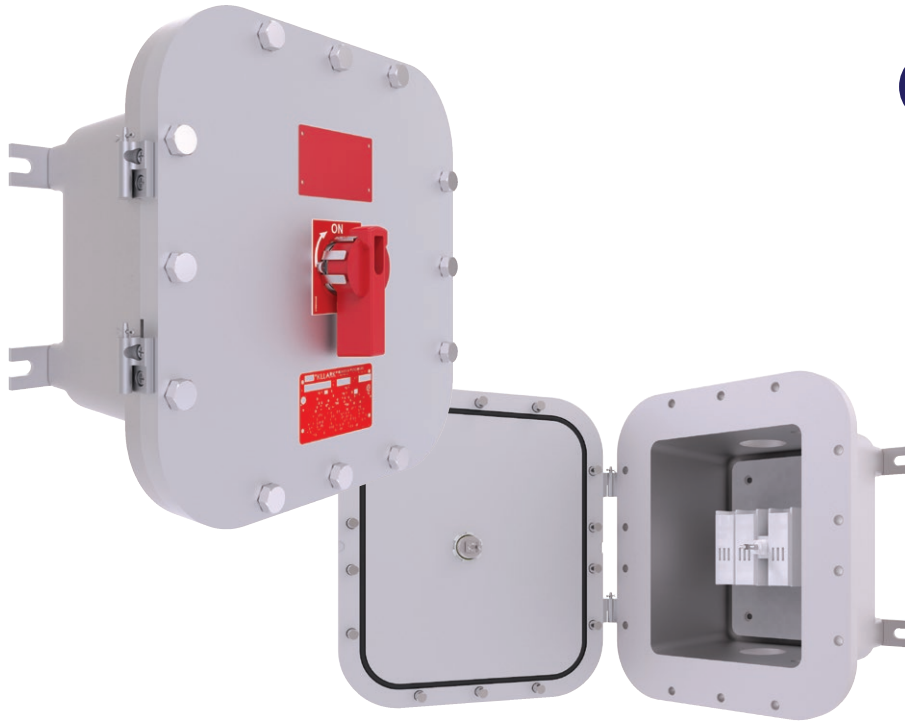
\* NOTE: Only one auxiliary contact (Form C) will fit.





DISTRIBUTION EQUIPMENT  
**EXBLTP-FDS SERIES**

FUSED DISCONNECT SWITCHES



**ATEX & IEC Ex**  
 II 2 G Ex db IIB+H2 T6 CE 0518  
 II 2 D Ex tb IIIC T85°C IP66  
 Ta -50°C to +70°C  
 IECEX QPS 17.0013U  
 IECEX QPS 17.0014  
 CML17 ATEX (pending)  
 CML17 ATEX (pending)

**NORTH AMERICA**

Class I, Div. 1 & 2, Groups B, C & D;  
 Class I, Zone 1 & 2, Groups IIB+H2 IIA;  
 Class II, Div. 1 & 2, Groups E, F & G;  
 Class III, Encl. Type 4 & 4X  
 UL Ta = -25°C to +70°C  
 CSA Ta = -50°C to +70°C  
 UL Classified File E83969  
 CSA Certified File LR11716  
 TYPE 3, 4, 4X, 7 (B,C,D) 9 (E, F, G)

**FEATURES-SPECIFICATIONS**

**Features**

- New lighter (up to 35%) EXBLT enclosure, fewer cover bolts than our competitors, gasketed plate cover, 316 stainless steel cover bolts, ductile mounting lugs.
- UL98 Fused Disconnect Switch, Horsepower Rated.
- Available as 3 Pole switch.
- Auxiliary Contacts, accepts up to two contacts per side of switch.
- Switch has removable fuse clips, retaining the fuse for safe replacement.
- Solid Neutral, Detachable Neutral and Ground Terminal available as an option.
- Can be ordered with or without the switch, allows for field installation of switch while maintaining product certification.
- Switch operating handle can be padlocked in the "ON" or "OFF" position providing lockout/tagout protection.
- Conduit outlets top and bottom drilled and tapped for power connections, with custom openings available.

**Materials**

- Box: Molded from 356-T6 copper free aluminum, less than ¼ of 1% copper alloy and less than 6% magnesium.
- Cover: Plate cover is made of 6061-T6 aluminum alloy.
- Hinges: Extruded aluminum with stainless steel pin hardware.
- Bolts: 316 Stainless Steel.
- Finish: Natural finish without paint.

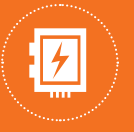
**Electrical Rating**

- 600VAC, 3 Pole, 50/60Hz

**EXBLTP-FDS FUSED DISCONNECT SWITCHES**

*UL98 & IEC - Suitable for use as motor disconnects or industrial control panel disconnects on service entrance equipment, panelboards, switchboards, industrial control equipment, motor control centers, etc. and are horsepower rated and ampere rated.*

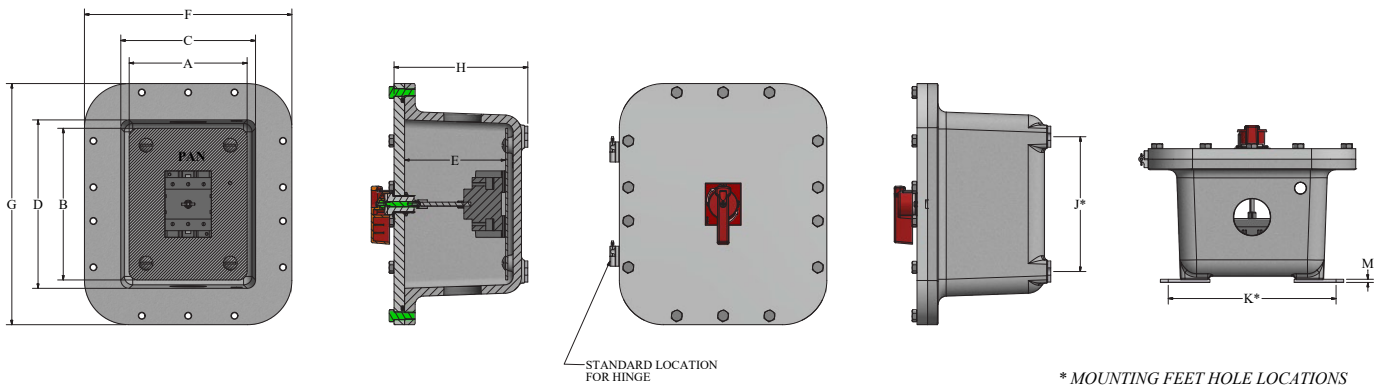
CATALOG NUMBER		SWITCH RATING IEC/NEC		SINGLE PHASE HP		THREE PHASE HP				TERMINAL LUG SIZE (MM/AWG)	WEIGHT (KG/LBS)	CONDUITS TOP/BOTTOM
EXBLTP	W/ ABB SWITCH	AMPS	TYPE	120 VAC	230 VAC	208 VAC	230 VAC	480 VAC	600 VAC			
686	EXBLTP-FDS-0303P	40/30	3 Pole	2	5	10	10	20	30	2.5 - 25mm/#14 - 4 AWG	23.7/10.8	(1) 1" (1) 1/2"
886	EXBLTP-FDS-0603P	63/60	3 Pole	3	7.5	20	20	40	40	2.5 - 25mm/#14 - 4 AWG	27.9/12.7	(1) 1-1/2" (1) 1/2"
12188	EXBLTP-FDS-1003P	100	3 Pole	1	15	25	30	50	50	#14AWG - 4 AWG	45.4/100	(1) 2" (1) 1/2"



## DIMENSIONS

ENCLOSURE CATALOG NUMBER	INTERNAL DIMENSIONS - INCHES (MM)						EXTERNAL DIMENSIONS - INCHES (MM)		
	PAN		AVAILABLE EQUIPMENT SPACE				F	G	H ("P" PLATE)
	A	B	C	D	E ("P" PLATE)	E ("C" CAST)			
EXBLT-686 N4	5 (172)	7 (178)	8 (203)	6 (152)	6 (152)	6.32 (160)	10.25 (260)	12.25 (311)	7.88 (200)
EXBLT-886 N4	7 (178)	7 (178)	8 (203)	8 (203)	6 (152)	6.16 (156)	12.32 (313)	12.32 (313)	7.94 (202)
EXBLT-8106 N4	7 (178)	9 (229)	10 (254)	8 (203)	6 (152)	6.18 (157)	12.32 (313)	14.32 (364)	7.94 (202)
EXBLT-10108 N4	9 (229)	9 (229)	10.5 (267)	10.5 (267)	8 (203)	8.41 (214)	15.25 (387)	15.25 (387)	10.18 (259)

ENCLOSURE CATALOG NUMBER	MOUNTING DIMENSIONS - INCHES (MM)						CONDUIT AREA - INCHES (MM)				
	I	J	K	L	M	SLOT WIDTH	SIDE WALL		CENTER	TOP & BOTTOM WALL	
							O	Q	R	S	U
EXBLT-686 N4	N/A	4 (1002)	7.88 (200)	N/A	0.19 (5)	0.44 (11)	4.81 (122)	6.59 (167)	3.78 (96)	4.81 (122)	4.59 (167)
EXBLT-886 N4	N/A	6 (152)	9.88 (251)	N/A	0.19 (5)	0.44 (11)	4.81 (122)	6.56 (167)	3.78 (96)	4.81 (122)	6.56 (167)
EXBLT-8106 N4	N/A	8 (203)	9.88 (251)	N/A	0.19 (5)	0.44 (11)	4.81 (122)	8.56 (217)	3.78 (96)	4.81 (122)	6.56 (167)
EXBLT-10108 N4	4.94 (125)	4.94 (125)	12.94 (329)	12.94 (329)	0.25 (6)	0.56 (14)	5.94 (151)	7.97 (202)	5.09 (129)	5.94 (151)	7.97 (202)
EXBLT-12188 N4	6.94 (176)	12.88 (327)	14.94 (379)	20.88 (530)	0.25 (6)	0.56 (14)	5.88 (149)	15.34 (390)	5.03 (128)	9.34 (237)	2.5 (63)



## REPLACEMENT PARTS

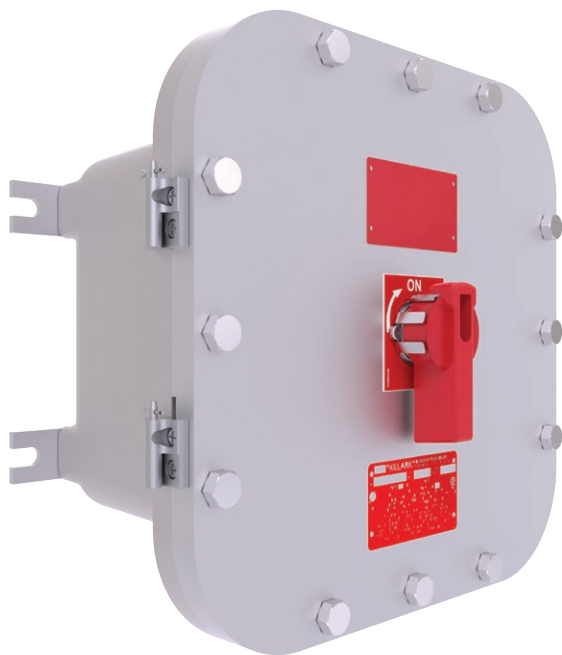
OPTIONS	
KIT-251	100 Amp Ground Lug
KIT-252	200 Amp Ground Lug
SU3B-4X	Drain & Breather installed Class 1 Groups B, Type 4, 4X
SU14	Fungus Proof Internal
SU9	Special Paint
A	1 NC+1 NO Auxiliary Contact
AA	2 NC+2 NO Auxiliary Contact
B7C-SN1	Solid Neutral 150 Amp
B7C-SN2	Solid Neutral 250 Amp
CEN	ATEX/IEC Ex d (Pending)

		REPLACEMENT PARTS				
ENCLOSURE CATALOG NUMBER	COVER GASKET	MOUNTING LUG KIT (Contains four mounting lugs and hardware)	COVER BOLTS – SOLD PER EACH			HANDLE
			NO. OF BOLTS PER ENCLOSURE	316 STAINLESS STEEL "N4X"	ATEX IEC EX 316 STAINLESS STEEL "N4CEN" (PENDING)	
EXBLTP-686 N4	EXB68RG	EXB-MTL1	10	25952BAAB	20790AAAB	B7EPD1SHAN
EXBLTP-886 N4	EXB88RG	EXB-MTL1	12	25952BAAB	20790AAAB	
EXBLTP-8106 N4	EXB810RG	EXB-MTL1	14	25952BAAB	20790AAAB	
EXBLTP-10108 N4	EXB1010RG	EXB-MTL2	12	25952AAAB	20790BAAB	



## DISTRIBUTION EQUIPMENT EXBLTP-NFD SERIES

### NON-FUSED DISCONNECT SWITCHES



#### ATEX & IEC Ex

Ex II 2 G Ex db IIB+H2 T6 CE 0518

Ex II 2 D Ex tb IIIC T85°C IP66

Ta -50°C to +70°C

IECEX QPS 17.0013U

IECEX QPS 17.0014

CML17 ATEX (pending)

CML17 ATEX (pending)

#### NORTH AMERICA

Class I, Div. 1 & 2, Groups B, C & D;

Class I, Zone 1 & 2, Groups IIB+H2 IIA;

Class II, Div. 1 & 2, Groups E, F & G;

Class III, Encl. Type 4 & 4X

UL Ta = -25°C to +70°C

CSA Ta = -50°C to +70°C

UL Classified File E83969

CSA Certified File LR11716

TYPE 3, 4, 4X, 7 (B,C,D), 9 (E,F,G)

## FEATURES-SPECIFICATIONS

### Features

- New lighter (up to 35%) EXBLT enclosure, fewer cover bolts than our competitors, gasketed plate cover, 316 stainless steel cover bolts, ductile mounting lugs.
- UL98 & UL508 Non-Fused Disconnect Switch, Horsepower Rated.
- Available as 3 Pole, 3 Pole Double Throw and 6 pole switches.
- Auxiliary Contacts, accepts up to two contacts per side of switch.
- Terminal Poles, Solid Neutral, Detachable Neutral and Ground Terminal available as an option.
- Fourth power pole available for switch
- Can be ordered with or without the switch, allows for field installation of switch while maintaining product certification.
- Switch operating handle can be padlocked in the "ON" or "OFF" position providing lockout/tagout protection.
- Conduit outlets top and bottom drilled and tapped for power connections, with custom openings available.

### Materials

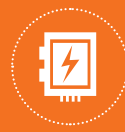
- **Box:** Molded from 356-T6 copper free aluminum, less than 1/10 of 1% copper alloy and less than 6% magnesium.
- **Cover:** Plate cover is made of 6061-T6 aluminum alloy.
- **Hinges:** Extruded aluminum with stainless steel pin hardware.
- **Bolts:** 316 Stainless Steel.
- **Finish:** Natural finish without paint.

### Electrical Rating

- 600VAC, 50Hz







ORDERING INFORMATION / OPTIONS

**EXBLTP-NFD NON FUSED DISCONNECT SWITCHES**

*UL98 & IEC - Suitable for use as motor disconnects or industrial control panel disconnects on service entrance equipment, panelboards, switchboards, industrial control equipment, motor control centers, etc. and are horsepower rated and ampere rated.*

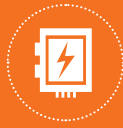
CATALOG NUMBER		SWITCH RATING IEC/NEC		SINGLE PHASE HORSEPOWER		THREE PHASE HORSEPOWER				TERMINAL LUG SIZE (MM/AWG)	WEIGHT (KG/LBS)	CONDUITS TOP/BOTTOM
EXBLTP	W/ ABB SWITCH	AMPS	TYPE	120 VAC	230 VAC	208 VAC	230 VAC	480 VAC	600 VAC			
686	EXBLTP-NFD-0303P	40/30	3 Pole	2	5	10	10	20	30	2.5 - 25mm/#14 - 4 AWG	23.7/10.8	(1) 1" (1) 1/2"
886	EXBLTP-NFD-0306P	40/30	6 Pole	2	5	10	10	20	30	2.5 - 25mm/#14 - 4 AWG	27.9/12.7	(2) 1" (1) 1/2"
886	EXBLTP-NFD-0303PDT	40/30	3P Double Throw	2	5	10	10	20	30	2.5 - 25mm/#14 - 4 AWG	27.9/12.7	(2) 1" (1) 1/2"
686	EXBLTP-NFD-0603P	63/60	3 Pole	3	7.5	20	20	40	40	2.5 - 25mm/#14 - 4 AWG	23.7/10.8	(1) 1-1/2" (1) 1/2"
886	EXBLTP-NFD-0606P	63/60	6 Pole	3	7.5	20	20	40	40	2.5 - 25mm/#14 - 4 AWG	27.9/12.7	(2) 1-1/2" (1) 1/2"
886	EXBLTP-NFD-0603PDT	63/60	3P Double Throw	3	7.5	20	20	40	40	2.5 - 25mm/#14 - 4 AWG	27.9/12.7	(2) 2" (1) 1/2"
8106	EXBLTP-NFD-1003P	100/100	3 Pole	5	15	25	30	50	50	10 - 70mm/#8 - 2/0 AWG	31.9/14.5	(1) 2" (1) 1/2"
8106	EXBLTP-NFD-1006P	100/100	6 Pole	5	15	25	30	50	50	10 - 70mm/#8 - 2/0 AWG	31.9/14.5	(2) 2" (1) 1/2"
8106	EXBLTP-NFD-1003PDT	100/100	3P Double Throw	5	15	25	30	50	50	10 - 70mm/#8 - 2/0 AWG	31.9/14.5	(2) 2" (1) 1/2"

*UL508 & IEC - Suitable for use in equipment or machinery as motor controllers & motor disconnect and are horsepower and ampere rated.*

CATALOG NUMBER		SWITCH RATING IEC/NEC		SINGLE PHASE HORSEPOWER		THREE PHASE HORSEPOWER				TERMINAL LUG SIZE (MM/AWG)	WEIGHT (KG/LBS)	CONDUITS TOP/BOTTOM
EXBLTP	W/ ABB SWITCH	AMPS	TYPE	120 VAC	230 VAC	208 VAC	230 VAC	480 VAC	600 VAC			
686	EXBLTP-NFD-1603P	16/20	3 Pole	1	2	3	5	10	10	.75 - 10mm/#18 - 8 AWG	27.9/12.7	(1) 1" (1) 1/2"
886	EXBLTP-NFD-1606P	16/20	6 Pole	1	2	3	5	10	10	.75 - 10mm/#18 - 8 AWG	27.9/12.7	(2) 1" (1) 1/2"
686	EXBLTP-NFD-2503P	25/30	3 Pole	1.5	3	7.5	7.5	15	20	.75 - 10mm/#18 - 8 AWG	23.7/10.8	(1) 1" (1) 1/2"
886	EXBLTP-NFD-2506P	25/30	6 Pole	1.5	3	7.5	7.5	15	20	.75 - 10mm/#18 - 8 AWG	27.9/12.7	(2) 1" (1) 1/2"
886	EXBLTP-NFD-3203P	32/40	3 Pole	2	5	10	10	20	25	.75 - 10mm/#18 - 8 AWG	27.9/12.7	(1) 1" (1) 1/2"
886	EXBLTP-NFD-3206P	32/40	6 Pole	2	5	10	10	20	25	.75 - 10mm/#18 - 8 AWG	27.9/12.7	(2) 1" (1) 1/2"
886	EXBLTP-NFD-6303P	63/60	3 Pole	2	5	15	15	30	30	1.5 - 35mm/#14 - 2 AWG	27.9/12.7	(1) 1-1/2" (1) 1/2"
886	EXBLTP-NFD-6306P	63/60	6 Pole	2	5	15	15	30	30	1.5 - 35mm/#14 - 2 AWG	27.9/12.7	(2) 1-1/2" (1) 1/2"
8106	EXBLTP-NFD-8003P	80/80	3 Pole	2	5	20	20	40	40	1.5 - 35mm/#14 - 2 AWG	31.9/14.5	(1) 2" (1) 1/2"
8106	EXBLTP-NFD-8006P	80/80	6 Pole	2	5	20	20	40	40	1.5 - 35mm/#14 - 2 AWG	31.9/14.5	(2) 2" (1) 1/2"

**OPTIONS**

KIT-251	100 Amp Ground Lug
KIT-252	200 Amp Ground Lug
SU3B-4X	Drain & Breather installed Class 1 Groups B, Type 4, 4X
SU14	Fungus Proof Internal
SU9	Special Paint
4P	4th Pole, 30, 60, 100A - 3 Pole Only (NFD Only)
A	1 NC+1 NO Auxilliary Contact
AA	2 NC+2 NO Auxilliary Contact
B7C-SN1	Solid Neutral 150 Amp
B7C-SN2	Solid Neutral 250 Amp
CEN	ATEX/IEC Ex d (Pending)



DISTRIBUTION EQUIPMENT

# EXB-NFD, EXB-FDS SERIES

DISCONNECT SWITCHES • 3 POLE / NON-FUSIBLE & FUSIBLE



## ATEX / IEC Ex Certified

**Class I, Div. 1 & 2, Groups B<sup>1</sup>, C, D**  
**Class I, Zones 1 & 2, Groups IIB+ H2, IIA**  
**Class II, Div. 1 & 2, Groups E, F, G**  
**Class III, Div. 1 & 2 ENCL TYPE 3, 4, 4X**  
**TYPE 3, 4, 4X, 7 (B, C, D), 9 (E, F, G)**  
**CENELEC/ATEX/IEC Ex**  
**Ex d IIB + H2 T5 or T6**  
**Ex tD A21 IP66**  
**Tamb ≤ +70°C**

Indoor/Outdoor



#UL886 - Outlet Boxes and Fittings for use in Hazardous (Classified) Locations. File #E10514 cer



#UL698 & #UL1203 - Explosion Proof and Dust Ignition Proof Electrical Equipment. Files #E83969 & E12379



#C22.2 No. 30-M1986 - Explosion Proof Enclosure for use in Class I Hazardous Locations. File #LR11716

CENELEC II 2 GD

PTB 07 ATEX 1025U (Empty Housing)

PTB 07 ATEC 1024x (Enclosure with Controls)

IEC Ex 07.0022U

IEC Ex 07.0023

## FEATURES-SPECIFICATIONS

### Features

- Copper-free aluminum construction, high strength, lighter in weight and corrosion resistant.
- Fewer cover bolts (no corner bolts required) reduces installation and maintenance time. Cover bolts are stainless steel.
- Gasketed flange with O-ring located in side bolt circle to seal out moisture.
- Stainless steel hinges are standard.
- Switch operating handle of copperfree aluminum can be padlocked, with up to 3 locks, in either the "ON" or "OFF" position.
- Ductile mounting lugs adjust to irregular mounting surfaces.
- Bodies have top and bottom drilled and tapped conduit entrances for power and drain/breather.
- **Global applications (ATEX)**  
**Enclosures are available for global applications with "CEN" suffix.**  
**Assemblies that are modified to CENELEC/ATEX standards maintain their North American certifications**
- Switches are used on all 30 to 400 Ampere assemblies.
- Disconnect Switches suitable for type 'J' fuses only.

### Materials

- Enclosures: Copper-free aluminum (less than 1/10 of 1% copper content)
- Hinges and Cover Bolts: Stainless steel
- Aluminum lacquer paint finish

### Electrical Rating

- 600 VAC
- 30, 60, 100, 200 and 400 Amp

**Consult Factory for special conduit layouts**

DISTRIBUTION EQUIPMENT  
**EXB-NFD, EXB-FDS SERIES**



DISCONNECT SWITCHES • 3 POLE / NON-FUSIBLE & FUSIBLE

EXB-NFD NON FUSED DISCONNECT SWITCHES						
CATALOG NUMBER	SWITCH RATING	TYPE	CONDUITS TOP/BOT.	WIRE SIZE	EST. ENCL. WT (LBS)	KG
EXB-NFD-0303P	30	3 Pole	(1) 1-1/2" (1) 1/2"	#14-4	40.0	(18.14)
EXB-NFD-0306P	30	6 Pole	(2) 2" (1) 1/2"	#14-4	41.0	(18.59)
EXB-NFD-0303PDT	30	3P Double Throw	(2) 2" (1) 1/2"	#14-4	41.0	(18.59)
EXB-NFD-0603P	60	3 Pole	(1) 2" (1) 1/2"	#14-4	40.0	(18.14)
EXB-NFD-0606P	60	6 Pole	(2) 2" (1) 1/2"	#14-4	42.0	(19.05)
EXB-NFD-0603PDT	60	3P Double Throw	(2) 2" (1) 1/2"	#14-4	41.0	(18.59)
EXB-NFD-1003P	100	3 Pole	(1) 2" (1) 1/2"	#8-1/0	48.0	(21.77)
EXB-NFD-1006P	100	6 Pole	(2) 2" (1) 1/2"	#8-1/0	50.0	(22.67)
EXB-NFD-1003PDT	100	3P Double Throw	(2) 2" (1) 1/2"	#8-1/0	48.0	(21.77)
EXB-NFD-2003P	200	3 Pole	(1) 3" (1) 1/2"	#4-300MCM	170.0	(77.11)
EXB-NFD-4003P	400	3 Pole (2)	(2) 3" (1) 1/2"	#2-600MCM	241.0	(109.31)

EXB-FDS FUSED DISCONNECT SWITCHES (TYPE J FUSES)						
CATALOG NUMBER	SWITCH RATING	TYPE	CONDUITS TOP/BOT.	WIRE SIZE	EST. ENCL. WT. LBS (KG)	
EXB-FDS-0303P	30	3 Pole	(1) 2" (1) 1/2"	#14-4	40.0 (18.14)	
EXB-FDS-0603P	60	3 Pole	(1) 2" (1) 1/2"	#14-4	82.0 (37.18)	
EXB-FDS-1003P	100	3 Pole	(1) 2" (1) 1/2"	#14-2/0	130.0 (58.96)	
EXB-FDS-2003P	200	3 Pole	(1) 3" (1) 1/2"	#4-300MCM	170.0 (77.11)	
EXB-FDS-4003P	400	3 Pole	(2) 3" (1) 1/2"	#2-600MCM	425.0 (192.77)	

MODIFICATIONS	
SUFFIX NUMBER	DESCRIPTION
KIT-251	100 amp ground lug
KIT-252	225 amp ground lug
SU-3B-4X	Drain/Breather NEMA 4X/7 B,C,D
SU-10B-4X	Drain NEMA 4X/7 B,C,D
SU-11B-4X	Breather NEMA 4X/7 B,C,D
SU9	Special Paint Finish
4P	4th pole 30, 60, 100A - 3 pole only*
A	1 NC+1NO Auxiliary
AA	2 NC+2NO Auxiliary
CEN	ATEX/IEC Ex d
SN2	Solid Neutral



# EXB-NFD, EXB-FDS SERIES

### EXB-NFD ELECTRICAL RATINGS

SWITCH AMPERES	MAXIMUM KW / HORSEPOWER SINGLE PHASE						MAXIMUM KW / HORSEPOWER - 3 PHASE							
	UL508 & IEC													
UL508	120 VAC	200 VAC	240 VAC	200 VAC	208 VAC	240 VAC	220 VAC	400 VAC	415 VAC	480 VAC	500 VAC	600 VAC	690 VAC	
IEC														
16	1 HP	2 HP	2 HP	3 HP	3 HP	3 KW	5 HP	7.5 KW	7.5 KW	10 HP	7.5 KW	10 HP	7.5 KW	
25	1.5 HP	3 HP	3 HP	7.5 HP	7.5 HP	4 KW	7.5 HP	9 KW	9 KW	15 HP	9 KW	20 HP	9 KW	
32	2 HP	5 HP	5 HP	10 HP	10 HP	5.5 KW	10 HP	11 KW	11 KW	20 HP	11 KW	25 HP	11 KW	
63	2 HP	5 HP	5 HP	15 HP	15 HP	11 KW	15 HP	22 KW	22 KW	30 HP	22 KW	30 HP	11 KW	
80	2 HP	5 HP	5 HP	20 HP	20 HP	22 KW	20 HP	37 KW	37 KW	40 HP	37 KW	40 HP	18.5 KW	

SWITCH AMPERES	MAXIMUM KW / HORSEPOWER SINGLE PHASE						MAXIMUM KW / HORSEPOWER - 3 PHASE							
	UL98 & IEC													
UL98	120 VAC	200 VAC	240 VAC	200 VAC	208 VAC	240 VAC	220 VAC	400 VAC	415 VAC	480 VAC	500 VAC	600 VAC	690 VAC	
IEC														
30	2 HP	5 HP	5 HP	10 HP	10 HP	7.5 KW	7.5 HP	15 KW	15 KW	15 HP	15 KW	20 HP	15 KW	
60	3 HP	5 HP	7.5 HP	20 HP	20 HP	11 KW	20 HP	18.5 KW	18.5 KW	40 HP	18.5 KW	40 HP	15 KW	
100	5 HP	15 HP	15 HP	25 HP	25 HP	22 KW	30 HP	37 KW	37 KW	50 HP	37 KW	50 HP	37 KW	
200	NA	NA	NA	NA	NA	75 KW	75 HP	132 KW	132 KW	150 HP	170 KW	200 HP	240 KW	
400	NA	NA	NA	NA	NA	110 KW	125 HP	220 KW	220 KW	250 HP	280 KW	350 HP	355 KW	

### EXB-FDS ELECTRICAL RATINGS

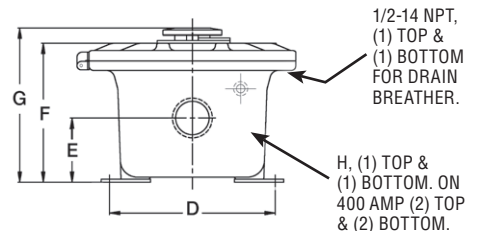
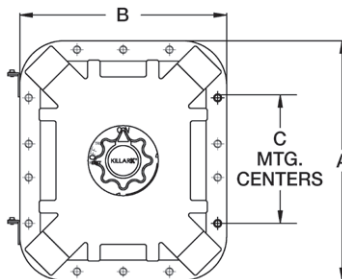
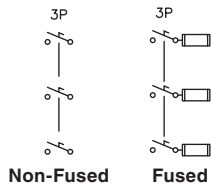
SWITCH AMPERES	MAXIMUM HORSEPOWER - THREE PHASE-3 POLE						MAXIMUM KW / HORSEPOWER - 3 PHASE							
	UL98 & IEC													
UL98	120 VAC	200 VAC	240 VAC	200 VAC	208 VAC	240 VAC	220 VAC	400 VAC	415 VAC	480 VAC	500 VAC	600 VAC	690 VAC	
IEC														
30	2 HP	3 HP	5 HP	5 HP	7.5 HP	7.5 KW	7.5 HP	15 KW	15 KW	15 HP	15 KW	20 HP	25 KW	
60	3 HP	5 HP	10 HP	15 HP	15 HP	11 KW	15 HP	30 KW	30 KW	30 HP	30 KW	50 HP	60 KW	
100	5 HP	10 HP	15 HP	25 HP	25 HP	22 KW	30 HP	90 KW	90 KW	60 HP	37 KW	75 HP	130 KW	
200	NA	NA	NA	50 HP	50 HP	75 KW	60 HP	90 KW	90 KW	125 HP	170 KW	150 HP	200 KW	
400	NA	NA	NA	100 HP	100 HP	110 KW	125 HP	230 KW	230 KW	250 HP	230 KW	350 HP	400 KW	

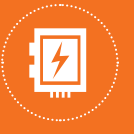
### EXB-NFD DIMENSIONS

AMP RATING	BASIC ENCLOSURE	A	B	C	D	E	F	G	NEC STANDARD CONDUIT OUTLETS		IEC STANDARD CONDUIT OUTLETS	
									TOP	BOTTOM	TOP	BOTTOM
									16/20	EXB-664 N34 SU1	10.32 (262)	10.32 (262)
25/30	EXB-664 N34 SU1	10.32 (262)	10.32 (262)	6.09 (155)	4.00 (102)	2.75 (70)	6.50 (165)	6.50 (165)	1" NPT	1" NPT	M25	M25
32/40	EXB-664 N34 SU1	10.32 (262)	10.32 (262)	6.09 (155)	4.00 (102)	2.75 (70)	6.50 (165)	6.50 (165)	1" NPT	1" NPT	M25	M25
63/60	EXB-664 N34 SU1	10.32 (262)	10.32 (262)	6.09 (155)	4.00 (102)	2.75 (70)	6.50 (165)	6.50 (165)	1 1/2" NPT	1 1/2" NPT	M40	M40
80/80	EXB-886 N34 SU1	12.3125 (313)	12.3125 (313)	8.00 (203)	9.875 (251)	3.8125 (97)	8.125 (206)	9.4375 (240)	2" NPT	2" NPT	M50	M50
16/30/60	EXB-886 N34 SU1	12.3125 (313)	12.3125 (313)	8.00 (203)	9.875 (251)	3.8125 (97)	8.125 (206)	9.4375 (240)	1 1/2" NPT	1 1/2" NPT	M40	M40
100	EXB-8106 N34 SU1	14.3125 (364)	12.3125 (313)	8.00 (203)	9.875 (251)	3.875 (98)	8.3125 (211)	8.625 (219)	2" NPT	2" NPT	M50	M50
200	EXB-12248 N34 SU1	28.375 (721)	16.375 (416)	18.875 (479)	15.9375 (405)	5.375 (137)	11.9375 (303)	12.625 (321)	3" NPT	3" NPT	M63	M63
400	EXB-12368 N34 SU1	41.25 (1048)	17.25 (438)	31.00 (787)	15.00 (381)	5.1875(81)	11.375 (289)	12.6875 (322)	(2) 3" NPT	(2) 3" NPT	(2) M63	(2) M63

### EXB-FDS DIMENSIONS

AMP RATING	BASIC ENCLOSURE	A	B	C	D	E	F	G	NEC STANDARD CONDUIT OUTLETS		IEC STANDARD CONDUIT OUTLETS	
									TOP	BOTTOM	TOP	BOTTOM
									30	EXB-8106 N34 SU1	14.3125 (364)	12.3125 (313)
60	EXB-10106 N34 SU1	15.25 (387)	15.25 (387)	14.9375 (379)	12.9375 (329)	5.062 (129)	10.9375 (278)	12.25 (311)	2" NPT	2" NPT	M40	M40
100	EXB-12188 N34 SU1	22.375 (568)	16.375 (416)	12.875 (327)	14.9375 (379)	5.375 (137)	11.0625 (281)	12.375 (314)	2" NPT	2" NPT	M50	M50
200	EXB-12248 N34 SU1	28.375 (721)	16.375 (416)	18.875 (479)	14.9375 (379)	5.375 (137)	11.9375 (303)	13.375 (340)	3" NPT	3" NPT	M63	M63
400	EXB-18368 N34 SU1	40.375 (1026)	22.375 (568)	31.50 (800)	21.25 (546)	14.375 (365)	14.375 (365)	16.50 (419)	(2) 3" NPT	(2) 3" NPT	(2) M63	(2) M63





## CIRCUIT BREAKER PANELBOARDS



B7L

**Class I, Div. 1 & 2, Groups B, C, D**  
**Class I, Zones 1 & 2, Groups IIB+H2, IIA**  
**Class II, Div. 1 & 2, Groups E, F, G**  
**Class III, Div. 1 & 2**  
**Type 3, 4, 4x, 7 (B, C, D) 9 (E, F, G)**



Classified – File E83969

See files for details or call Killark.



Certified – File LR 11713 for B7L

Indoor/Outdoor

## FEATURES-SPECIFICATIONS

### Features

- TYPE 4, 4x rated for protection from hose directed water and corrosion
- Standard electrical components: B7L-Cutler-Hammer Quicklag Breakers B7P-Cutler-Hammer Series C Breakers
- B7L is furnished with copper buss
- Main lugs. Mechanical solderless type, approved for CU or AL conductors
- Solid Neutral standard. Single phase 3 wire. Three phase 4 wire
- Copper ground bar standard
- Main and branch breaker handles can be padlocked in “ON” or “OFF” position
- Top feed panel standard with bottom feed optional
- Hinged cover, installed as standard
- Quick release, captivated coverbolts of 316 stainless steel

### Materials

- Enclosure: Copper-free aluminum (less than 1/10 of 1%)
- Main Breaker Handle: Copper-free aluminum
- Cover bolts: 316 grade stainless steel
- Flange Gasket “O” Ring: Buna-N Nitrile
- Branch Breaker Operators: Valox Thermoplastic Polyester handle molded onto 316 stainless steel shaft with neoprene “O” ring

- Hinges: Copper-free aluminum with stainless steel pin and hardware
- Mounting Lugs: 1/4” thick aluminum
- Aluminum lacquer paint finish standard

### Panel Selection Factors

Basic information required when specifying panelboards is as follows:

- » Environment
- » Service (Voltage/Frequency/Phase)
- » Interrupting capacity
- » AMP Rating of Main (Lugs only or Breaker)
- » Branch Breaker (Type/Number of Poles/Amperage)

### Ordering Information

Specifying and ordering a complete panelboard assembly requires the selection of three components. (1) **Basic Panel** (2) **Branch Breaker** and (3) **Options** (if required). This method of cataloging permits a wide variety and maximizes circuit flexibility in our panelboard offering. Components supplied in each of these selections include:

#### 1) Basic Panelboard Enclosures

- » Explosion-proof enclosure consisting of box and cover
- » Cover predrilled and plugged for maximum number of branch breaker handles (handles not supplied)
- » Box supplied with conduit openings

- » Main circuit breaker and external handle (when specified)
- » Panelboard internal chassis with buss bars but less branch circuit breakers

#### 2) Branch Circuit Breakers

- » Internal circuit breaker
- » External handle mechanism with internal tripping mechanism
- » Test pushbutton for GFI (when ordered)
- » Lockout shield with on-off-trip-reset identification

#### 3) Options – Accessories

### Ordering Example

Specification is for a 3 phase 120/208 volt panel with 100 Amp main lugs complete with (4) single pole 20 Amp (2) double pole 20 Amp and (1) three pole 30 Amp branch breakers.

Branch Breaker Total =

- (4) 1 Pole = 4 Poles Total
- (2) 2 Pole = 4 Poles Total
- (1) 3 Pole = 3 Poles Total

Total 11 Branch Poles

Specification/Ordering Example

B7L20 - 312 - ML100 (Basic panelboard enclosure) with:

- (4) B7BLA1020 (1 Pole 20 Amp Branch)
- (2) B7BLA2020 (2 Pole 20 Amp Branch)
- (1) B7BLB3030 (3 Pole 30 Amp Branch)



## LIGHTING PANELBOARDS

### Cutler-Hammer type BA circuit breaker 1 - 2 or 3 pole.

Catalog numbers on this page are for the basic panelboard enclosure only with a panel interior chassis containing main lugs or main breaker as illustrated.

Internal branch breakers and external handles are NOT included in the basic enclosure catalog number and must be ordered as separate items.

### Branch circuit loads

The interior panel chassis supplied in B7L panel is limited to a maximum of 140 amperes at any one connection point. Breakers of 50 thru 100 amps must be installed opposite breakers of smaller amperage so as not to exceed the 140 ampere limitation.

B7L PANEL WITHOUT MAIN BREAKER (MAIN LUGS ONLY) LESS BRANCH BREAKERS						
ELECTRICAL RATING	MAIN LUG RATING	NUMBER OF BRANCH POLES	CATALOG NUMBER BASIC ENCLOSURE AND CHASSIS	ENCLOSURE BOX SIZE	MAIN WIRE RANGE	LBS
Single phase 3 wire with solid neutral 120/240 VAC	100	12	B7L20 - 112 - ML100	A	E	140
	100	18	B7L29 - 118 - ML100	B	G	190
	225	18	B7L29 - 118 - ML225	B	F	190
	100	24	B7L29 - 124 - ML100	B	G	190
	225	24	B7L41 - 124 - ML225	C	F	250
	100	30	B7L41 - 130 - ML100	C	G	250
	225	30	B7L41 - 130 - ML225	C	F	250
	225	36	B7L41 - 136 - ML225	C	F	250
	225	42	B7L41 - 142 - ML225	C	F	250
Three phase 4 wire with solid neutral 120/208 VAC	100	12	B7L20 - 312 - ML100	A	E	140
	100	18	B7L29 - 318 - ML100	B	G	190
	225	18	B7L29 - 318 - ML225	B	F	190
	100	24	B7L29 - 324 - ML100	B	G	190
	225	24	B7L41 - 324 - ML225	C	F	250
	100	30	B7L41 - 330 - ML100	C	G	250
	225	30	B7L41 - 330 - ML225	C	F	250
	225	36	B7L41 - 336 - ML225	C	F	250
	225	42	B7L41 - 342 - ML225	C	F	250

CIRCUIT BREAKER RATINGS			
TYPE	NO. OF POLES	VOLT	AMPERES SYMMETRICAL
BAB <sup>Ⓢ</sup>	1	120	10,000 AIC
BAB <sup>Ⓢ</sup>	2	120/240	10,000 AIC
BAB <sup>Ⓢ</sup>	3	240	10,000 AIC
BABSWN <sup>Ⓢ</sup>	1	120/240	10,000 AIC
BABSWN <sup>Ⓢ</sup>	2	120/240	10,000 AIC
QBGF	1	120	10,000 AIC
QBGF	2	120/240	10,000 AIC
QBGFEP	1	120	10,000 AIC
QBGFEP	2	120/240	10,000 AIC
BAB*D <sup>Ⓢ</sup>	1	120	10,000 AIC
BAB*D <sup>Ⓢ</sup>	2	120/240	10,000 AIC

Ⓢ Type BAB also rated for 80V DC at 5,000 AIC.

Ⓢ Type BAB\* D designed for HID lighting applications.

B7L PANEL WITH MAIN BREAKER LESS BRANCH BREAKERS							
ELECTRICAL RATING	MAIN BREAKER FRAME	MAIN BREAKER AND RATING	NUMBER OF BRANCH POLES	CATALOG NUMBER BASIC ENCLOSURE AND CHASSIS	ENCLOSURE BOX SIZE	MAIN WIRE RANGE	LBS
Single phase 3 wire with solid neutral 120/240 VAC	EHD	100	12	B7L29 - 112 - MBE100	B	H	190
	EHD	100	18	B7L41 - 118 - MBE100	C	H	250
	EHD	100	24	B7L41 - 124 - MBE100	C	H	250
	ED	225	24	B7L41 - 124 - MBC225	C	I	250
	EHD	100	30	B7L41 - 130 - MBE100	C	H	250
	ED	225	30	B7L41 - 130 - MBC225	C	I	250
	ED	225	36	B7L50 - 136 - MBC225	D	I	300
	ED	225	42	B7L50 - 142 - MBC225	D	I	300
	Three phase 4 wire with solid neutral 120/208 VAC	EHD	100	12	B7L29 - 312 - MBE100	B	H
EHD		100	18	B7L41 - 318 - MBE100	C	H	250
EHD		100	24	B7L41 - 324 - MBE100	C	H	250
ED		225	24	B7L41 - 324 - MBC225	C	I	250
EHD		100	30	B7L41 - 330 - MBE100	C	H	250
ED		225	30	B7L41 - 330 - MBC225	C	I	250
ED		225	36	B7L50 - 336 - MBC225	D	I	300
ED		225	42	B7L50 - 342 - MBC225	D	I	300

B7L PANEL WITH BACK FEED MAIN BREAKER LESS BRANCH BREAKERS							
ELECTRICAL RATING	MAIN BREAKER FRAME	MAIN BREAKER AND RATING	NUMBER OF BRANCH POLES	CATALOG NUMBER BASIC ENCLOSURE AND CHASSIS	ENCLOSURE BOX SIZE	MAIN WIRE RANGE	LBS
Single phase 3 wire with solid neutral 120/240 VAC	BAB	100	12	B7L29 - 112 - MBB100	B	J	190
	BAB	100	18	B7L29 - 118 - MBB100	B	J	190
	BAB	100	24	B7L41 - 124 - MBB100	C	J	250
	BAB	100	30	B7L41 - 130 - MBB100	C	J	250
Three phase 4 wire with solid neutral 120/208 VAC	BAB	100	12	B7L29 - 312 - MBB100	B	J	190
	BAB	100	18	B7L29 - 318 - MBB100	B	J	190
	BAB	100	24	B7L41 - 324 - MBB100	C	J	250
	BAB	100	30	B7L41 - 330 - MBB100	C	J	250

NOTE: Main breaker panel includes main breaker and its price in basic enclosure part number. Refer to page DE15 for branch breaker ordering information.



## BRANCH BREAKERS ACCESSORIES / OPTIONS

BRANCH CIRCUIT BREAKERS						
NUMBER OF POLES PER BREAKER	TRIP AMP RATING	B7L SERIES LIGHTING PANEL				
		BAB FRAME STANDARD	BAB FRAME HID HIGH INTENSITY DISCHARGE	BAB FRAME SWITCH NEUTRAL	QBGF GROUND FAULT 5MA	QBGP EQUIPMENT PROTECTION 30MA
(1) Single Phase 120 Volt	SPACE	B7BLA1000	B7BLD1000	—	B7BLC1000	B7BLE1000
	15	B7BLA1015	B7BLD1015	—	B7BLC1015	B7BLE1015
	20	B7BLA1020	B7BLD1020	—	B7BLC1020	B7BLE1020
	30	B7BLA1030	B7BLD1030	—	B7BLC1030	B7BLE1030
	40	B7BLA1040	B7BLD1040	—	B7BLC1040	B7BLE1040
	50	B7BLA1050	B7BLD1050	—	—	—
	60	B7BLA1060	B7BLD1060	—	—	—
	70	B7BLA1070	—	—	—	—
	90	—	—	—	—	—
(2) Double Pole 120/240 Volt	SPACE	B7BLA2000	B7BLD2000	B7BLF2000	B7BLC2000	B7BLE2000
	15	B7BLA2015	B7BLD2015	B7BLF2015	B7BLC2015	B7BLE2015
	20	B7BLA2020	B7BLD2020	B7BLF2020	B7BLC2020	B7BLE2020
	30	B7BLA2030	B7BLD2030	B7BLF2030	B7BLC2030	B7BLE2030
	40	B7BLA2040	B7BLD2040	—	B7BLC2040	B7BLE2040
	50	B7BLA2050	B7BLD2050	—	B7BLC2050	B7BLE2050
	60	B7BLA2060	B7BLD2060	—	—	—
	70	B7BLA2070	—	—	—	—
	90	B7BLA2090	—	—	—	—
(3) Three Pole 120/240 Volt	SPACE	B7BLB3000	—	B7BLF3000	—	—
	15	B7BLB3015	—	B7BLF3015	—	—
	20	B7BLB3020	—	B7BLF3020	—	—
	30	B7BLB3030	—	B7BLF3030	—	—
	40	B7BLB3040	—	—	—	—
	50	B7BLB3050	—	—	—	—
	60	B7BLB3060	—	—	—	—
	70	B7BLB3070	—	—	—	—
	90	B7BLB3090	—	—	—	—
	100	B7BLB3100	—	—	—	—
	110	—	—	—	—	—
	125	—	—	—	—	—
	150	—	—	—	—	—

## MODIFICATIONS

CATALOG NUMBER	DESCRIPTION
SU-3B-4X	Drain/Breather NEMA 4X/7 B,C,D
SU-10B-4X	Drain NEMA 4X/7 B,C,D
SU-11B-4X	Breather NEMA 4X/7 B,C,D
KIT-251	Grounding kit, 100 AMP
KIT-252	Grounding kit, 225 AMP
B7SF	Special baked epoxy finish
B7EYEBOLT	Eye bolts for ease of installation <sup>Ⓢ</sup>
B7ML225	Change 100 amp buss to 225 amp B7P series
B7MLBTM	Main lugs at bottom
B7SPNPT	Change standard conduit size and location
B7GSN	Kit to ground neutral bar

\* To be ordered as separate item with notation on order for assembly into enclosure.

Ⓢ Lifting eyebolts are installed in two conduit openings located in top of box and are to be removed after installation.

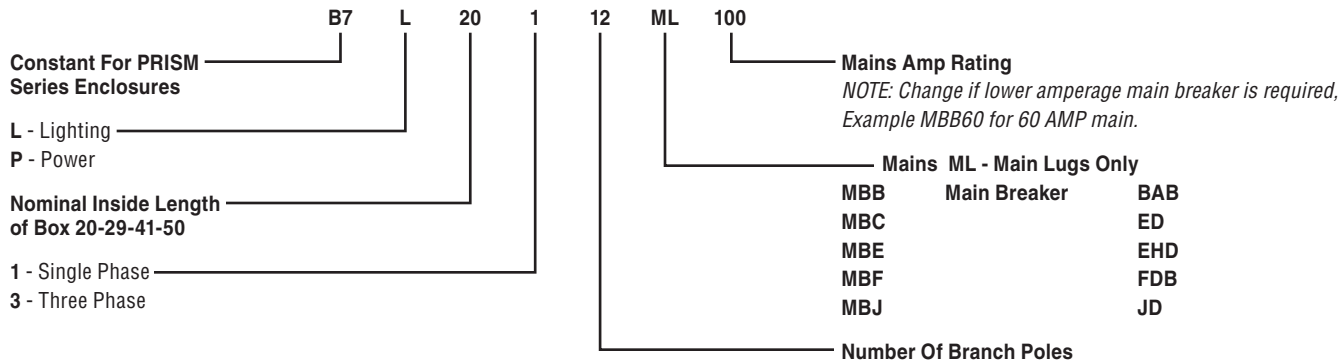
## Branch Breaker Notes:

- 1) B7L panels are factory drilled for maximum number of single pole branch breaker handles and B7P for maximum number of 3 pole branch breaker handles as standard.
- 2) Part numbers illustrated above include external handle, trip mechanism, locking tab and internal breaker. Refer to page DE12 for complete ordering information and examples.
- 3) Space = External handle, shaft and trip mechanism installed to allow for future installation of breaker.
- 4) Ground Fault & Equipment protection breakers include external pushbutton for each breaker to test ground fault sensing circuit and the mechanical operation of breaker.
- 5) Switch Neutral Breaker note. A two pole breaker has one pole for breaking from main buss and one pole that breaks neutral. Three pole breaker consists of two poles for breaking from main buss and one pole that breaks neutral.



## CATALOG LOGIC / WIRING / DATA DIMENSIONS

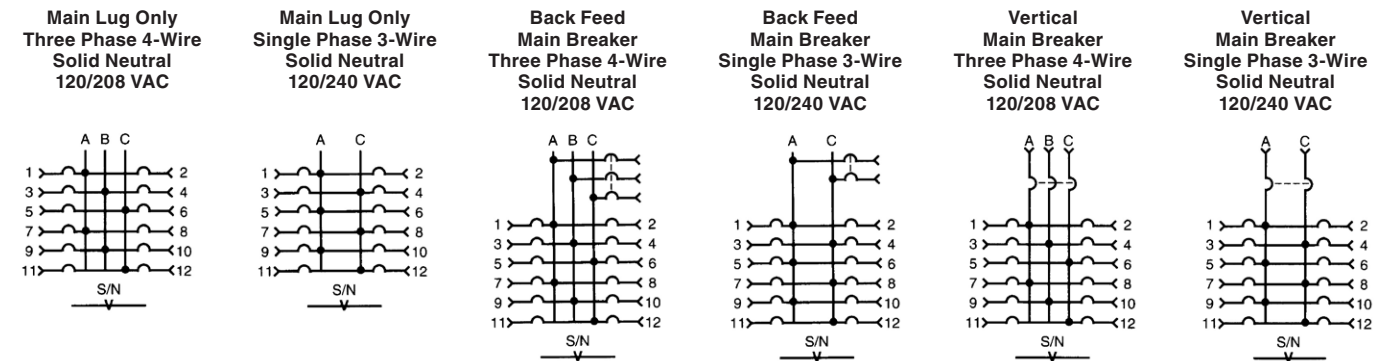
### Catalog Logic – for basic Panelboard Enclosures



WIRE SIZES									
E	F	G	H	I	J	K	L	M	N
#12-#1	#6-250MCM	#12-1/0	#14-1/0	2/0-250MCM	#14-#1	#6-2/0	#6-4/0	#2-4/0	#2-2/0

### Wiring Diagrams B7L Series

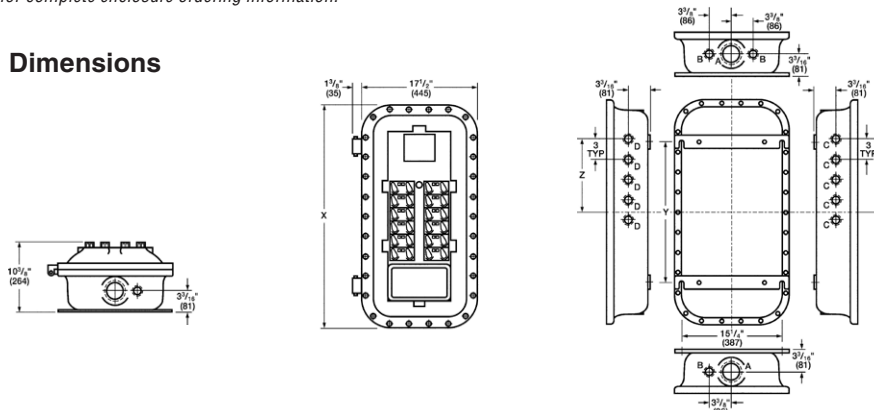
(Note: B7P Series are single column)



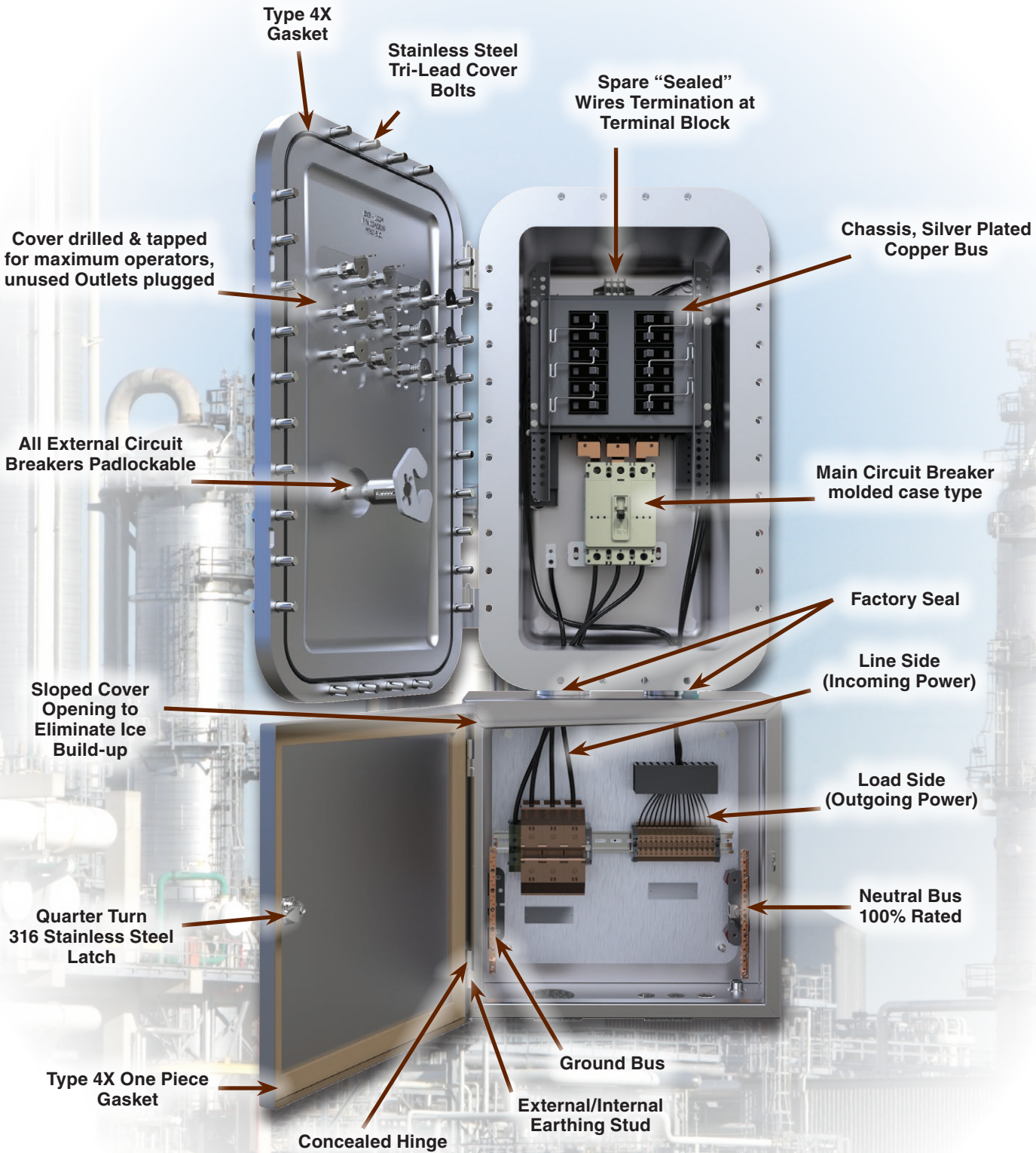
ENCLOSURE BOX SIZE		X	Y	CONDUIT SIZE		Z	CONDUIT QUANTITY			
LETTER	BASE BOX NUMBER <sup>①</sup>			A	B, C, D		A	B	C	D
A	MXB-13207	24-3/4"(629)	13"(330)	2"	1"	6-7/8"(175)	2	3	3	4
B	MXB-13297	33-3/8"(848)	21"(533)	2-1/2"	1"	10-7/8"(276)	2	3	4	5
C	MXB-13417	45-3/8"(1153)	33"(838)	3"	1"	16-7/8"(429)	2	3	5	6
D	MXB-13507	54-3/8"(1381)	42"(1067)	3"	1"	21-3/8"(543)	2	3	6	7

① See pages DE13 and DE14 for complete enclosure ordering information.

### Dimensions









## FACTORY SEALED CIRCUIT BREAKER PANELBOARDS



**Class I, Div. 2, Groups B, C & D (Type 7)**  
**Class II, Div. 2, Groups E, F & G (Type 9)**  
**Class III, Div. 1 & 2**  
**Class I, Zone 2, Group IIB + H2**  
**TYPE 3, 4, 4X, 7 (B,C,D), 9 (E,F,G)**



UL Classified – Standard 877, 1203



CSA Certified – Standard C22.2, Nos. 29, 30

## FEATURES-SPECIFICATIONS

### Features

- All hardware is stainless steel, cover bolts are quick release Tri-Lead.
- Line and load connection are pre-wired for ease of installation.
- Standard wiring chamber is stainless steel, bottom entry.
- Both enclosures are set up as a standard feature for breather/drain fittings and base to cover static ground strap.
- All circuit breakers are pad lockable in the “ON” or “OFF” positions for up to three padlocks (to allow ease of lock out – tag out capabilities).
- Silver plated copper bus panelboard interiors are standard and the cover of the explosion proof enclosure is pre-drilled for future expansion or changing breakers in the field.
- External ground lug standard.
- Solid neutral (tin plated) standard for single and three phase.
- 50°C calibrated circuit breakers are available upon request, with a “V” suffix rating.

### Materials

- **Breaker enclosure:** Cast copper free aluminum (less than 1/10 of 1%)
- **Cover Bolts:** Type 316 stainless steel quick turn (Tri-Lead), finish Aluminum Lacquer Paint.
- **Wiring enclosure:** 316L Stainless Steel 14 gauge.

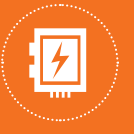
### Electrical Ratings

- Single Phase – 120/240VAC, 3 Wire, 60hz
- Three Phase – 120/208VAC, 4 Wire, 60Hz
- Main Circuit Breaker MCCB Type (150AF/15 to 150AT for the 12 Circuit, 225AF/15 to 225AT for the 18, 24, 30, 36 & 42 Circuit), Standard AIC rating is 14KAIC at 480VAC, however higher interrupting capacity rating are available up to 65KAIC.
- MLO main lug Silver Plated Copper Bus Bars only (100A Rated for 12 Circuit, 225A FOR 18, 24, 30, 36 & 42)
- Branch Breakers (120/240VAC Quicklag Bolt-On Trip Ranges
  - » Standard BAB (10KAIC) Thermal Magnetic Breaker, 10, 15, 20, 25, 30, 35, 40, 45, 50, 55, 60, 70, 80, 90, 100 amp trip rating.

- » Higher Rated QBHW (22KAIC) Thermal Magnetic Breaker, 10, 15, 20, 25, 30, 35, 40, 45, 50, 55, 60, 70, 80, 90, 100 amp trip rating.
- » Ground Fault QBGF GFI (5mA Sensitivity) Type, 1 and 2 pole, 15, 20, 25, 30, 40, (50A available in two pole only).
- » Equipment Protection QBGEP EPD (30mA Sensitivity) Type, 15, 1 and 2 pole, 20, 25, 30, 40, (50A available in two pole only).
- » High Intensity Discharge BAB HID, 1 and 2 Pole, 15, 20, 25, 30, 40, 50, 60 amp rating.

### MODIFICATIONS

CATALOG NO.	DESCRIPTION
KIT-251	Grounding kit, 100 AMP
KIT-252	Grounding kit, 225 AMP
B7SF	Special baked epoxy finish
B7EYEBOLT	Eye bolts for ease of installation
B7GSN	Kit to ground neutral bar



FACTORY SEALED CIRCUIT BREAKER PANELBOARDS



Class I, Div. 2, Groups B, C, D  
(Type 7 for Gas Group)  
Class I, Zone 2, Groups IIB+H2, IIA  
Class II, Div. 2, Groups F, G  
(Type 9 for Dust Group)  
Class III, Div. 1 & 2  
TYPE 3, 4, 4X, 7 & 9

Classified – File E83969  
 Certified – File LR11713

Catalog Numbers on this page are for the basic Termination Enclosure with distribution, neutral, ground bar and terminal blocks plus a Breaker Enclosure with internal pan. Enclosures are connected together with factory poured sealing chambers and mounted on aluminum frame for wall mounting.

External breaker handles and internal branch breakers are not included and must be ordered as separate items for factory installation.

**CIRCUIT BREAKER RATINGS**

TYPE	NO. OF POLES	VOLT	AMPERES SYMMETRICAL
BAB <sup>①</sup>	1	120	10,000 AIC
BAB <sup>①</sup>	2	120/240	10,000 AIC
BAB <sup>①</sup>	3	240	10,000 AIC
QBHW	1	120/240	22,000AIC
QBHW	2	120/240	22,000AIC
QBHW	2	240	22,000AIC
QBHW	3	240	22,000AIC
BABSWN <sup>①</sup>	1	120/240	10,000 AIC
BABSWN <sup>①</sup>	2	120/240	10,000 AIC
QBGF	1	120	10,000 AIC
QBGF	2	120/240	10,000 AIC
QBGFEP	1	120	10,000 AIC
QBGFEP	2	120/240	10,000 AIC
BAB*D <sup>②</sup>	1	120	10,000 AIC
BAB*D <sup>②</sup>	2	120/240	10,000 AIC

**D2LC FACTORY SEALED LIGHTING PANELBOARD  
MAIN LUG ONLY**

ELECTRICAL RATING	# OF BRANCH POLES	MAIN LUG RATING AMPS	CATALOG NO. BASIC ENCLOSURE	MAIN WIRE RANGE	PANEL SIZE	ENCLOSURE EXB	ENCLOSURE TERMINAL BOX
SINGLE PHASE 3 WIRE WITH SOLID NEUTRAL 120/240VAC	12	100	D2LC-112-ML100	#14AWG-2/0	A	EXB-12188 N34	USFS181808
	18	225	D2LC-118-ML225	#6AWG-350MCM	B	EXB-12248 N34	USFS181808
	24	225	D2LC-124-ML225	#6AWG-350MCM	B	EXB-12248 N34	USFS181808
	30	225	D2LC-130-ML225	#6AWG-350MCM	C	EXB-12368 N34	USF241808
	36	225	D2LC-136-ML225	#6AWG-350MCM	C	EXB-12368 N34	USF241808
	42	225	D2CL-142-ML225	#6AWG-400MCM	D	EXB-12368 N34	USF241808
THREE PHASE 4 WIRE WITH SOLID NEUTRAL 120/208VAC	12	100	D2LC-312-ML100	#14AWG-2/0	A	EXB-12188 N34	USFS181808
	18	225	D2LC-318-ML225	#6AWG-350MCM	B	EXB-12248 N34	USFS181808
	24	225	D2LC-324-ML225	#6AWG-350MCM	B	EXB-12248 N34	USFS181808
	30	225	D2LC-330-ML225	#6AWG-350MCM	C	EXB-12368 N34	USF241808
	36	225	D2LC-336-ML225	#6AWG-350MCM	C	EXB-12368 N34	USF241808
	42	225	D2CL-342-ML225	#6AWG-400MCM	D	EXB-12368 N34	USF241808

**MAIN CIRCUIT BREAKER (MCCB)**

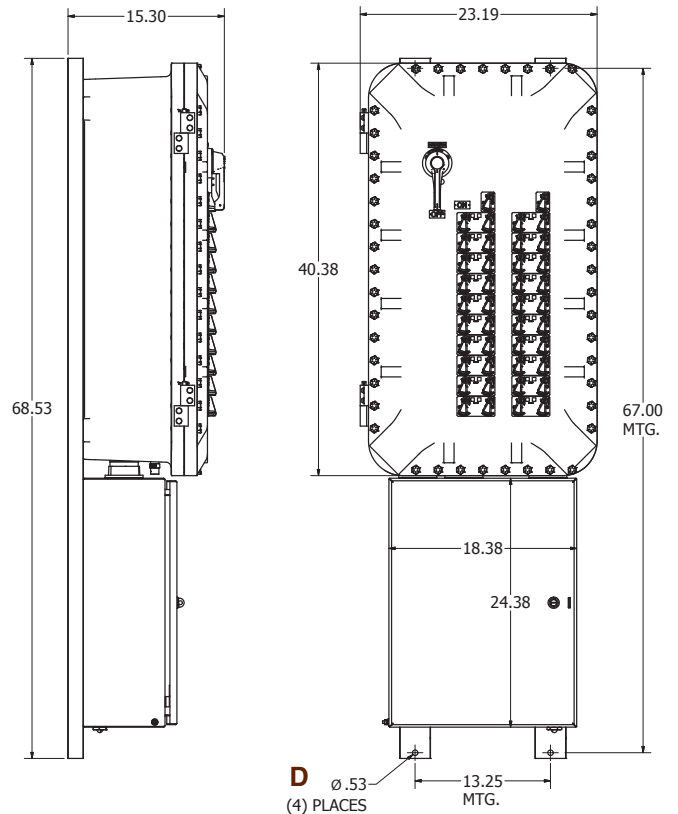
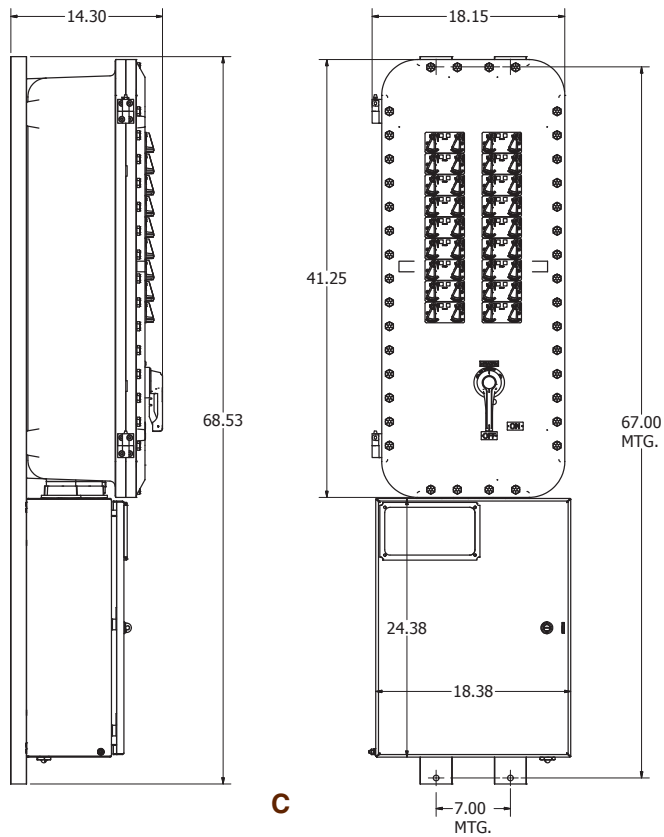
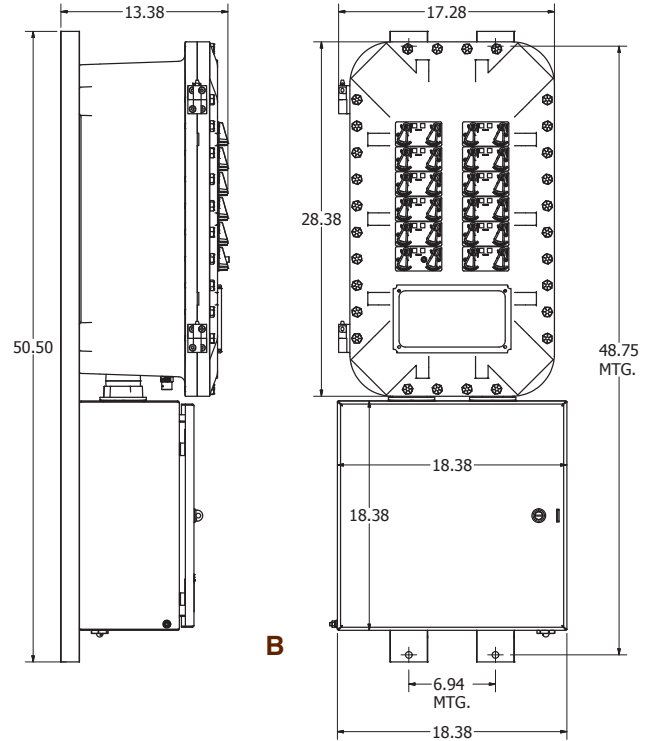
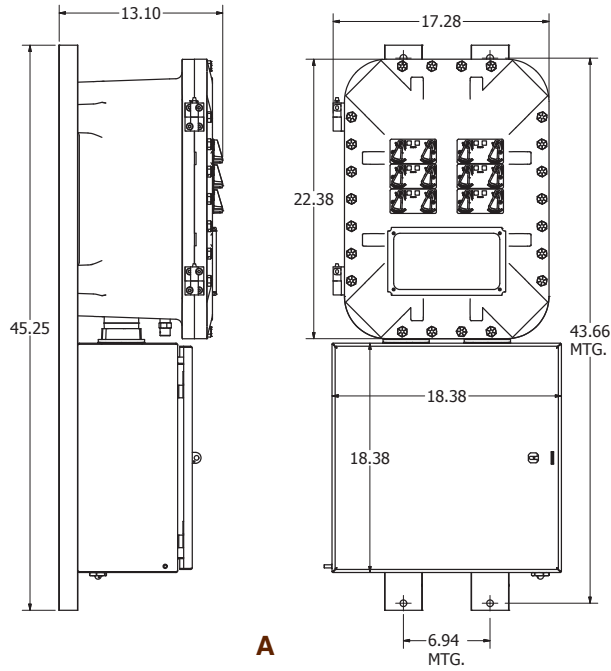
ELECTRICAL RATING	# OF BRANCH POLES	MAIN CIRCUIT BREAKER		CATALOG NO. BASIC ENCLOSURE	INCOMING MAIN WIRE RANGE	PANEL SIZE	ENCLOSURE EXB	ENCLOSURE TERMINAL BOX
		FRAME	AMPS					
SINGLE PHASE 3 WIRE WITH SOLID NEUTRAL 120/240VAC	12	EHD	100	D2LC-112-MB100	#14AWG - 1/0	B	EXB-12248 N34	USFS181808
	18	ED	225	D2LC-118-MB225	#4AWG - 4/0	C	EXB-12368 N34	USFS241808
	24	ED	225	D2LC-124-MB225	#4AWG - 4/0	C	EXB-12368 N34	USFS241808
	30	ED	225	D2LC-130-MB225	#4AWG - 4/0	C	EXB-12368 N34	USF241808
	36	ED	225	D2LC-136-MB225	#4AWG - 4/0	C	EXB-12368 N34	USF241808
	42	ED	225	D2CL-142-MB225	#4AWG - 4/0	D	EXB-12368 N34	USF241808
THREE PHASE 4 WIRE WITH SOLID NEUTRAL 120/208VAC	12	EHD	100	D2LC-312-MB100	#14AWG - 1/0	B	EXB-12218 N34	USFS181808
	18	ED	225	D2LC-318-MB225	#4AWG - 4/0	C	EXB-12368 N34	USFS241808
	24	ED	225	D2LC-324-MB225	#4AWG - 4/0	C	EXB-12368 N34	USFS241808
	30	ED	225	D2LC-330-MB225	#4AWG - 4/0	C	EXB-12368 N34	USF241808
	36	ED	225	D2LC-336-MB225	#4AWG - 4/0	C	EXB-12368 N34	USF241808
	42	EC	225	D2CL-342-MB225	#4AWG - 4/0	D	EXB-12368 N34	USF241808

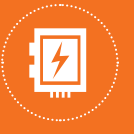
NOTE: To substitute a lower amperage main breaker change last three digits of catalog number to desired amperage.  
Example: For a 50 amp main breaker part number = D2L-309-MBQ050  
See page DE4 for Branch Breaker Selection  
See page DE5 for Dimensions, Wire Range Chart and Wiring Diagrams.  
Panels are constructed with Terminal Box on Bottom Feed.  
If Bottom Feed is required order modification D2MLBTM for inverted panel with Terminal Box on Bottom.

① Type BAB also rated for 80V DC at 5,000 AIC.  
② Type BAB\* D designed for HID lighting applications.



## DIMENSIONAL DRAWINGS





BRANCH BREAKERS ACCESSORIES / OPTIONS



**Class I, Div. 2, Groups B, C, D (Type 7)  
Gas Group**  
**Class I, Zone 2, Groups IIB+H2, IIA**  
**Class II, Div. 2, Groups F, G (Type 9 Dust  
Group)**  
**Class III, Div. 1 & 2**  
**TYPE 3, 4, 4X, 7 & 9**

 Classified – File E83969

 Certified – File LR11713

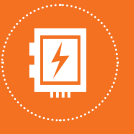
- NOTES:**
- 1) Part numbers below include external handle, trip mechanism, locking tab and internal branch circuit breaker.
  - 2) Refer to page DE2 for complete ordering information and examples.
  - 3) Refer to pages DE3 and DE4 for maximum voltage and ratings of circuit breakers.
  - 4) Space = External handle, trip mechanism installed to allow for future installations of breakers.
  - 5) Ground Fault and Equipment protection breakers include external button for test purpose.
  - 6) Handle only.

BRANCH CIRCUIT BREAKERS							
NUMBER OF POLES PER BREAKER	TRIP AMP RATING	BAB FRAME 10KAIC STANDARD	QBHW FRAME 22KAIC HIGH BREAK	QBGF GROUND FAULT 5MA	QBGEQ EQUIPMENT PROTECTION 30MA	BAB FRAME HID HIGH INTENSITY DISCHARGE	BAB FRAME SWITCHED NEUTRAL
(1) ONE POLE 120/240VAC 62.5VDC	SPACE (HANDLE ONLY)	B7BLA1000	B7BLG1000	B7BLC1000	B7BLE1000	B7BLD1000	
	10	B7BLA1010	B7BLG1010				
	15	B7BLA1015	B7BLG1015	B7BLC1015	B7BLE1015	B7BLD1015	
	20	B7BLA1020	B7BLG1020	B7BLC1020	B7BLE1020	B7BLD1020	
	25	B7BLA1025	B7BLG1025	B7BLC1025	B7BLE1025		
	30	B7BLA1030	B7BLG1030	B7BLC1030	B7BLE1030	B7BLD1030	
	35	B7BLA1035	B7BLG1035				
	40	B7BLA1040	B7BLG1040	B7BLC1040	B7BLE1040	B7BLD1040	
	45	B7BLA1045	B7BLG1045				
	50	B7BLA1050	B7BLG1050			B7BLD1050	
	55	B7BLA1055	B7BLG1055				
	60	B7BLA1060	B7BLG1060			B7BLD1060	
	70	B7BLA1070	B7BLG1070				
	80						
	90						
	100	B7BLA1100					
110							
125							

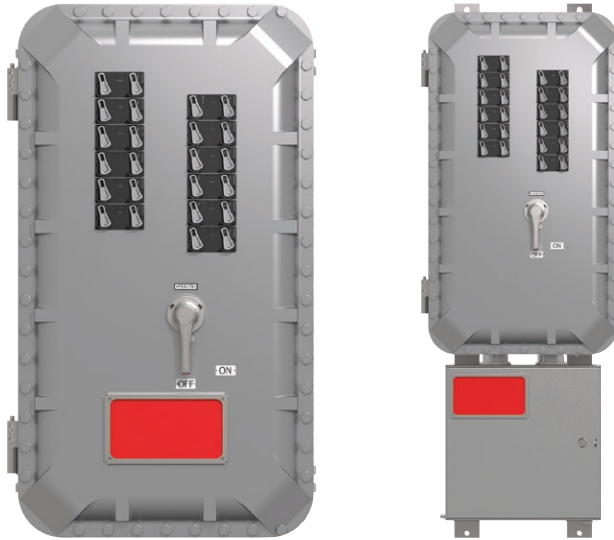


BRANCH BREAKERS ACCESSORIES / OPTIONS

BRANCH CIRCUIT BREAKERS							
NUMBER OF POLES PER BREAKER	TRIP AMP RATING	BAB FRAME 10KAIC STANDARD	QBHW FRAME 22KAIC HIGH BREAK	QBGF GROUND FAULT 5MA	QBGEF EQUIPMENT PROTECTION 30MA	BAB FRAME HID HIGH INTENSITY DISCHARGE	BAB FRAME SWITCHED NEUTRAL
(2) DOUBLE POLE 120/240VAC 80VDC	SPACE (HANDLE ONLY)	B7BLA2000	B7BLG2000	B7BLC2000	B7BLE2000	B7BLD2000	B7BLF2000
	10	B7BLA2010	B7BLG2010				
	15	B7BLA2015	B7BLG2015	B7BLC2015	B7BLE2015	B7BLD2015	B7BLF2015
	20	B7BLA2020	B7BLG2020	B7BLC2020	B7BLE2020	B7BLD2020	B7BLF2020
	25	B7BLA2025	B7BLG2025	B7BLC2025	B7BLE2025		
	30	B7BLA2030	B7BLG2030	B7BLC2030	B7BLE2030	B7BLD2030	B7BLF2030
	35	B7BLA2035	B7BLG2035				
	40	B7BLA2040	B7BLG2040	B7BLC2040	B7BLE2040	B7BLD2040	
	45	B7BLA2045	B7BLG2045				
	50	B7BLA2050	B7BLG2050	B7BLC2050	B7BLE2050	B7BLD2050	
	55	B7BLA2055	B7BLG2055				
	60	B7BLA2060	B7BLG2060			B7BLD2060	
	70	B7BLA2070	B7BLG2070				
	80	B7BLA2080	B7BLG2080				
	90	B7BLA2090	B7BLG2090				
	100	B7BLA2100	B7BLG2100				
	110	B7BLA2110	B7BLG2110				
125	B7BLA2125	B7BLG2125					
(2) DOUBLE POLE 240VAC	SPACE (HANDLE ONLY)		B7BLG2000				
	10		B7BLG2010H				
	15		B7BLG2015H				
	20		B7BLG2020H				
	25		B7BLG2025H				
	30		B7BLG2030H				
	35		B7BLG2035H				
	40		B7BLG2040H				
	45		B7BLG2045H				
	50		B7BLG2050H				
	55		B7BLG2055H				
	60		B7BLG2060H				
	70		B7BLG2070H				
	80		B7BLG2080H				
90		B7BLG2090H					
100		B7BLG2100H					
110		B7BLG2110H					
125		B7BLG2125H					
(3) THREE POLE 240VAC	SPACE (HANDLE ONLY)	B7BLB3000	B7BLG3000				B7BLF3000
	10	B7BLB3010	B7BLG3010H				
	15	B7BLB3015	B7BLG3015H				B7BLF3015
	20	B7BLB3020	B7BLG3020H				B7BLF3020
	25	B7BLB3025	B7BLG3025H				
	30	B7BLB3030	B7BLG3030H				B7BLF3030
	35	B7BLB3035	B7BLG3035H				
	40	B7BLB3040	B7BLG3040H				
	45	B7BLB3045	B7BLG3045H				
	50	B7BLB3050	B7BLG3050H				
	55	B7BLB3055	B7BLG3055H				
	60	B7BLB3060	B7BLG3060H				
	70	B7BLB3070	B7BLG3070H				
	80	B7BLB3080	B7BLG3080H				
	90	B7BLB3090	B7BLG3090H				
100	B7BLB3100	B7BLG3100H					
110	B7BLB3110	B7BLG3110H					
125	B7BLB3125	B7BLG3125H					



# EXPB<sup>2</sup>™



**EXPB**  
 Panelboard

**NEC / CEC Certifications**

**NEC / CEC Certifications**

**Class I, Groups B, C & D**

**Class I, Zone 1, AEx d IIB+H2**

**Class II, Groups E, F & G**

**Class III**

**Type 3, 4, 4X, 7 (B,C,D), 9 (E,F,G)**

**Ta = -60°C to +70°C (UL & CSA) T5 or T6**



**Files E83969**



**File LR11713**

*NOTE: Non-factory seal is available as QUAD labeled.*

**II 2 GD CE 0518**

**PTB 07 ATEX 1024 (Enclosure with Controls)**

**IEC Ex 07.0022U**



**IEC Ex 07.0023**

## FEATURES-SPECIFICATIONS

### Features

- All hardware is stainless steel, cover bolts are quick release Tri-Lead.
- All circuit breaker are pad lockable in the "ON" or "OFF" position for up to three padlocks (to allow ease of lock out - tag out capabilities).
- Operating Temperature of 0°C to +40°C
- Copper bus panelboard interiors are standard with dead front trim plate for safety.
- Available as non-factory sealed or factory sealed.
- Factory sealed has a stainless steel wiring chamber set up for bottom entry.
- Line and Load connections are pre-wired for ease of installation on factory sealed version.

### Materials

#### Breaker Enclosure

- Cast copper free aluminum (less than 1/10 of 1%). Finish aluminum wet lacquer paint.
- Main Breaker Handle: Copper-free aluminum.
- Flange Gasket "O" Ring: Buna-N-Nitrile.
- Branch Breaker Operators: Valox Thermoplastic Polyester handle molded onto 316 stainless steel shaft with neoprene "O" ring.
- Hinges: Copper-free aluminum with stainless steel pin and hardware.
- Mounting Lugs: 1/4" thick aluminum.

#### Wiring Enclosure

- Type 316 Stainless Steel, 14 Gauge. Killark USF style enclosure suitable for direct entry via hub or cable gland knockouts. Cable gland plates are available upon request.
- Quarter turn 316 stainless steel latch.
- Sloped cover opening to eliminate ice build-up.
- Concealed hinge.
- External/Internal earthing stud.

- Type 4X one piece gasket.
- Ground bus.
- Neutral bus, optional if required.

### Electrical Rating

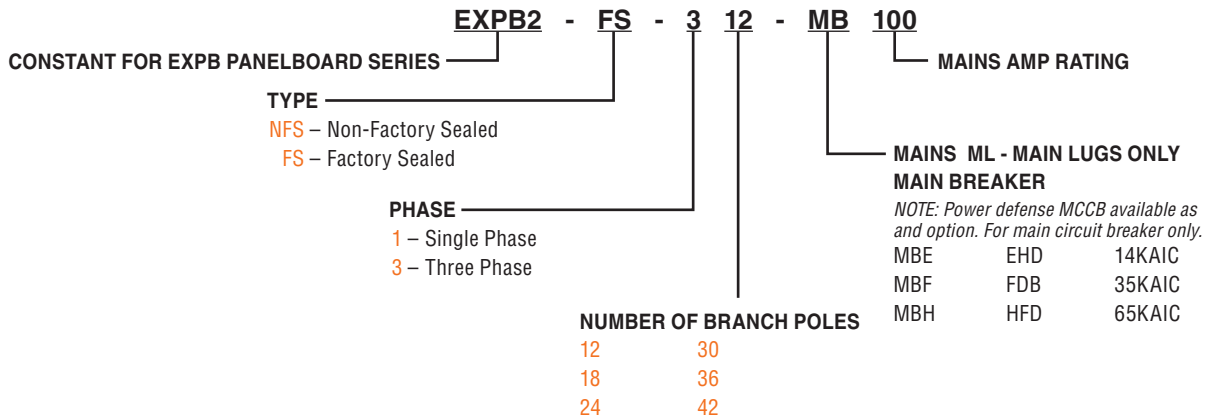
- 277/480 Wye VAC, 3 Phase, 3 or 4 Wire. US
- 347/600 Wye VAC, 3 Phase, 3 or 4 Wire. Canada
- 50/60Hz Frequency
- 14K AIC Standard.
- 35K AIC Optional.
- 65K AIC Optional.
- Main Circuit Breaker Options

MODIFICATIONS	
SUFFIX NUMBER	DESCRIPTION
KIT-251	100 amp ground lug
KIT-252	225 amp ground lug
SU3-ATEX	ATEX IECEx Drain & breather installed. Groups B & Ex d IIB+H2
SU3B-4X	Type 4X drain D & breather installed. Group B, C, D Type 4X
SU2	Install hinges (8x10 and smaller enclosures)
SU9	Special paint finish
SU14	Fungus proofing of enclosures
SU93	Do not paint enclosures



# EXPB2 SMALL POWER PANELBOARD

## CATALOG LOGIC



## EXPB2 FACTORY SEALED POWER PANELBOARD

### MAIN LUG ONLY

ELECTRICAL RATING	NUMBER OF BRANCH POLES	MAIN LUG RATING AMPS	CATALOG NUMBER BASIC ENCLOSURE	MAIN WIRE RANGE	ENCLOSURE EXB	ENCLOSURE TERMINAL BOX
SINGLE PHASE 277/480Y VAC 125 VDC	12	100	EXPB2-FS-112-ML100	#14AWG-2/0AWG	EXB-18248 N34	USF181808
	18	225	EXPB2-FS-118-ML225	#6AWG-350MCM	EXB-18248 N34	USF181808
	24	225	EXPB2-FS-124-ML225	#6AWG-350MCM	EXB-18248 N34	USF181808
	30	225	EXPB2-FS-130-ML225	#6AWG-350MCM	EXB-18368 N34	USF181808
	36	225	EXPB2-FS-136-ML225	#6AWG-350MCM	EXB-18368 N34	USF181808
	42	225	EXPB2-FS-142-ML225	#6AWG-350MCM	EXB-18368 N34	USF181808
THREE PHASE 277/480Y VAC 125 VDC	12	100	EXPB2-FS-312-ML100	#14AWG-2/0AWG	EXB-18248 N34	USF181808
	18	225	EXPB2-FS-318-ML225	#6AWG-350MCM	EXB-18248 N34	USF181808
	24	225	EXPB2-FS-324-ML225	#6AWG-350MCM	EXB-18248 N34	USF181808
	30	225	EXPB2-FS-330-ML225	#6AWG-350MCM	EXB-18368 N34	USF181808
	36	225	EXPB2-FS-336-ML225	#6AWG-350MCM	EXB-18368 N34	USF181808
	42	225	EXPB2-FS-342-ML225	#6AWG-350MCM	EXB-18368 N34	USF181808

### MAIN CIRCUIT BREAKER (MCCB)

ELECTRICAL RATING	NUMBER OF BRANCH POLES	MAIN CIRCUIT BREAKER		CATALOG NUMBER BASIC ENCLOSURE	INCOMING MAIN WIRE RANGE	ENCLOSURE EXB	ENCLOSURE TERMINAL BOX
		FRAME	AMPS				
SINGLE PHASE 277/480Y VAC 125 VDC	12	EHD	100	EXPB2-FS-112-MB100	#14AWG - 1/0AWG	EXB-18248 N34	USF181808
	18	FD	225	EXPB2-FS-118-MB225	#4AWG - 4/0AWG	EXB-18248 N34	USF181808
	24	FD	225	EXPB2-FS-124-MB225	#4AWG - 4/0AWG	EXB-18368 N34	USF181808
	30	FD	225	EXPB2-FS-130-MB225	#4AWG - 4/0AWG	EXB-18368 N34	USF181808
	36	FD	225	EXPB2-FS-136-MB225	#4AWG - 4/0AWG	EXB-18368 N34	USF181808
	42	FD	225	EXPB2-FS-142-MB225	#4AWG - 4/0AWG	EXB-24368 N34	USF242408
THREE PHASE 277/480Y VAC 125 VDC	12	EHD	100	EXPB2-FS-312-MB100	#14AWG - 1/0AWG	EXB-18248 N34	USF181808
	18	FD	225	EXPB2-FS-318-MB225	#4AWG - 4/0AWG	EXB-18248 N34	USF181808
	24	FD	225	EXPB2-FS-324-MB225	#4AWG - 4/0AWG	EXB-18368 N34	USF181808
	30	FD	225	EXPB2-FS-330-MB225	#4AWG - 4/0AWG	EXB-18368 N34	USF181808
	36	FD	225	EXPB2-FS-336-MB225	#4AWG - 4/0AWG	EXB-18368 N34	USF181808
	42	FD	225	EXPB2-FS-342-MB225	#4AWG - 4/0AWG	EXB-24368 N34	USF242408



DISTRIBUTION EQUIPMENT

# EXPB2 SMALL POWER PANELBOARD



## EXPB2 NON-FACTORY SEALED POWER PANELBOARD

### MAIN LUG ONLY

ELECTRICAL RATING	NUMBER OF BRANCH POLES	MAIN LUG RATING AMPS	CATALOG NUMBER BASIC ENCLOSURE	MAIN WIRE RANGE	ENCLOSURE EXB
SINGLE PHASE 277/480Y VAC 125 VDC	12	100	EXPB2-NFS-112-ML100	#14AWG-2/0	EXB-18248 N34
	18	225	EXPB2-NFS-118-ML225	#6AWG-350MCM	EXB-18248 N34
	24	225	EXPB2-NFS-124-ML225	#6AWG-350MCM	EXB-18248 N34
	30	225	EXPB2-NFS-130-ML225	#6AWG-350MCM	EXB-18368 N34
	36	225	EXPB2-NFS-136-ML225	#6AWG-350MCM	EXB-18368 N34
	42	225	EXPB2-NFS-142-ML225	#6AWG-400MCM	EXB-18368 N34
THREE PHASE 277/480Y VAC 125 VDC	12	100	EXPB2-NFS-312-ML100	#14AWG-2/0	EXB-18248 N34
	18	225	EXPB2-NFS-318-ML225	#6AWG-350MCM	EXB-18248 N34
	24	225	EXPB2-NFS-324-ML225	#6AWG-350MCM	EXB-18248 N34
	30	225	EXPB2-NFS-330-ML225	#6AWG-350MCM	EXB-18368 N34
	36	225	EXPB2-NFS-336-ML225	#6AWG-350MCM	EXB-18368 N34
	42	225	EXPB2-NFS-342-ML225	#6AWG-400MCM	EXB-18368 N34

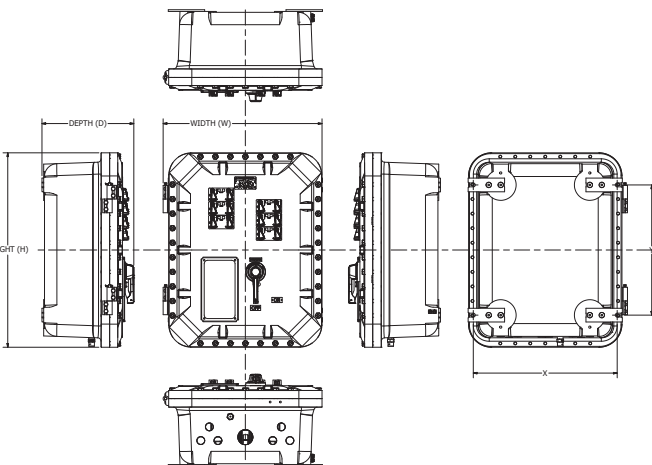
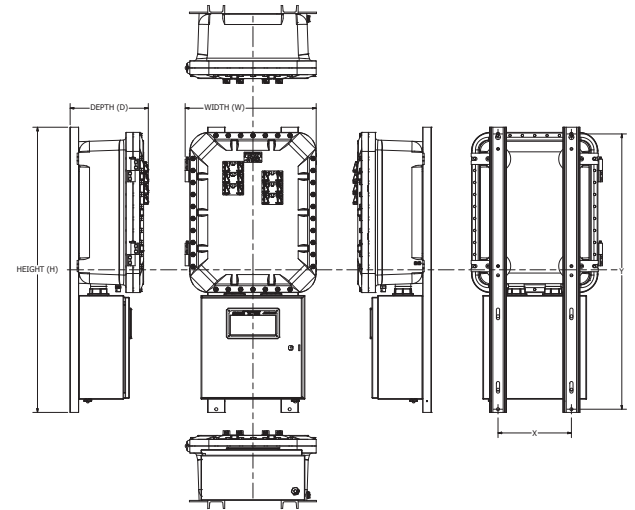
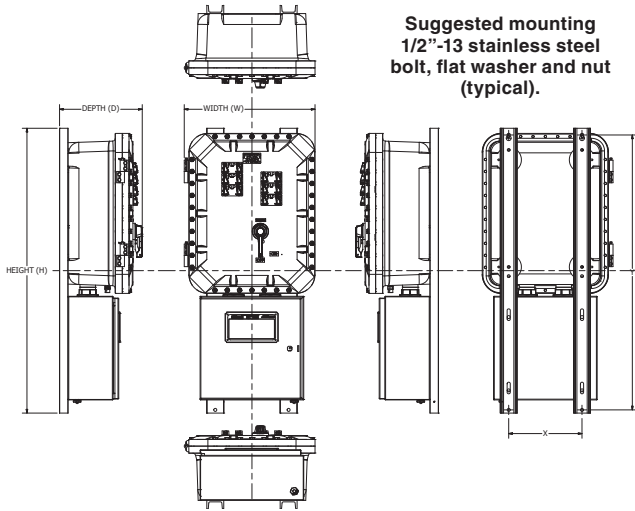
### MAIN CIRCUIT BREAKER (MCCB)

ELECTRICAL RATING	NUMBER OF BRANCH POLES	MAIN CIRCUIT BREAKER		CATALOG NUMBER BASIC ENCLOSURE	INCOMING MAIN WIRE RANGE	ENCLOSURE EXB
		FRAME	AMPS			
SINGLE PHASE 277/480Y VAC 125 VDC	12	EHD	100	EXPB2-NFS-112-MB100	#14AWG - 1/0	EXB-18248 N34
	18	FD	225	EXPB2-NFS-118-MB225	#4AWG - 4/0	EXB-18308 N34
	24	FD	225	EXPB2-NFS-124-MB225	#4AWG - 4/0	EXB-18368 N34
	30	FD	225	EXPB2-NFS-130-MB225	#4AWG - 4/0	EXB-18368 N34
	36	FD	225	EXPB2-NFS-136-MB225	#4AWG - 4/0	EXB-24368 N34
	42	FD	225	EXPB2-NFS-142-MB225	#4AWG - 4/0	EXB-24368 N34
THREE PHASE 277/480Y VAC 125 VDC	12	EHD	100	EXPB2-NFS-312-MB100	#14AWG - 1/0	EXB-18248 N34
	18	FD	225	EXPB2-NFS-318-MB225	#4AWG - 4/0	EXB-18368 N34
	24	FD	225	EXPB2-NFS-324-MB225	#4AWG - 4/0	EXB-24368 N34
	30	FD	225	EXPB2-NFS-330-MB225	#4AWG - 4/0	EXB-24368 N34
	36	FD	225	EXPB2-NFS-336-MB225	#4AWG - 4/0	EXB-24368 N34
	42	FD	225	EXPB2-NFS-342-MB225	#4AWG - 4/0	EXB-24368 N34



# EXPB2 SMALL POWER PANELBOARD

Suggested mounting  
1/2"-13 stainless steel  
bolt, flat washer and nut  
(typical).



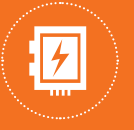
EXPB2FS-MB							
CIRCUITS	EXB	USF	OVERALL			MOUNTING	
			HEIGHT (H)	WIDTH (W)	DEPTH (D)	X	Y
12	EXB-18248	USF-18188	50.5 (1283)	23.19 (589)	14.66 (372)	13 (330)	48.75 (1238)
18	EXB-18248	USF-18188	50.5 (1283)	23.19 (589)	14.66 (372)	13 (330)	48.75 (1238)
24	EXB-18368	USF-18188	63 (1600)	23.19 (589)	15.15 (385)	13.25 (337)	61.75 (1568)
30	EXB-18368	USF-18188	63 (1600)	23.19 (589)	15.31 (389)	13.25 (337)	61.75 (1568)
36	EXB-18368	USF-18188	63 (1600)	23.19 (589)	15.31 (389)	13.25 (337)	61.75 (1568)
42	EXB-24368	USF-24248	68.53 (1741)	30.06 (764)	15.25 (387)	19.56 (497)	67 (1702)

EXPB2FS-MLO							
CIRCUITS	EXB	USF	OVERALL			MOUNTING	
			HEIGHT (H)	WIDTH (W)	DEPTH (D)	X	Y
12	EXB-18248	USF-18188	50.5 (1283)	23.19 (589)	13.84 (352)	13 (330)	48.75 (1238)
18	EXB-18248	USF-18188	50.5 (1283)	23.19 (589)	13.84 (352)	13 (330)	48.75 (1238)
24	EXB-18248	USF-18188	50.5 (1283)	23.19 (589)	13.84 (352)	13 (330)	48.75 (1238)
30	EXB-18368	USF-18188	63 (1600)	23.19 (589)	14.49 (368)	13.25 (337)	61.75 (1568)
36	EXB-18368	USF-18188	63 (1600)	23.19 (589)	14.49 (368)	13.25 (337)	61.75 (1568)
42	EXB-18368	USF-18188	63 (1600)	23.19 (589)	14.49 (368)	13.25 (337)	61.75 (1568)

EXPB2NFS-MB							
CIRCUITS	EXB SIZE	OVERALL			MOUNTING		
		HEIGHT (H)	WIDTH (W)	DEPTH (D)	X	Y	
12	EXB-18248	28.38 (721)	23.19 (589)	13.41 (341)	21 (533)	19 (483)	
18	EXB-18308	35.38 (889)	22.38 (568)	14.01 (356)	21.25 (540)	26.50 (673)	
24	EXB-18368	40.38 (1026)	23.19 (589)	14.06 (357)	21.25 (540)	31.5 (800)	
30	EXB-18368	40.38 (1026)	23.19 (589)	14.06 (357)	21.25 (540)	31.5 (800)	
36	EXB-24368	41.25 (1048)	30.06 (764)	14.01 (356)	27.56 (700)	31.56 (802)	
42	EXB-24368	41.25 (1048)	30.06 (764)	14.01 (356)	27.56 (700)	31.56 (802)	

# DISTRIBUTION EQUIPMENT

## EXPB2 SMALL POWER PANELBOARD

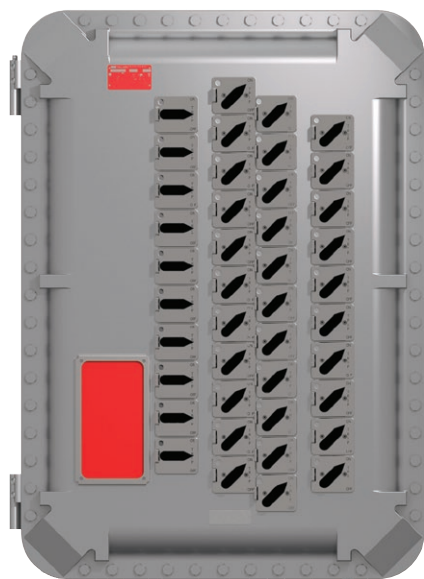


U.S. BRANCH CIRCUIT BREAKERS										
NUMBER OF POLES PER BREAKER	TRIP AMP RATING	GHB 277/480Y VAC 125 VDC 14KAIC @ 277VAC	HGHB 277 VAC 125 VDC 25KAIC @ 277 VAC	GHBGFEP 277 VAC 1P+N, 30MA EPD 14KAIC @ 277 VAC	NUMBER OF POLES PER BREAKER	TRIP AMP RATING	GHB 277/480Y VAC 125/259 VDC 14KAIC @ 480Y VAC	NUMBER OF POLES PER BREAKER	TRIP AMP RATING	GHB 277/480Y VAC 125/259 VDC 14KAIC @ 480Y VAC
(1) ONE POLE	SPARE (HANDLE ONLY)	FUT1000	FUT1000	FUTEPD1	(2) TWO POLE	SPARE (HANDLE ONLY)	FUT2000	(3) THREE POLE	SPARE (HANDLE ONLY)	FUT3000
	15	GHB1015	HGHB1015	GHBGFEP1015		15	GHB2015		15	GHB3015
	20	GHB1020	HGHB1020	GHBGFEP1020		20	GHB2020		20	GHB3020
	25	GHB1025	HGHB1025			25	GHB2025		25	GHB3025
	30	GHB1030	HGHB1030	GHBGFEP1030		30	GHB2030		30	GHB3030
	35	GHB1035				35	GHB2035		35	GHB3035
	40	GHB1040		GHBGFEP1040		40	GHB2040		40	GHB3040
	45	GHB1045				45	GHB2045		45	GHB3045
	50	GHB1050		GHBGFEP1050		50	GHB2050		50	GHB3050
	60	GHB1060		GHBGFEP1060		60	GHB2060		60	GHB3060
	70	GHB1070				70	GHB2070		70	GHB3070
	80	GHB1080				80	GHB2080		80	GHB3080
	90	GHB1090				90	GHB2090		90	GHB3090
100	GHB1100			100	GHB2100	100	GHB3100			

CANADA BRANCH CIRCUIT BREAKERS								
NUMBER OF POLES PER BREAKER	TRIP AMP RATING	GBH 347/600Y VAC 125 VDC 14KAIC @ 347/600Y VAC	NUMBER OF POLES PER BREAKER	TRIP AMP RATING	GBH 347/600Y VAC 125 VDC 14KAIC @ 347/600Y VAC	NUMBER OF POLES PER BREAKER	TRIP AMP RATING	GBH 347/600Y VAC 125 VDC 14KAIC @ 347/600Y VAC
(1) ONE POLE	SPARE (HANDLE ONLY)	FUT1000	(2) TWO POLE	SPARE (HANDLE ONLY)	FUT2000	(3) THREE POLE	SPARE (HANDLE ONLY)	FUT3000
	15	GBH1015		15	GBH2015		15	GBH3015
	20	GBH1020		20	GBH2020		20	GBH3020
	25	GBH1025		25	GBH2025		25	GBH3025
	30	GBH1030		30	GBH2030		30	GBH3030
	35	GBH1035		35	GBH2035		35	GBH3035
	40	GBH1040		40	GBH2040		40	GBH3040
	45	GBH1045		45	GBH2045		45	GBH3045
	50	GBH1050		50	GBH2050		50	GBH3050
	60	GBH1060		60	GBH2060		60	GBH3060
	70	GBH1070		70	GBH2070		70	GBH3070
	80	GBH1080		80	GBH2080		80	GBH3080
	90	GBH1090		90	GBH2090		90	GBH3090
100	GBH1100	100	GBH2100	100	GBH3100			



## EXPB3™



**EXPB**  
Panelboard

**NEC / CEC Certifications**

NEC / CEC Certifications

Class I, Groups B, C & D

Class I, Zone 1, AEx d IIB+H2

Class II, Groups E, F & G

Class III

Type 3, 4, 4X, 7 (B,C,D), 9 (E,F,G)

Ta = -60°C to +70°C (UL & CSA) T5 or T6

UL File E83969

CSA File LR11713

NOTE: Non-factory seal is available as QUAD labeled.

II 2 GD CE 0518

PTB 07 ATEX 1024 (Enclosure with Controls)

IEC Ex 07.0022U

Ex IEC Ex 07.0023

## FEATURES-SPECIFICATIONS

### Features

- All hardware is stainless steel, cover bolts are quick release Tri-Lead.
- All circuit breaker are pad lockable in the "ON" or "OFF" position for up to three padlocks (to allow ease of lock out - tag out capabilities).
- Operating Temperature of -0°C to +40°C
- Silver plated copper bus panelboard interiors are standard with dead front trim plate for safety.
- Available as non-factory sealed or factory sealed.
- Factory sealed has a stainless steel wiring chamber set up for bottom entry.
- Line and Load connections are pre-wired for ease of installation on factory sealed version.

### Materials

#### Breaker Enclosure

- Cast copper free aluminum (less than 1/10 of 1%). Finish aluminum wet lacquer paint.
- Main Breaker Handle: Copper-free aluminum.
- Flange Gasket "O" Ring: Bunna-N-Nitrile.
- Branch Breaker Operators: Valox Thermoplastic Polyester handle molded onto 316 stainless steel shaft with neoprene "O" ring.
- Hinges: Copper-free aluminum with stainless steel pin and hardware.
- Mounting Lugs: 1/4" thick aluminum.
- Consult factory for single and two pole spacing.

#### Wiring Enclosure

- Type 316 Stainless Steel, 14 Gauge. Killark USF style enclosure suitable for direct entry via hub or cable gland knockouts. Cable gland plates are available upon request.
- Quarter turn 316 stainless steel latch.

- Sloped cover opening to eliminate ice build-up.
- Concealed hinge.
- External/Internal earthing stud.
- Type 4X one piece gasket.
- Ground bus.
- Neutral bus, optional if required.

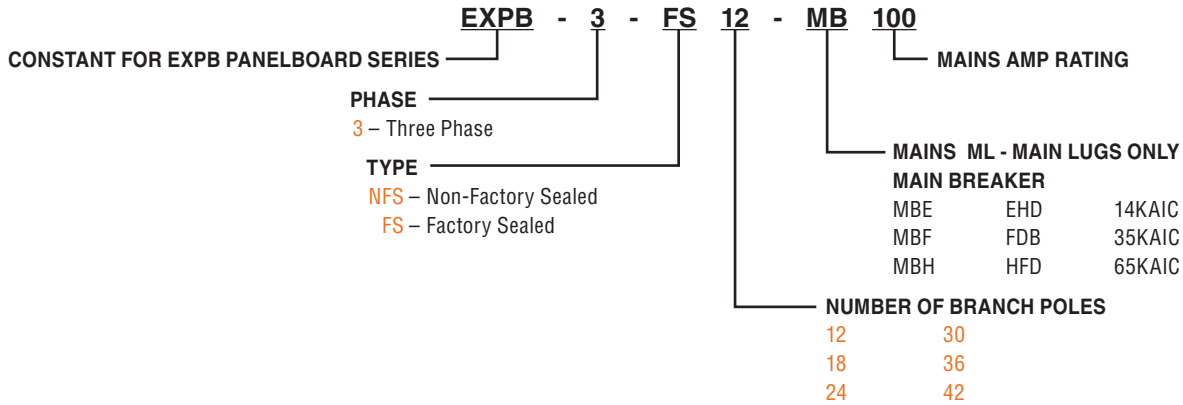
### Electrical Rating

- 480 VAC, 3 Phase, 3 or 4 Wire
- 600 VAC, 3 Phase, 3 or 4 Wire
- 50/60 Hz
- 14K, 35K or 65K AIC Optional

# DISTRIBUTION EQUIPMENT EXPB3 POWER PANELBOARD



## CATALOG LOGIC



## EXPB3 FACTORY SEALED POWER PANELBOARD

### MAIN LUG ONLY

ELECTRICAL RATING	NUMBER OF BRANCH POLES	MAIN LUG RATING AMPS	CATALOG NUMBER BASIC ENCLOSURE	MAIN WIRE RANGE	ENCLOSURE EXB	ENCLOSURE TERMINAL BOX
THREE PHASE 4 WIRE WITH SOLID NEUTRAL 480 VAC 250 VDC	12	100	<b>EXPB3-FS-312-ML100</b>	#14AWG-2/0	EXB-18368 N34	USF181808
	18	225	<b>EXPB3-FS-318-ML225</b>	#6AWG-350MCM	EXB-18368 N34	USF181808
	24	225	<b>EXPB3-FS-324-ML225</b>	#6AWG-350MCM	EXB-18368 N34	USF242408
	30	225	<b>EXPB3-FS-330-ML225</b>	#6AWG-350MCM	EXB-24368 N34	USF242408
	36	225	<b>EXPB3-FS-336-ML225</b>	#6AWG-350MCM	EXB-24368 N34	USF242408
	42	225	<b>EXPB3-FS-342-ML225</b>	#6AWG-400MCM	EXB-24368 N34	USF242408

### MAIN CIRCUIT BREAKER (MCCB)

ELECTRICAL RATING	NUMBER OF BRANCH POLES	MAIN CIRCUIT BREAKER		CATALOG NUMBER BASIC ENCLOSURE	INCOMING MAIN WIRE RANGE	ENCLOSURE EXB	ENCLOSURE TERMINAL BOX
		FRAME	AMPS				
THREE PHASE 4 WIRE WITH SOLID NEUTRAL 480 VAC 250 VDC	12	EHD	100	<b>EXPB3-FS-312-MB100</b>	#14AWG - 1/0	EXB-18368 N34	USF181808
	18	FD	225	<b>EXPB3-FS-318-MB225</b>	#4AWG - 4/0	EXB-18368 N34	USF 181808
	24	FD	225	<b>EXPB3-FS-324-MB225</b>	#4AWG - 4/0	EXB-24368 N34	USF181808
	30	FD	225	<b>EXPB3-FS-330-MB225</b>	#4AWG - 4/0	EXB-24368 N34	USF242408
	36	FD	225	<b>EXPB3-FS-336-MB225</b>	#4AWG - 4/0	EXB-24368 N34	USF242408
	42	FD	225	<b>EXPB3-FS-342-MB225</b>	#4AWG - 4/0	EXB-24368 N34	USF242408



# EXPB3 POWER PANELBOARD

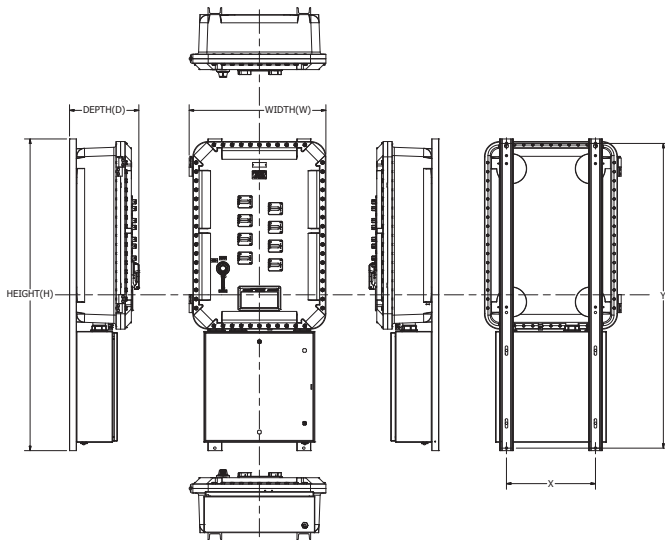
## EXPB3 NON-FACTORY SEALED POWER PANELBOARD

### MAIN LUG ONLY

ELECTRICAL RATING	NUMBER OF BRANCH POLES	MAIN LUG RATING AMPS	CATALOG NUMBER BASIC ENCLOSURE	MAIN WIRE RANGE	ENCLOSURE EXB
THREE PHASE 4 WIRE WITH SOLID NEUTRAL 480 VAC 250 VDC	12	100	EXPB3-NFS-312-ML100	#14AWG-2/0	EXB-18368 N34
	18	225	EXPB3-NFS-318-ML225	#6AWG-350MCM	EXB-18368 N34
	24	225	EXPB3-NFS-324-ML225	#6AWG-350MCM	EXB-18368 N34
	30	225	EXPB3-NFS-330-ML225	#6AWG-350MCM	EXB-24368 N34
	36	225	EXPB3-NFS-336-ML225	#6AWG-350MCM	EXB-24368 N34
	42	225	EXPB3-NFS-342-ML225	#6AWG-400MCM	EXB-24368 N34

### MAIN CIRCUIT BREAKER (MCCB)

ELECTRICAL RATING	NUMBER OF BRANCH POLES	MAIN CIRCUIT BREAKER		CATALOG NUMBER BASIC ENCLOSURE	INCOMING MAIN WIRE RANGE	ENCLOSURE EXB
		FRAME	AMPS			
THREE PHASE 4 WIRE WITH SOLID NEUTRAL 480 VAC 250 VDC	12	EHD	100	EXPB3-NFS-312-MB100	#14AWG - 1/0	EXB-18368 N34
	18	FD	225	EXPB3-NFS-318-MB225	#4AWG - 4/0	EXB-18368 N34
	24	FD	225	EXPB3-NFS-324-MB225	#4AWG - 4/0	EXB-24368 N34
	30	FD	225	EXPB3-NFS-330-MB225	#4AWG - 4/0	EXB-24368 N34
	36	FD	225	EXPB3-NFS-336-MB225	#4AWG - 4/0	EXB-24368 N34
	42	FD	225	EXPB3-NFS-342-MB225	#4AWG - 4/0	EXB-24368 N34

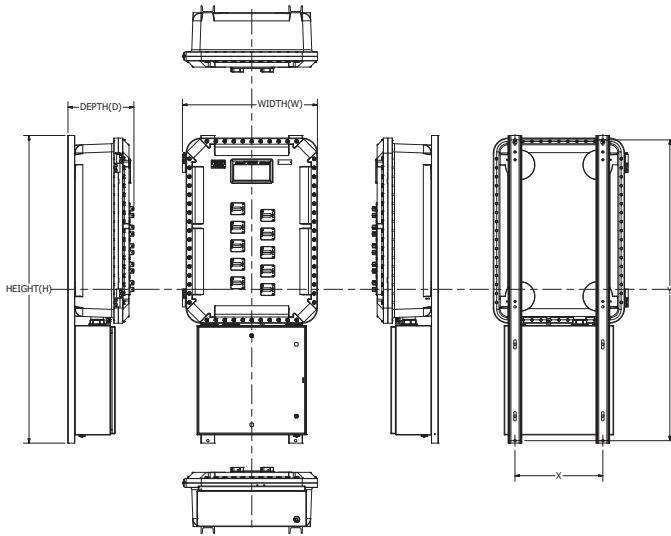
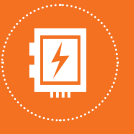


### EXPB3FS-MB

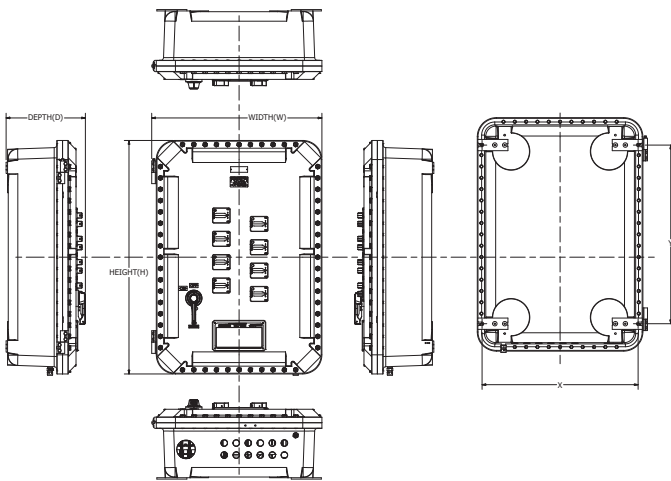
CIRCUITS	EXB	USF	OVERALL			MOUNTING	
			HEIGHT (H)	WIDTH (W)	DEPTH (D)	X	Y
12	EXB-18368	USF-18188	63 (1600)	23.19 (589)	15.31 (389)	13.25 (337)	61.75 (1568)
18	EXB-18368	USF-18188	63 (1600)	23.19 (589)	15.29 (388)	13.25 (337)	61.75 (1568)
24	EXB-24368	USF-24248	68.53 (1741)	30.06 (764)	15.25 (387)	19.56 (497)	67 (1702)
30	EXB-24368	USF-24248	68.53 (1741)	30.06 (764)	15.25 (387)	19.56 (497)	67 (1702)
36	EXB-24368	USF-24248	68.53 (1741)	30.06 (764)	15.25 (387)	19.56 (497)	67 (1702)
42	EXB-24368	USF-24248	68.53 (1741)	30.06 (764)	15.25 (387)	19.56 (497)	67 (1702)

# DISTRIBUTION EQUIPMENT

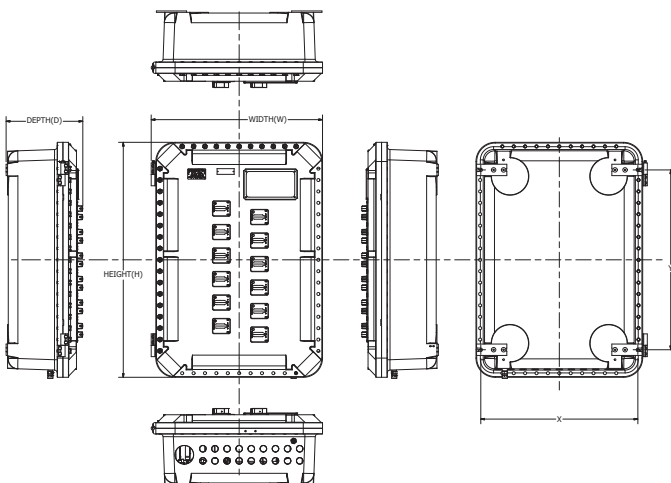
## EXPB3 POWER PANELBOARD



EXPB3FS-ML							
CIRCUITS	EXB	USF	OVERALL			MOUNTING	
			HEIGHT (H)	WIDTH (W)	DEPTH (D)	X	Y
12	EXB-18368	USF-18188	63 (1600)	23.19 (589)	14.76 (375)	13.25 (337)	61.75 (1568)
18	EXB-18368	USF-18188	63 (1600)	23.19 (589)	14.76 (375)	13.25 (337)	61.75 (1568)
24	EXB-18368	USF-24248	68.53 (1741)	24.38 (619)	14.76 (375)	13.25 (337)	67 (1702)
30	EXB-24368	USF-24248	68.53 (1741)	30.06 (764)	14.70 (373)	19.56 (497)	67 (1702)
36	EXB-24368	USF-24248	68.53 (1741)	30.06 (764)	14.70 (373)	19.56 (497)	67 (1702)
42	EXB-24368	USF-24248	68.53 (1741)	30.06 (764)	14.70 (373)	19.56 (497)	67 (1702)



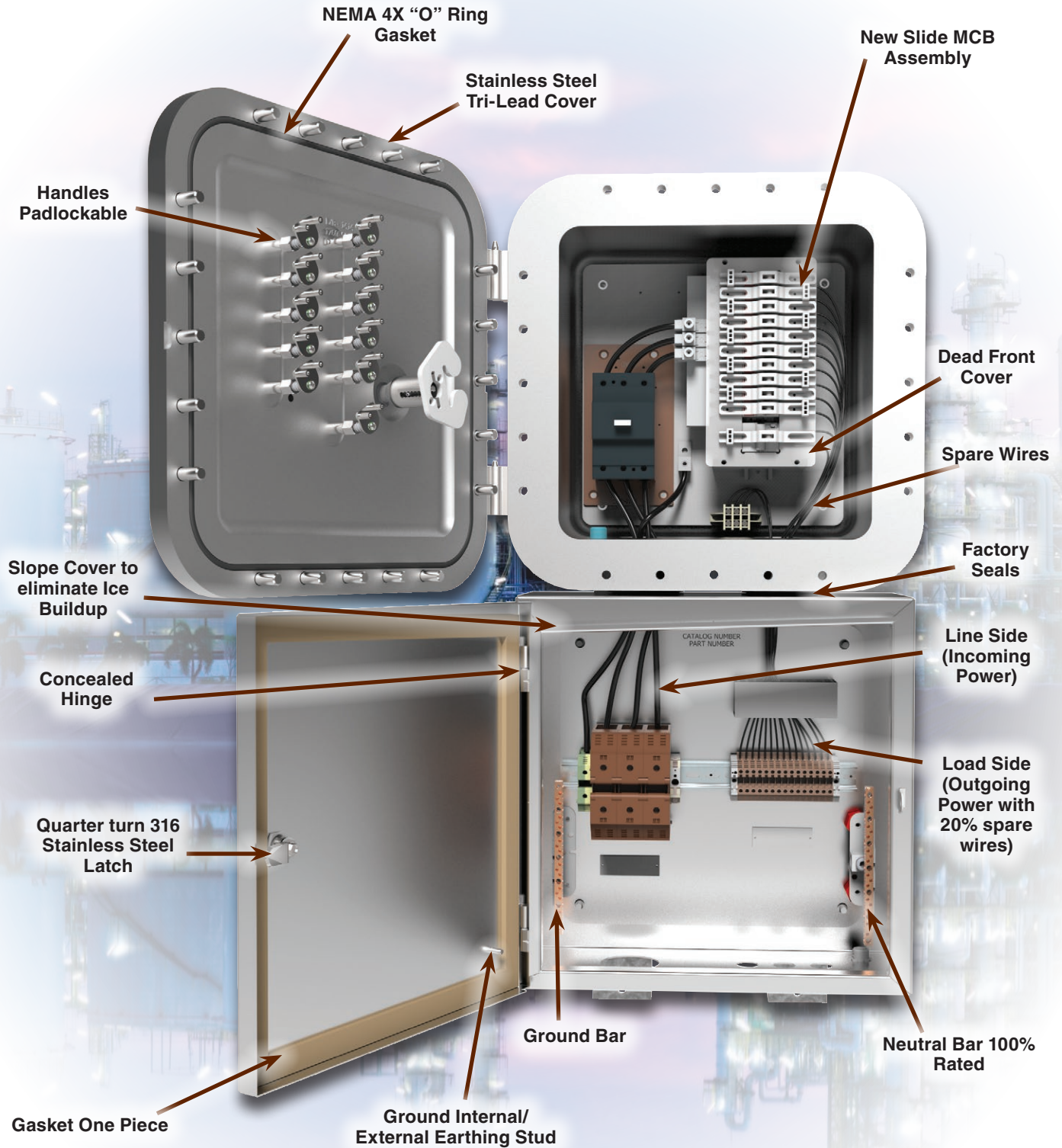
EXPB3NFS-MB						
CIRCUITS	EXB	OVERALL			MOUNTING	
		HEIGHT (H)	WIDTH (W)	DEPTH (D)	X	Y
12	EXB-18368	40.38 (1026)	23.19 (589)	14.06 (357)	21.25 (540)	31.50 (800)
18	EXB-18368	40.38 (1026)	23.19 (589)	14.06 (357)	21.25 (540)	31.50 (800)
24	EXB-24368	41.25 (1048)	30.06 (764)	14.00 (356)	27.56 (696)	31.56 (801)
30	EXB-24368	41.25 (1048)	30.06 (764)	14.00 (356)	27.56 (696)	31.56 (801)
36	EXB-24368	41.25 (1048)	30.06 (764)	14.00 (356)	27.56 (696)	31.56 (801)
42	EXB-24368	41.25 (1048)	30.06 (764)	14.00 (356)	27.56 (696)	31.56 (801)



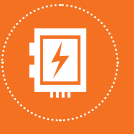
EXPB3NFS-ML						
CIRCUITS	EXB	OVERALL			MOUNTING	
		HEIGHT (H)	WIDTH (W)	DEPTH (D)	X	Y
12	EXB-18368	40.38 (1026)	23.19 (589)	13.51 (343)	21.25 (540)	31.50 (800)
18	EXB-18368	40.38 (1026)	23.19 (589)	13.51 (343)	21.25 (540)	31.50 (800)
24	EXB-18368	40.38 (1026)	23.19 (589)	13.51 (343)	21.25 (540)	31.50 (800)
30	EXB-24368	41.25 (1048)	30.06 (764)	13.45 (342)	27.56 (696)	31.56 (801)
36	EXB-24368	41.25 (1048)	30.06 (764)	13.45 (342)	27.56 (696)	31.56 (801)
42	EXB-24368	41.25 (1048)	30.06 (764)	13.45 (342)	27.56 (696)	31.56 (801)



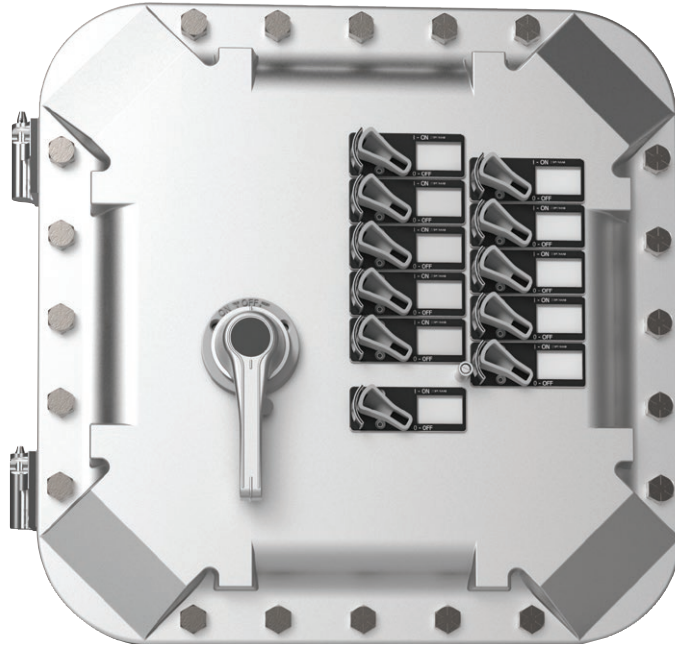
DISTRIBUTION EQUIPMENT  
**EXBLI/EXBSPI SERIES**







## IEC/NEC CIRCUIT BREAKER PANELBOARDS



### ATEX Certified

**Class I, Div. 1 & 2, Groups B<sup>0</sup>, C, D**  
**Class I, Zones 1 & 2,**  
**Groups IIB+H2, IIA**  
**Class II, Div. 1 & 2, Groups E, F, G**  
**Class III, Div. 1 & 2**  
**Type 4, 4X, 7(B, C, D), 9(E, F, G)**  
**CENELEC/ATEX/IEC - Ex**  
**Ex d IIB + H2 T5 or T6**  
**Ex tD A21 IP66**  
**Ta < +70°C**

Indoor/Outdoor



#UL1203 – Explosion Proof and Dust Ignition Proof Electrical Equipment. Files #E83969 & E12379



#C22.2 No. 30 – Explosion Proof Enclosure for use in Class I Hazardous Locations. File #LR11716



II 2 GD  
PTB 07 ATEX 1025U (Empty Housing)  
PTB 07 ATEX 1024x (Enclosures w/Controls)  
IEC Ex 07.0022U  
IEC Ex 07.0023

## FEATURES-SPECIFICATIONS

### Features

The IEC (UL1077) panel offers both single and three phase applications with or without switched neutrals. Branch MCB's in single, two, three and four pole, RCBO's for earth leakage detection are available in 30, 100 or 300mA Sensitivity.

The NEC (UL489) panel offer single and three phase applications, branch MCB's in single, two, three and four pole. This type can also offer a factory sealed arrangement using our USF 316L stainless steel wiring chamber with or without removable gland plates. All incoming "Line" and outgoing "Load" connections are made in the wiring chamber; this eliminates the need for seal fittings for Division 2 areas.

- All hardware is stainless steel, cover bolts are quick release Tri-Lead.
- All circuit breakers are pad lockable in the "ON" or "OFF" positions for up to three padlocks (to allow ease of lock out – tag out capabilities).
- Insulated copper bus bars mount on our Din Rail mounted branch breakers and the cover of the explosion proof enclosure is pre-drilled for future expansion or changing breakers in the field.

- Solid neutral (tin plated) standard for single and three phase.
- ABB circuit breakers have a wide temperature range from -20 to +70°C.
- Aluminum lacquer paint finish is standard

### Materials

- Breaker enclosure: Cast copper free aluminum (less than ¼ of 1 %), Cover Bolts: Type 316 stainless steel quick turn (Tri-Lead), finish Aluminum Lacquer Paint.

SUFFIX NUMBER	DESCRIPTION
SU-3B-4X	Drain & Breather installed, NEMA 4X/7 BCD
SU-10B-4X	Drain installed, NEMA 4X/7 BCD
SU-11B-4X	Breather installed NEMA 4X/7 BCD
SU-3ATEX	Drain & Breather installed ATEX Group B
EB	Eyebolt, Qty of 2
TP	Toe Plate (recommended for larger panels)
GS150	150 Amp Ground Strap
SU1	Stainless steel external hardware NEMA 4X
SU9PEEEX	Grey powder polyester outer surface
SU9PEIO	Grey powder polyester in & out surface
SU9PESEX	Specify color outer surface (RAL number)
SU14	Fungus proofing inner surface
SU93	Do not paint

### Electrical Rating

#### EXBLI

- Single Phase – 120/240 VAC, 3 Wire, 60hz
- Three Phase – 120/208 VAC, 4 Wire, 60Hz

#### EXBSPI

- Single Phase – 277 VAC, 3 Wire, 60hz
- Three Phase – 277/480Y VAC, 4 Wire, 60Hz

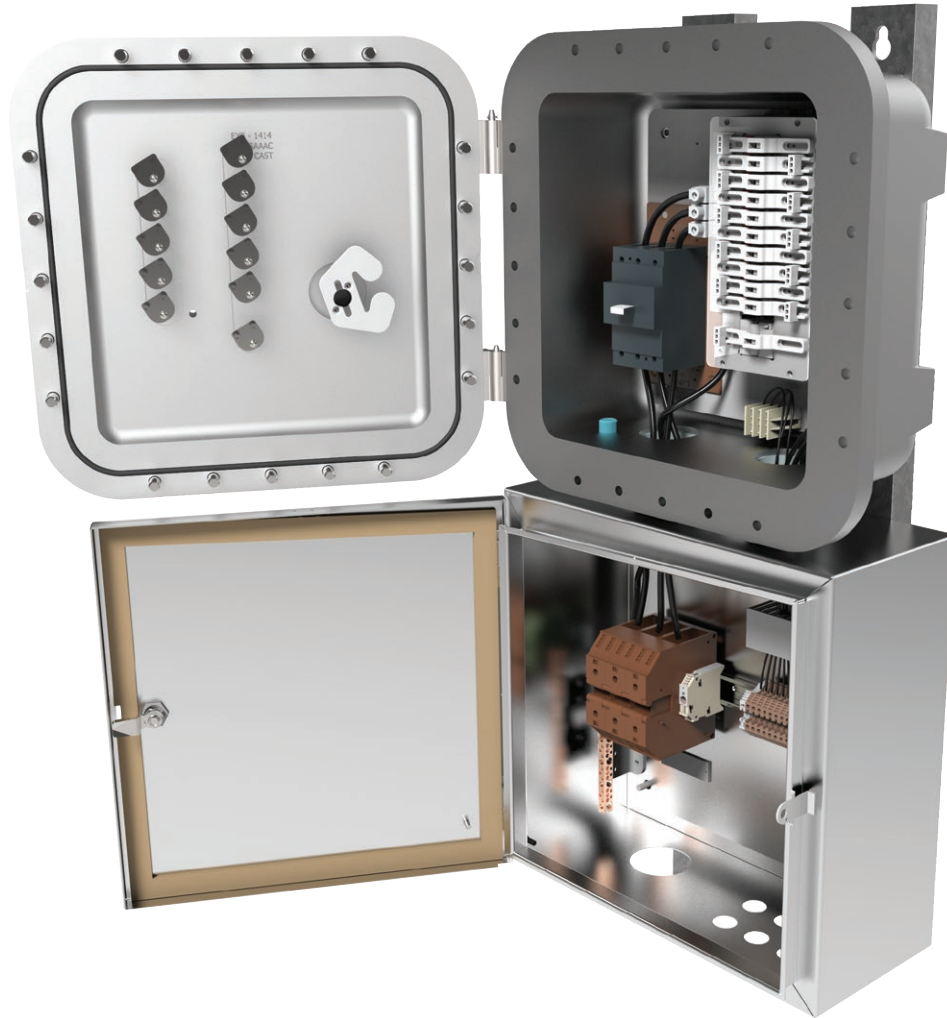
### Panel Selection Factors

- Basic information required when specifying panelboards is as follows:
- Service Requirements – Voltage, phases and frequency
- Interrupting capacity
- Amperage Rating of Main (Lugs only or Breaker)
- Branch Breaker Requirements
  - » Type
  - » Number
  - » Poles
  - » Amperage
  - » RDC Requirements



DISTRIBUTION EQUIPMENT  
**EXBLI/EXBSPI SERIES**

EXBLI LIGHTING PANELBOARD



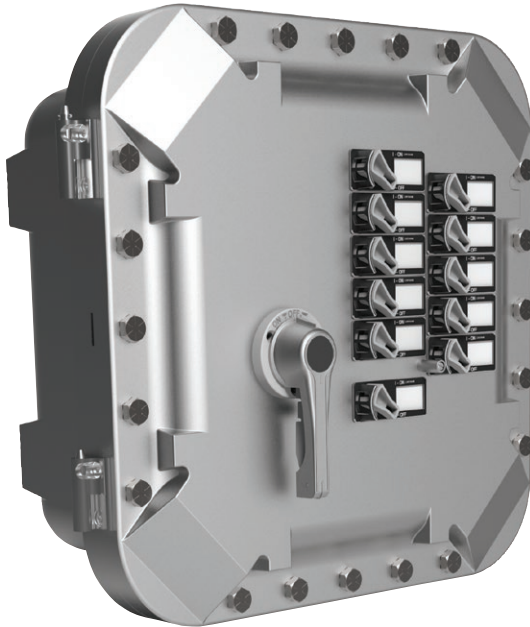
**OPTIONAL**  
 NEC (UL 489) Factory  
 Sealed Panelboard

**EXBLI LIGHTING PANELBOARD**

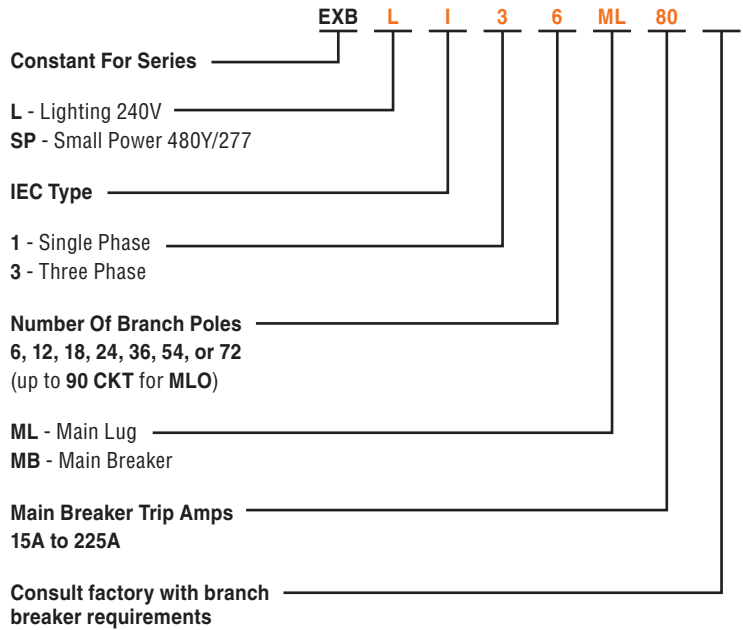
MAIN LUG ONLY					MAIN CIRCUIT BREAKER				
ELECTRICAL RATING	NUMBER OF BRANCH POLE	MAIN LUG RATING AMP	CATALOG NUMBER BASIC NUMBER	PANEL SIZE	ELECTRICAL RATING	NUMBER OF BRANCH POLE	MAIN LUG RATING AMP	CATALOG NUMBER BASIC NUMBER	PANEL SIZE
Single Phase 3 Wire with Solid Neutral 120/240VAC	6	80	EXBLI-16ML80	H	Single Phase 3 Wire with Solid Neutral 120/240VAC	6	80	EXBLI-16MB*	A
	12	130	EXBLI-112ML130	I		12	130	EXBLI-112MB*	B
	18	130	EXBLI-118ML130	J		18	130	EXBLI-118MB*	C
	24	260	EXBLI-124ML260	K		24	260	EXBLI-124MB*	D
	36	260	EXBLI-136ML260	L		36	260	EXBLI-136MB*	E
	54	260	EXBLI-154ML260	M		54	260	EXBLI-154MB*	F
	90	260	EXBLI-172ML260	N		72	260	EXBLI-172MB*	G
Three Phase 4 Wire with Solid Neutral 120/208VAC	6	80	EXBLI-36ML80	H	Three Phase 4 Wire with Solid Neutral 120/208VAC	6	80	EXBLI-36MB*	A
	12	130	EXBLI-312ML130	I		12	130	EXBLI-312MB*	B
	18	130	EXBLI-318ML130	J		18	130	EXBLI-318MB*	C
	24	260	EXBLI-324ML260	K		24	260	EXBLI-324MB*	D
	36	260	EXBLI-336ML260	L		36	260	EXBLI-336MB*	E
	54	260	EXBLI-354ML260	M		54	260	EXBLI-354MB*	F
	90	260	EXBLI-372ML260	N		72	260	EXBLI-372MB*	G



## EXBSPI LIGHTING PANELBOARD



### CATALOG LOGIC – FOR BASIC IEC PANELBOARD ENCLOSURES



### EXBSPI LIGHTING PANELBOARD

MAIN LUG ONLY					MAIN CIRCUIT BREAKER				
ELECTRICAL RATING	NUMBER OF BRANCH POLE	MAIN LUG RATING AMP	CATALOG NUMBER BASIC NUMBER	PANEL SIZE	ELECTRICAL RATING	NUMBER OF BRANCH POLE	MAIN LUG RATING AMP	CATALOG NUMBER BASIC NUMBER	PANEL SIZE
Single Phase 3 Wire with Solid Neutral 277VAC	6	80	EXBSPI-16ML80	H	Single Phase 3 Wire with Solid Neutral 277VAC	6	80	EXBSPI-16MB*	A
	12	130	EXBSPI-112ML130	I		12	130	EXBSPI-112MB*	B
	18	130	EXBSPI-118ML130	J		18	130	EXBSPI-118MB*	C
	24	260	EXBSPI-124ML260	K		24	260	EXBSPI-124MB*	D
	36	260	EXBSPI-136ML260	L		36	260	EXBSPI-136MB*	E
	54	260	EXBSPI-154ML260	M		54	260	EXBSPI-154MB*	F
Three Phase 4 Wire with Solid Neutral 277/480YVAC	90	260	EXBSPI-172ML260	N	72	260	EXBSPI-172MB*	G	
	6	80	EXBSPI-36ML80	H	Three Phase 4 Wire with Solid Neutral 277/480YVAC	6	80	EXBSPI-36MB*	A
	12	130	EXBSPI-312ML130	I		12	130	EXBSPI-312MB*	B
	18	130	EXBSPI-318ML130	J		18	130	EXBSPI-318MB*	C
	24	260	EXBSPI-324ML260	K		24	260	EXBSPI-324MB*	D
	36	260	EXBSPI-336ML260	L		36	260	EXBSPI-336MB*	E
54	260	EXBSPI-354ML260	M	54		260	EXBSPI-354MB*	F	
90	260	EXBSPI-372ML260	N	72	260	EXBSPI-372MB*	G		



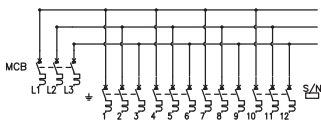
# DISTRIBUTION EQUIPMENT EXBLI/EXBSPI SERIES

## BREAKER RATINGS

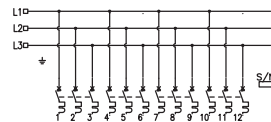
EXBLI & EXBSPI CIRCUIT BREAKER RATINGS, ABB IEC (UL1077), MCB								
TYPE	POLE	VOLTS VAC	AMPERES SYMMETRICAL	TYPE RCBO	POLE	VOLTS VAC	AMPERES SYMMETRICAL	SENSITIVITY
S200C	1	277	6,000 AIC	DS201	1+N	230	10,000 AIC	30, 100, 300mA
	2	277/480Y	6,000 AIC	DS202	2	230	10,000 AIC	30, 300mA
	3	277/480Y	6,000 AIC					
	4	277/480Y	6,000 AIC					
S200D	1	277	6,000 AIC					
	2	277/480Y	6,000 AIC					
	3	277/480Y	6,000 AIC					
	4	277/480Y	6,000 AIC					
S200M	1	277	10,000 AIC					
	2	277/480Y	10,000 AIC					
	3	277/480Y	10,000 AIC					
	4	277/480Y	10,000 AIC					

NEC (UL489), MCB, NOT RATED FOR SWITCHED NEUTRAL			
TYPE	POLE	VOLTS VAC	AMPERES SYMMETRICAL
SU200MC	1	240	10,000 AIC
	2	277/480Y	10,000 AIC
	3	277/480Y	10,000 AIC
	4	277/480Y	10,000 AIC
S200U-K	1	240	10,000 AIC
	2	240	10,000 AIC
	3	240	10,000 AIC
	4	240	10,000 AIC
S200UP-K	1	277	10,000 AIC
	2	277/480Y	10,000 AIC
	3	277/480Y	10,000 AIC
	4	277/480Y	10,000 AIC

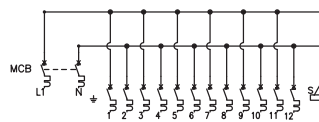
MAIN CIRCUIT BREAKER				
TYPE	POLE	VOLTS VAC	AMPERES SYMMETRICAL	AMP TRIP
Tmax XT1	3	347/600Y	25, 35, 65,000 AIC	15 - 125
	4	347/600Y	25, 35, 65,000 AIC	15 - 125
Tmax XT2	3	600	25, 35, 65,000 AIC	15 - 125
	4	600	25, 35, 65,000 AIC	15 - 125
Tmax XT3	3	347/600Y	25, 35, 65,000 AIC	60 - 225
	4	347/600Y	25, 35, 65,000 AIC	60 - 225
Tmax XT4	3	600	25, 35, 65,000 AIC	25 - 250
	4	600	25, 35, 65,000 AIC	25 - 250



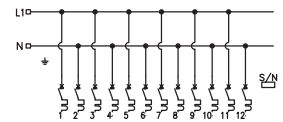
**Three Phase  
Main Circuit Breaker**



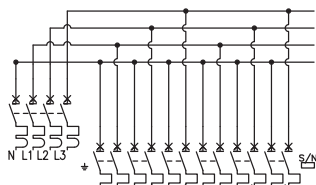
**Three Phase  
Main Lug Only**



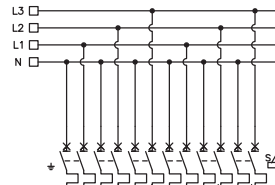
**Single Phase  
Main Circuit Breaker**



**Single Phase  
Main Lug Only**



**Three Phase w/  
Switched Neutral  
4 Pole Main Circuit Breaker**



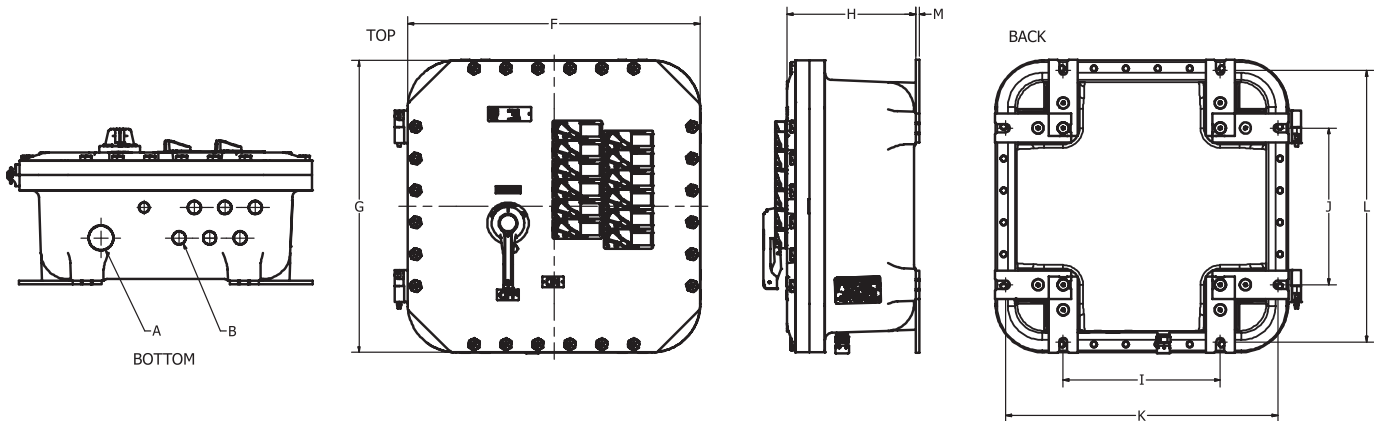
**Three Phase w/  
Switched Neutral  
Main Lug Only**



IEC CIRCUIT BREAKER PANELBOARDS

EXB DIMENSIONS MAIN BREAKER														
CATALOG NUMBER	# OF CIRCUITS W/ MAIN BREAKER	STD CONDUITS AT BOTTOM (NPT)				EXTERNAL DIMENSION (NI)			MOUNTING DIMENSIONS (INCHES)					LBS (KG)
		A	B	QTY B	QTY B RH SIDE	F WIDE	G HIGH	H DEEP	I	J	K	L	M	
EXB-10146 N34	6	1-1/2"	3/4"	3	—	15.25 (387.35)	19.25 (488.95)	8.90 (226.06)	4.94 (125.98)	8.94 (227.08)	12.94 (328.68)	16.94 (438.28)	0.25 (6)	119 (53.98)
EXB-16166 N34	12	1-1/2"	3/4"	6	—	20.38 (517.65)	20.38 (517.65)	9.19 (233.43)	10.94 (277.88)	10.94 (277.88)	18.94 (481.08)	18.94 (481.08)	0.25 (6)	195 (88.45)
EXB-12246 N34	18	1-1/2"	3/4"	9	—	16.38 (416.05)	28.38 (720.85)	9.32 (236.73)	6.94 (176.28)	18.88 (479.55)	14.94 (379.43)	26.88 (682.75)	0.25 (6)	196 (88.45)
EXB-16248 N34	24	1-1/2"	3/4"	12	—	21.25 (539.75)	29.25 (742.95)	12.00 (304.80)	11.38 (289.05)	19.38 (492.25)	19.38 (492.25)	27.38 (695.45)	0.25 (6)	220 (99.79)
EXB-18368 N34	36	1-1/2"	3/4"	18	—	22.38 (568.45)	40.38 (1025.65)	12.38 (314.45)	13.25 (336.55)	31.50 (800.10)	21.25 (539.75)	39.50 (1003.30)	0.25 (6)	410 (185.97)
EXB-24368 N34	54	2-1/2"	3/4"	20	7	29.25 (743)	41.25 (1048)	12.4 (315)	19.56 (497)	31.56 (802)	27.56 (700)	39.56 (1005)	0.25 (6)	560 (254.01)
EXB-24368 N34	72	2-1/2"	3/4"	30	6	29.25 (743)	41.25 (1048)	12.4 (315)	19.56 (497)	31.56 (802)	27.56 (700)	39.56 (1005)	0.25 (6)	560 (254.01)

EXB DIMENSIONS MAIN LUG ONLY														
CATALOG NUMBER	# OF CIRCUITS MAIN LUG ONLY	STD CONDUITS AT BOTTOM (NPT)				EXTERNAL DIMENSION (NI)			MOUNTING DIMENSIONS (INCHES)					LBS (KG)
		A	B	QTY B	QTY B RH SIDE	F WIDE	G HIGH	H DEEP	I	J	K	L	M	
EXB-8126 N34	6	1-1/2"	3/4"	3	—	13.25 (336.55)	17.25 (438.15)	8.70 (220.98)	3.82 (97.03)	7.82 (198.63)	10.38 (263.65)	14.38 (365.25)	0.25 (6)	160 (72.57)
EXB-12186 N34	12	1-1/2"	3/4"	6	—	16.38 (416.05)	22.38 (568.45)	9.06 (230.12)	6.94 (176.28)	12.88 (327.15)	14.94 (379.43)	20.88 (530.35)	0.25 (6)	195 (88.45)
EXB-12186 N34	18	1-1/2"	3/4"	9	—	16.38 (416)	22.38 (568)	9.06 (230)	6.94 (176)	12.88 (327)	14.94 (379)	20.88 (530)	0.25 (6)	195 (88.45)
EXB-16248 N34	24	1-1/2"	3/4"	12	—	21.25 (539.75)	29.25 (742.95)	12.00 (304.80)	11.38 (289.05)	19.38 (492.25)	19.38 (492.25)	27.38 (695.45)	0.25 (6)	270 (122.46)
EXB-18248 N34	36	1-1/2"	3/4"	16	2	22.38 (568.45)	28.38 (720.85)	11.75 (298.45)	13.00 (330.70)	19.50 (492.60)	21.00 (533.40)	27.00 (685.80)	0.25 (6)	290 (131.54)
EXB-24368 N34	54	2-1/2"	3/4"	18	7	29.25 (743)	41.25 (1048)	12.4 (315)	19.56 (497)	31.56 (802)	27.56 (700)	39.56 (1005)	0.25 (6)	560 (254.01)
EXB-24368 N34	72	2-1/2"	3/4"	18	18	29.25 (743)	41.25 (1048)	12.4 (315)	19.56 (497)	31.56 (802)	27.56 (700)	39.56 (1005)	0.25 (6)	560 (254.01)
EXB-24368 N34	90	2-1/2"	3/4"	18	18	29.25 (743)	41.25 (1048)	12.4 (315)	19.56 (497)	31.56 (802)	27.56 (700)	39.56 (1005)	0.25 (6)	560 (254.01)





## GROUND FAULT CONTROL STATION (FACTORY SEALED)



**Class I, Div. 1 & 2, Groups B, C, D**  
**Class I, Zones 1 & 2, Groups IIB+H2, IIA**  
**Class II, Div. 1 & 2, Groups E, F, G**  
**Class III, Div. 1 & 2**  
**TYPE 3, 7 (B, C, D) 9 (E, F, G)**

Indoor/Outdoor



Listed - File E83969



Certified - File LR061895-2

## FEATURES-SPECIFICATIONS

### Features

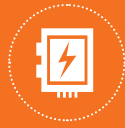
- Factory Sealed Ground Fault Chamber. (Assemblies in Group B areas must be sealed within 6" of enclosure. Other area classifications do not require the use of seals)
- 1" NPT top and bottom conduit openings
- External Push-to-Test Button and Pilot Light for monitoring
- On-Off-Trip-Reset External Handle can be locked in On-Off positions
- 5ma Ground Fault Circuit Breaker for People Protection. 30ma Ground Fault circuit Breaker for Equipment Protection and heat tracing circuits
- Electrical Rating-120 VAC (single pole)  
120/240 VAC (two pole) (10,000 AIC)

### Materials

- Enclosure: Copper-free cast aluminum (less than 1/10 of 1%)
- External Hardware: Stainless Steel
- Standard Finish: Electrostatically applied gray powder epoxy polyester finish

### Electrical Ratings

- 240VAC, 50/60Hz

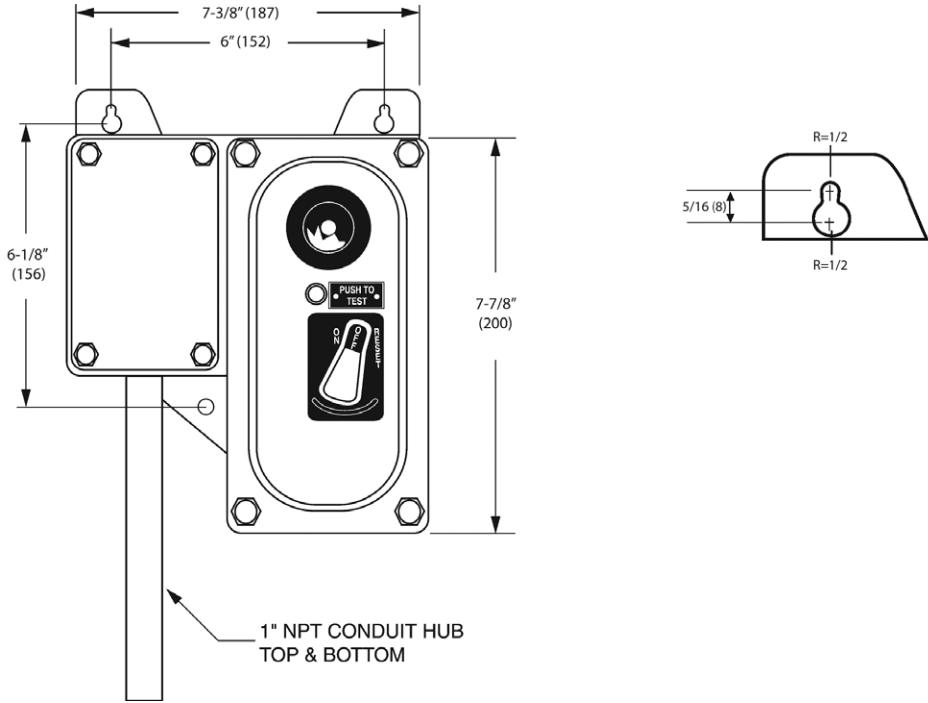


GROUND FAULT CONTROL STATION (FACTORY SEALED)

GFCS GROUND FAULT CONTROL STATION					
CATALOG NUMBER	NUMBER OF POLES	MILLIAMP TRIP	BREAKER AMPERAGE	LBS	KG
GFCS05151	1	5	15	13	5.89
GFCS05201	1	5	20	13	5.89
GFCS05301	1	5	30	13	5.89
GFCS30151	1	30	15	13	5.89
GFCS30201	1	30	20	13	5.89
GFCS30301	1	30	30	13	5.89
GFCS05152	2Ⓣ	5	15	13	5.89
GFCS05202	2Ⓣ	5	20	13	5.89
GFCS05302	2Ⓣ	5	30	13	5.89
GFCS30152	2Ⓣ	30	15	13	5.89
GFCS30202	2Ⓣ	30	20	13	5.89
GFCS30302	2Ⓣ	30	30	13	5.89

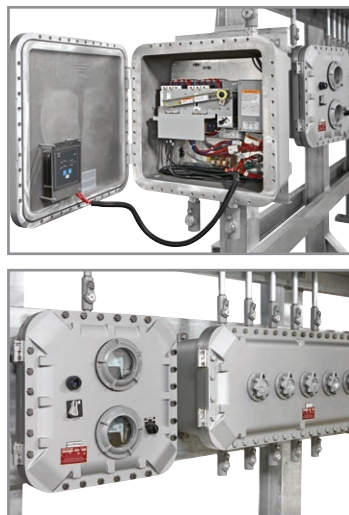
Ⓣ 2P Units are for 120/240V or 120/208Y Grounded Power Supply Systems ONLY.  
 Do NOT use with Delta supply systems

**DIMENSIONS**





## DISTRIBUTION EQUIPMENT CUSTOM SOLUTIONS



Class I, Div. 1 & 2, Groups B, C, D  
Class I, Zones 1 & 2, Groups IIB+H2, IIA  
Class II, Div. 1 & 2, Groups E, F, G  
Class III, Div. 1 & 2  
TYPE 3, 4X, 7 (B, C, D) 9 (E, F, G)

Indoor/Outdoor

### Compliances

- All wiring is in accordance with current NEC requirements
- Each enclosure carries at minimum one of the following



## FEATURES-SPECIFICATIONS

### Features

- NEMA 3, 4X (optional) rated for protection from hose directed water and corrosion
- Completely assembled and wired for customer connections to load side of starters and breakers
- Single sided or double sided assemblies per customer specification
- Killark components supplied include series EXB, B7C, B70, D2L, B7L, GR, HKB, D2P, B7P, EZ, VM, EM, ENY, EYS and others

### Materials

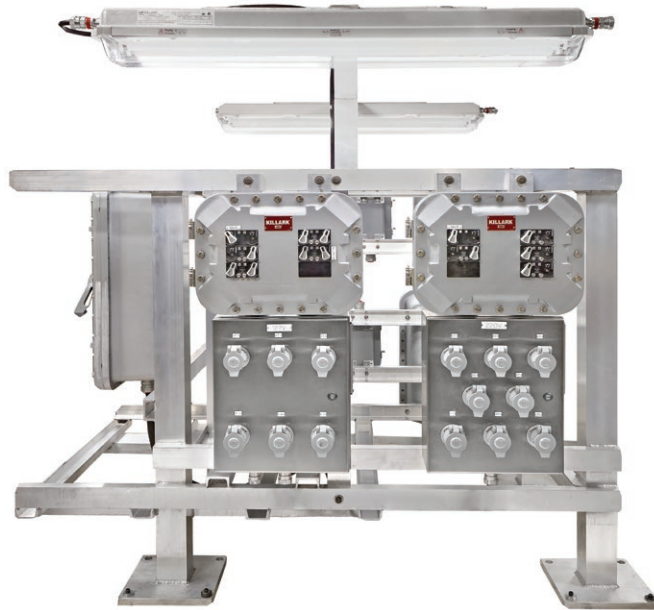
- Enclosures: Copper-free aluminum (less than 1/10 of 1%)
- Bus Enclosure (when supplied) is painted steel or stainless steel
- Frame: Steel (Hot Dipped Galvanized) or Aluminum. All welded construction
- Bus Bars: Copper, bare or insulated

### Optional Components

- Circuit breakers
- Automatic Transfer Switch
- Motor Starters
- Contractors
- Junction Boxes
- Control Stations
- Meter/Instrument Enclosures
- Ground Detection
- Panelboards
- Welding and Convenience Receptacles
- Photo Cells
- Light Fixtures
- Transformers
- Space Heaters



DISTRIBUTION EQUIPMENT  
**SWITCHRACK ASSEMBLIES**



**Self Sufficient Power Supply**

Provides a mix of 120/240V and 480VAC receptacles and includes panel boards and one main shut off. May be supplied with trailer as mobile unit or used at a permanent location.

**Ordering Information**

- Supply one line diagram or bill of material and Killark will do the rest. Assembly drawing and wiring diagram will be supplied for customer approval.

Basic Data Required	
Class _____	Div. _____ GRPS. _____
NEMA Ratings for BUS _____	
Incoming Voltage _____	
Incoming Amperage _____	
Wire: 3w/GND _____	4w/GND _____
Framing: Single Side _____	
Double Side _____	
Material: Steel HD/galv. _____	
Aluminum _____	
Canopy: Yes _____	No _____









NOTES

Lined area for notes with horizontal ruling lines.





