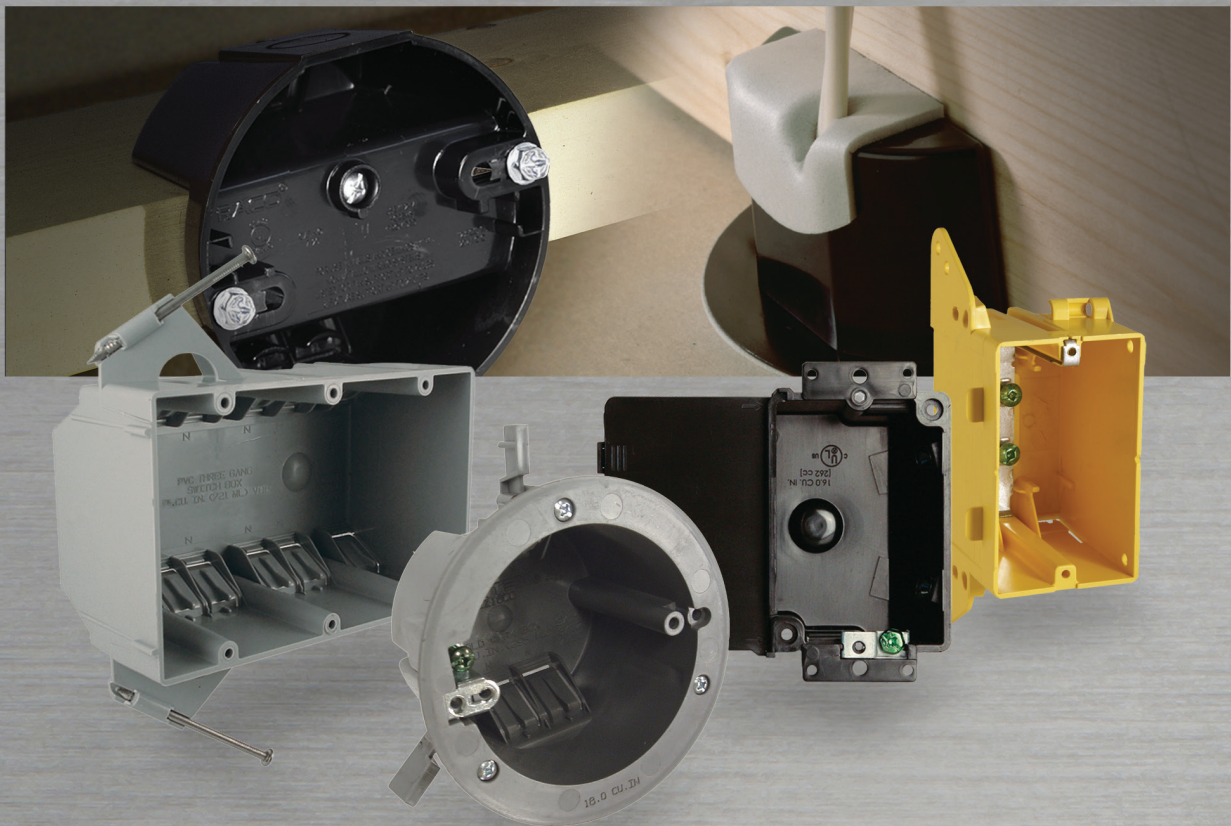




Nonmetallic Boxes, Covers and Accessories



GENERAL INFORMATION

STANDARDS, 2020 NATIONAL ELECTRICAL CODE®

MOST OFTEN REQUESTED SECTIONS OF THE 2020 NATIONAL ELECTRIC CODE®	HOW RACO® PRODUCTS HELP COMPLETE THE INSTALLATION
<p>314.27 (A) Boxes at Lighting Fixture Outlets. Boxes used at lighting fixture luminaire shall be designed for the purpose.</p>	<p>Our octagon boxes are designed for direct mounting of light fixtures of 6 lbs or less.</p> <p>Device boxes are designed for the mounting, (by #6-32 screws), of devices such as snap-switches and receptacles. They are not suitable for support other than for very lightweight devices, such as a smoke alarm unit. (See Article 314.27 (A) (1) or wall fixtures 6 lbs. or less [See 314.27 (A) (1) [Exception].</p>
<p>410.20 Space for Conductors. Canopies and outlet boxes taken together shall provide adequate space so that fixture conductors and their connecting devices can be properly installed.</p>	<p>When calculating the minimum cubic inch requirements for an outlet box, the canopy may be included in the calculation. However, the canopy of the fixture/fan needs to be marked with the cubic inch capacity. The volume of an unmarked canopy may be used at the discretion of the local authority having jurisdiction.</p>
<p>314.27 (B) Floor Boxes. Boxes listed specifically for this application shall be used for receptacles located in the floor. Exception: Boxes located in elevated floors of show windows and similar locations where the authority having jurisdiction judges them free from physical damage, moisture and dirt.</p>	<p>Only boxes that are UL Listed for the application may be fastened into the floor. RACO® floor boxes are in Section C in this catalog.</p>
<p>314.27 (C) Boxes at Fan Outlets. Boxes that support ceiling fans must be listed for that purpose.</p>	<p>At any ceiling outlet that is intended to have a ceiling (paddle) fan installed, a UL Listed outlet box rated for ceiling fan support must be used. RACO offers a complete line of products designed for various applications and mounting needs.</p>
<p>410.36 (A) Means of Support — Outlet Boxes. Where the outlet box or fitting will provide adequate support, a fixture shall be attached thereto or be supported as required by Section 314.27(A) (1) for boxes.</p>	<p>All outlet boxes that are intended to be used with fixtures are tested in accordance with UL 514A for steel boxes, UL 514C for plastic boxes. The test does provide an ample margin for safety.</p>
<p>406.12, 406.3B, 406.4 Tamper-Resistant Receptacles in dwelling units.</p>	<p>This prevents shocks to small children that like to insert keys, paper clips, etc. into the receptacle slots.</p>

NONMETALLIC CABLE BOXES



7302RAC, 7820RAC



7873RAC

CATALOG #	DESCRIPTION	CABLE KNOCKOUTS	STD. PKG.	BAR CODE
1-Gang with Captive Nails – For Nonmetallic Sheathed Cable				
7302RAC	2-3/4" Deep, 18.0 Cu. In. (294.9 cm ³), Nails, 1/2" Setback	4	100	
7820RAC	3-3/16" Deep, 20.3 Cu. In. (332.6 cm ³), Nails, 1/2" Setback	4	100	
7873RAC	3-1/2" Deep, 23.0 Cu. In. (376.8 cm ³), Nails, 1/2" Setback	4	100	

APPLICATIONS

- RACO® Nonmetallic cable boxes are used in branch circuit wiring to splice wires
- Accommodate wiring devices such as switches and receptacles
- Provide excellent protection for wiring system or devices

PRODUCT FEATURES

- RACO® Nonmetallic cable boxes provide the installer with a cost alternative that is lightweight and easy to install
- Single-gang boxes have knockouts that break out quickly and cleanly for faster installation
- Positioning tabs for fast accurate mounting on studs or joists
- Oversized nail support that resists hammer impact and prevents box deformation

STANDARD MATERIAL

- Made of heavy-duty PVC (Polyvinyl chloride) compound

COMPLIANCE

- cUL^{us} LISTED
- Boxes are listed for their Electrical Applications (Electrical Codes), UL Green Book
- Boxes are listed for mechanical properties, including the 2-hour Fire Rating, (building codes) UL Orange Book
- Federal Manufacturer's number 28488

SEE END OF SECTION (PG A95) FOR DETAILED DRAWINGS >>



MULTIGANG WITH CAPTIVE NAILS

NONMETALLIC CABLE BOXES

APPLICATIONS

- RACO® Nonmetallic cable boxes are used in branch circuit wiring to splice wires
- Accommodate wiring devices such as switches and receptacles
- Provide excellent protection for wiring system or devices

PRODUCT FEATURES

- RACO® Nonmetallic cable boxes provide the installer with a cost alternative that is lightweight and easy to install
- Self-clamping wire entry clamps
- Positioning tabs for fast accurate mounting on studs or joists
- Oversized nail support that resists hammer impact and prevents box deformation

STANDARD MATERIAL

- Made of heavy-duty PVC (Polyvinyl chloride) compound

COMPLIANCE

- cUL^{us} LISTED
- Boxes are listed for their Electrical Applications (Electrical Codes), UL Green Book
- Boxes are listed for mechanical properties, including the 2-hour Fire Rating (except 7645RAC), (building codes) UL Orange Book
- Federal Manufacturer's number 28488



7835RAC



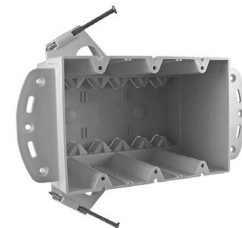
7645RAC



7846RAC



7848RAC



7874RAC

CATALOG #	DESCRIPTION	CABLE CLAMPS	CU. IN. CAP.	STD. PKG.	BAR CODE
2-Gang with Captive Nails for Wood Studs – For Nonmetallic Sheathed Cable					
7835RAC	2-29/32" Deep, Nails	8	32.5 (532.5 cm ³)	15	
Multi-gang with Captive Nails for Wood Studs – For Nonmetallic Sheathed Cable					
7645RAC	2-5/8" Deep, 4-Gang, Nails, 1/2" Setback, Bracket Support	12	55.0 (901.2 cm ³)	25	
7846RAC	2-3/4" Deep, 3-Gang, Nails, 1/2" Setback	12	44.0 (720.9 cm ³)	8	
Multi-gang, Large Capacity, with Captive Nails – For Wood Stud or Face Mount to Wood or Metal Stud - Nonmetallic Sheathed Cable					
7848RAC	3-7/8" Deep, 2-Gang, Nails, 1/2" Setback, Bracket	8	48.0 (786.5 cm ³)	50	
7847RAC	3-7/8" Deep, 3-Gang, Nails, 1/2" Setback, Bracket	12	74.0	50	

SEE END OF SECTION (PG A95) FOR DETAILED DRAWINGS >>



NONMETALLIC CABLE BOXES



7308RAC



7318RAC



7717RAC

APPLICATIONS

- RACO® Nonmetallic cable boxes are used in branch circuit wiring to splice wires
- Accommodate wiring devices such as switches and receptacles
- Provide excellent protection for wiring system or devices

PRODUCT FEATURES

- RACO® Nonmetallic cable boxes provide the installer with a cost alternative that is lightweight and easy to install
- Single-gang boxes have knockouts that break out quickly and cleanly for faster installation
- Positioning tabs for fast accurate mounting on studs or joists

STANDARD MATERIAL

- Made of heavy-duty PVC (Polyvinyl chloride) compound

COMPLIANCE

- LISTED
- Boxes are listed for their Electrical Applications (Electrical Codes), UL Green Book
- Boxes are listed for mechanical properties, including the 2-hour Fire Rating, (building codes) UL Orange Book
- Federal Manufacturer's number 28488

CATALOG #	DESCRIPTION	CABLE KNOCKOUTS	STD. PKG.	BAR CODE
1-Gang with Brackets for Metal or Wood Studs – For Nonmetallic Sheathed Cable				
7308RAC	1-1/4" Deep, 8.0 Cu. In. (131.0 cm ³), 3/8" Setback, Bracket	2	25	
7318RAC	1-1/4" Deep, 8.0 Cu. In. (131.0 cm ³), Flanged, 3/8" Setback	2	25	
7717RAC	2-27/32" Deep, 20.0 Cu. In. (327.7 cm ³), Face Mount, 1/2" Setback	4	100	

SEE END OF SECTION (PG A95) FOR DETAILED DRAWINGS >>



OLD WORK WALL BOXES

NONMETALLIC CABLE BOXES



7887RAC



7488RAC



7122RAC



7922RAC

APPLICATIONS

- RACO® Nonmetallic cable boxes are used in branch circuit wiring to splice wires
- Accommodate wiring devices such as switches and receptacles
- Provide excellent protection for wiring system or devices

PRODUCT FEATURES

- RACO® Nonmetallic cable boxes provide the installer with a cost alternative that is lightweight and easy to install
- Self-clamping wire entry clamps
- Extra long, metal swing arms ensure secure installation
- RACO® 7122RAC and 7922RAC feature wrap-around metal clamp to secure box to sheetrock

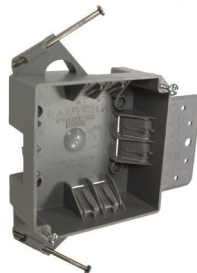
STANDARD MATERIAL

- Made of heavy-duty PVC (Polyvinyl chloride) compound. 7122RAC and 7922RAC are polycarbonate

COMPLIANCE

- cUL^{us} LISTED
- Boxes are listed for their Electrical Applications (Electrical Codes), UL Green Book
- Boxes are listed for mechanical properties, including the 2-hour Fire Rating, (building codes) UL Orange Book
- Federal Manufacturer's number 28488

CAT. #	DESCRIPTION & SETBACK	CABLE CLAMPS	STD. PKG.	BAR CODE
Old Work Cable Boxes – For Nonmetallic Sheathed Cable				
7887RAC	1-Gang, 2-29/32" Deep, 14.0 Cu. In. (229.4 cm ³), Flush Mount	4	50	IIIIIIII
7488RAC	2-Gang, 2-3/4" Deep, 25.0 Cu. In. (409.6 cm ³), Flush Mount	6	30	IIIIIIII
7122RAC	3-1/2" Round, 2-13/16" Deep, 18.0 Cu. In. (294.9 cm ³), Flush Mount, <i>Recommended Max. Support Loads - 6 Fixture Lbs. (Static)</i>	4	100	IIIIIIII
7922RAC	3-1/2" Round, 2-13/16" Deep, 18.0 Cu. In. (294.9 cm ³), Flush Mount, Ground Plate	4	100	IIIIIIII



7220RAC



7232RAC



978



980
BOX-LOC®

CAT. #	DESCRIPTION & SETBACK	CABLE CLAMPS	STD. PKG.	BAR CODE
4" Square Boxes – For Nonmetallic Sheathed Cable				
7220RAC	1-5/8" Deep, 18.0 Cu. In. (294.9 cm ³), Nails	8	8	IIIIIIII
7232RAC	2-5/8" Deep, 32.0 Cu. In. (524.3 cm ³), Nails	10	8	IIIIIIII

CAT. #	DESCRIPTION	STD. PKG.	BAR CODE
Accessories			
978	Far-side Box Support	50	—
980	BOX-LOC Metal Stud Clip	50	IIIIIIII

SEE END OF SECTION (PG A95-A96) FOR DETAILED DRAWINGS >>



NONMETALLIC CABLE BOXES



7119RAC



7919RAC



7823RAC



7824RAC

APPLICATIONS

- RACO® Nonmetallic cable boxes are used in branch circuit wiring to splice wires
- Provide excellent protection for wiring system or devices
- For use wherever lighting fixture canopies are to be installed
- Ceiling boxes on this page are not designed for ceiling fan support

PRODUCT FEATURES

- RACO® Nonmetallic cable boxes provide the installer with a cost alternative that is lightweight and easy to install
- Self-clamping wire entry clamps
- Round fixture boxes offer an optional front-mounted grounding screw
- Oversized nail support that resists hammer impact and prevents box deformation

STANDARD MATERIAL

- Made of heavy-duty engineered compound. Base material is polycarbonate

COMPLIANCE

- c(UL)us LISTED
- Boxes are listed for their Electrical Applications (Electrical Codes), UL Green Book
- Boxes are listed for mechanical properties, including the 2-hour Fire Rating, (building codes) UL Orange Book
- Federal Manufacturer's number 28488

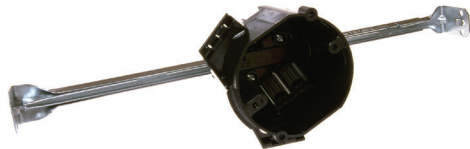
CAT. #	DESCRIPTION & SETBACK	CABLE CLAMPS	STD. PKG.	RECOMMENDED MAX. SUPPORT LOADS		BAR CODE
				Ceiling Fan (dynamic)	Fixture Lbs (static)	
3-1/2" Round Ceiling Boxes – With Captive Nails, For Nonmetallic Sheathed Cable						
7119RAC	2-5/8" Deep, 18.0 Cu. In. (294.9 cm ³), 1/2" Setback, Nails	4	75	—	50	
7919RAC	2-5/8" Deep, 18.0 Cu. In. (294.9 cm ³), 1/2" Setback, Nails, Ground Plate	6	75	—	50	
4" Round Ceiling Boxes – With Captive Nails, For Nonmetallic Sheathed Cable						
7823RAC	2-3/8" Deep, 20.0 Cu. In. (327.7 cm ³), Ground Plate, 3/8" Setback, Nails	4	75	—	50	
7824RAC	2-3/8" Deep, 20.0 Cu. In. (327.7 cm ³), 3/8" Setback, Nails	4	75	—	50	

SEE END OF SECTION (PG A06) FOR DETAILED DRAWINGS >>

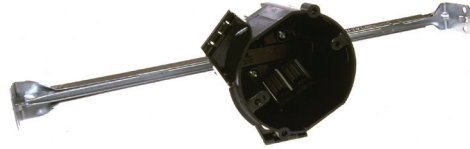


ROUND CEILING BOXES

NONMETALLIC CABLE BOXES



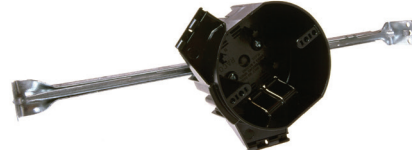
7307



7907



7826RAC



7825

APPLICATIONS

- RACO® Nonmetallic cable boxes are used in branch circuit wiring to splice wires
- Provide excellent protection for wiring system or devices
- RACO® 7907, 7307, 7825, 7826RAC are not designed for ceiling fan support

PRODUCT FEATURES

- RACO® Nonmetallic cable boxes provide the installer with a cost alternative that is lightweight and easy to install
- Self-clamping wire entry clamps
- Round fixture boxes offer an optional front-mounted grounding screw
- For use wherever fans (Cat. #7120, 7120-1, 7120-VB only) or lighting fixture canopies are to be installed

STANDARD MATERIAL

- Made of heavy-duty engineered compound. Base material is polycarbonate

COMPLIANCE

- LISTED
- All versions of RACO 7120 are UL approved for nonmetallic wiring systems
- Boxes are listed for their Electrical Applications (Electrical Codes), UL Green Book
- Boxes are listed for mechanical properties, including the 2-hour Fire Rating, (building codes) UL Orange Book
- Federal Manufacturer's number 28488

CAT. #	DESCRIPTION & SETBACK	CABLE CLAMPS	STD. PKG.	RECOMMENDED MAX. SUPPORT LOADS		BAR CODE
				Ceiling Fan (dynamic)	Fixture Lbs (static)	
3-1/2" Round Ceiling Set-up – For Spanning From Joist to Joist For Nonmetallic Sheathed Cable						
7307*	2-5/8" Deep, 18.0 Cu. In. (294.9 cm ³), 1/2" Setback, Nails	4	25	—	10 [Ⓛ]	
7907*	2-5/8" Deep, 18.0 Cu. In. (294.9 cm ³), 1/2" Setback, Adj. 14-3/4" - 22-1/2", w/Ground Plate	4	25	—	10 [Ⓛ]	
4" Round Ceiling Set-up – For Spanning From Joist to Joist For Nonmetallic Sheathed Cable						
7826RAC	2-3/8" Deep, 20.0 Cu. In. (327.7 cm ³), Adj. 14-3/4" - 22-1/2"	6	25	—	10 [Ⓛ]	
7825	2-3/8" Deep, 20.0 Cu. In. (327.7 cm ³), Adj. 14-3/4" - 22-1/2", w/Ground Plate	6	25	—	10 [Ⓛ]	

[Ⓛ] 10 Lbs. max. load recommended UL Rated for 50 Lbs. on 16" centers.



7120VB
SADDLE-BOX®



7120
SADDLE-BOX®



7120-1
SADDLE-BOX®

CAT. #	DESCRIPTION & SETBACK	CABLE CLAMPS	STD. PKG.	RECOMMENDED MAX. SUPPORT LOADS		BAR CODE
				Ceiling Fan (dynamic)	Fixture Lbs (static)	
SADDLE-BOX® 4" Round Ceiling Fan & Fixture Box – For Nonmetallic Sheathed Cable or Conduit						
7120VB	12.5 Cu. In. (204.8 cm ³)	4	24	70	210	
7120*	12.5 Cu. In. (204.8 cm ³)	4	20*	70	210	
7120-1	12.5 Cu. In. (204.8 cm ³)	4	24	70	210	

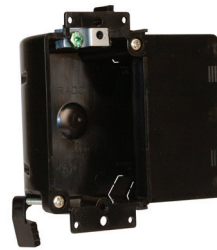
* Packaged in a stackable, individual chipboard display cartons.

SEE END OF SECTION (PG A96) FOR DETAILED DRAWINGS >>

NONMETALLIC SHALLOW CABLE BOXES



7322RAC



7322-OW

CAT. #	DESCRIPTION	STD. PKG.	BAR CODE
1-Gang Shallow Trailer Box – For Nonmetallic Sheathed Cable			
7322RAC	1-3/4" Deep, 16.0 Cu. In. (262.1 cm ³)	50	
7322-OW	1-3/4" Deep, 16.0 Cu. In. (262.1 cm ³), Old work wings	50	

APPLICATIONS

- RACO® Nonmetallic cable boxes are used in branch circuit wiring to splice wires
- Provide excellent protection for wiring system or devices
- Accommodate wiring devices such as switches and receptacles
- Great for use in trailer applications

PRODUCT FEATURES

- RACO® Nonmetallic cable boxes provide the installer with a cost alternative that is lightweight and easy to install
- Self-clamping wire entry clamps
- All outlet boxes have a front-mounted grounding screw with combination straight/Robertson head
- Positioning tabs provide fast, accurate mounting on studs or joists
- grounding screw provided

STANDARD MATERIAL

- Made of high strength Noryl®
- Noryl® is a registered trademark of General Electric Corporation

COMPLIANCE

- cUL^{us} LISTED
- Federal Manufacturer's number 28488



VAPOR BARRIER

NONMETALLIC CABLE BOXES



2011FBAR



2022FBAR



2023FBAR



2028FBAR



7120VB
SADDLE-BOX®

APPLICATIONS

- Vapor barrier boxes prevent unwanted penetration of exterior air and help maintain the existing interior environment from elements outside of the structure
- RACO® Nonmetallic vapor barrier cable boxes provide the installer with a cost alter-native that is lightweight and easy to install
- RACO® Nonmetallic cable boxes are used in branch circuit wiring to splice wires
- Accommodate wiring devices such as switches and receptacles
- Serve as fixture support
- Provide excellent protection for wiring system or devices

PRODUCT FEATURES

- Self-clamping wire entry clamps
- 7120VB boxes have a front-mounted grounding screw with combination straight/Robertson head
- Vapor/air barrier flange and integral wire entry seal provides superior energy savings and quick installation
- Hands free installation
- For 1/2", 5/8", or 3/4" drywall
- Unique saddle design straddles standard joists - 7120VB
- 7120VB prevents unwanted penetration of exterior air and helps maintain the existing interior environment from the elements outside the structure
- Fits any 1-1/2" wide joist

CAT. #	DESCRIPTION & SETBACK	CABLE CLAMPS	STD. PKG.	RECOMMENDED MAX. SUPPORT LOADS		BAR CODE
				Ceiling Fan (dynamic)	Fixture Lbs (static)	
Vaper Barrier Cable Boxes						
2011FBAR	2-3/4" Deep, 18.0 Cu. In. (294.9 cm ³), 1/2" Setback	4	50	—	50	
2022FBAR	2-3/4" Deep, 35.2 Cu. In. (576.8 cm ³), 1/2" Setback	8	50	—	50	
2023FBAR	2-3/4" Deep, 52.6 Cu. In. (862 cm ³), 1/2" Setback	12	25	—	50	
4" Round Vapor Barrier Cable Box – For Ceiling						
2028FBAR	2-5/8" Deep, 28.1 Cu. In. (460.5 cm ³), 1/2" Setback	4	40	—	50	
4" Round Vapor Barrier Cable Box – For Ceiling						
7120VB	2-5/8" Deep, 12.5 Cu. In. (204.8 cm ³), 1/2" Setback	4	24	70	210	

STANDARD MATERIAL

- Made of high strength Noryl®
- Noryl® is a registered trademark of General Electric Corporation

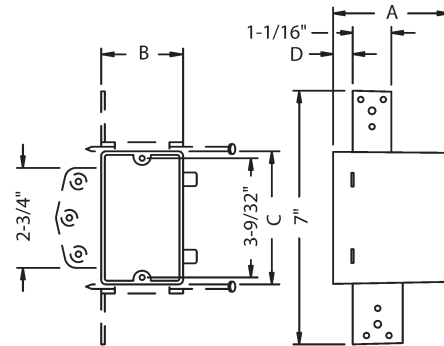
COMPLIANCE

- LISTED
- Federal Manufacturer's number 28488

NONMETALLIC CABLE BOXES

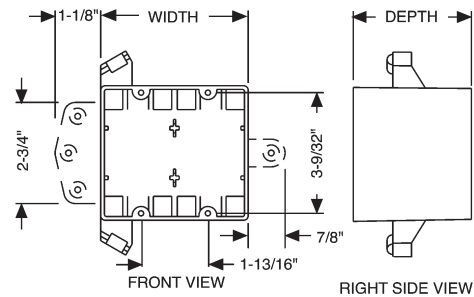
Nonmetallic Outlet Boxes

CATALOG NUMBER	A	B	C	D
7302RAC	2-3/4"	2-1/4"	3-19/32"	1/2"
7820RAC	3-3/16"	2-1/4"	3-19/32"	1/2"
7873RAC	3-1/2"	2-1/4"	3-19/32"	1/2"
7308RAC	1-1/4"	2-3/8"	3-1/2"	3/8"
7318RAC	1-1/4"	2-3/8"	3-1/2"	—
7717RAC	2-27/32"	2-1/4"	3-19/32"	1/2"
7848RAC	2-27/32"	2-1/4"	3-19/32"	5/8"
7874RAC	3-3/16"	2-1/4"	3-19/32"	5/8"



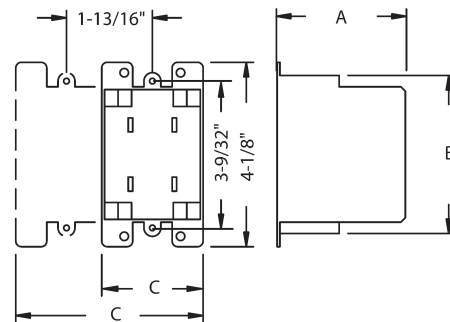
Multi-gang Outlet Boxes

CATALOG NUMBER	GANG	WIDTH	DEPTH
7835RAC	2	4"	2-29/32"
7645RAC	4	7-5/8"	2-5/8"
7846RAC	3	5-7/8"	2-3/4"
7848RAC	2	4"	3-31/32"
7874RAC	3	8-7/16"	3-31/32"



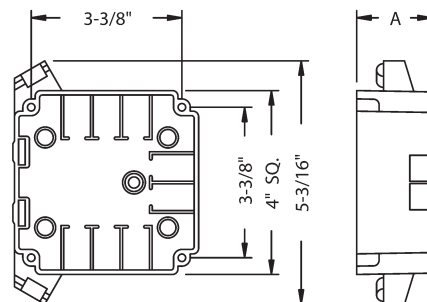
Old Work Nonmetallic Outlet Boxes

CATALOG NUMBER	GANG	A	B	C
7887RAC	1	2-29/32"	3-1/8"	2-1/4"
7488RAC	2	2-3/4"	4"	3"



4" Square with Captive Nails for Metal or Wood Studs

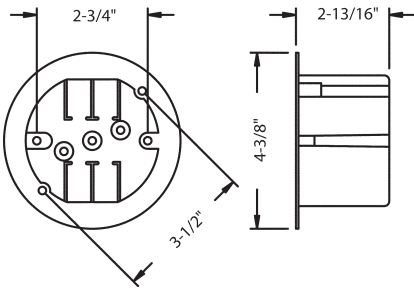
CATALOG NUMBER	A (DEPTH)
7220RAC	1-5/8"
7232RAC	2-5/8"



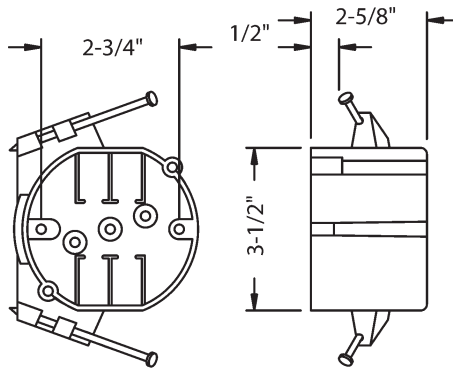
DETAILED DRAWINGS

NONMETALLIC CABLE BOXES

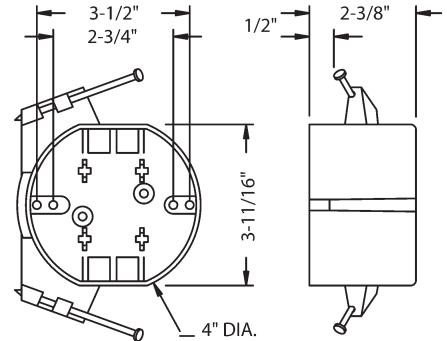
CATALOG NO'S 7122RAC, 7922RAC



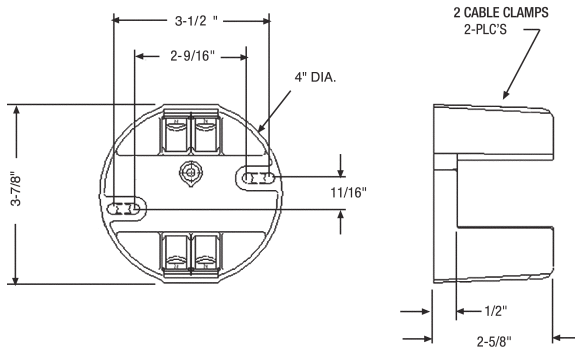
CATALOG NO'S 7119RAC, 7919RAC



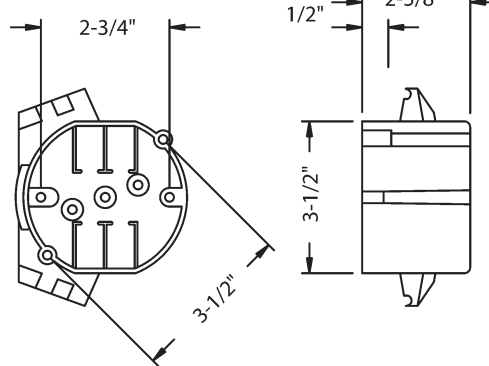
CATALOG NO'S 7823RAC, 7824RAC



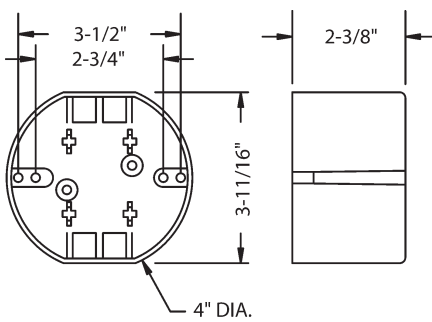
CATALOG NO'S 7120, 7120-1, 7120VB



CATALOG NO'S 7307, 7907



CATALOG NO'S 7825, 7826RAC



CATALOG NO'S 7322, 7322-OW

