



DEADENDS BOLTED STRAIGHT-LINE SPRING-LOADED - SIDE OPENING ALUMINUM

ALUMINUM
ASOD

DA
9

For distribution and light transmission construction with AAC, AAAC and ACSR conductors. The vertical spring-loaded keeper provides the easiest installation of any current bolted strain clamp.

Material: **Body and Keeper** - 356-T6 Aluminum Alloy
Hardware - Galvanized Steel
Sockets and Clevises - Ductile Iron, Galvanized
Spring and Cotter Pin - Stainless Steel

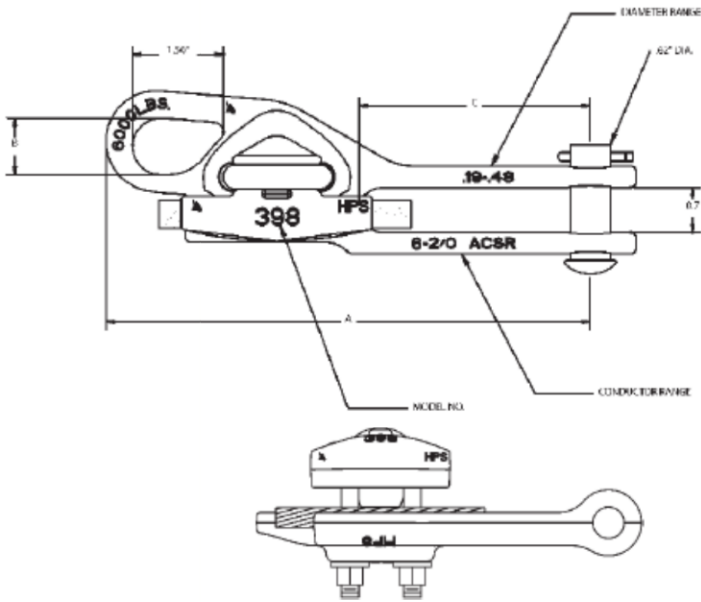
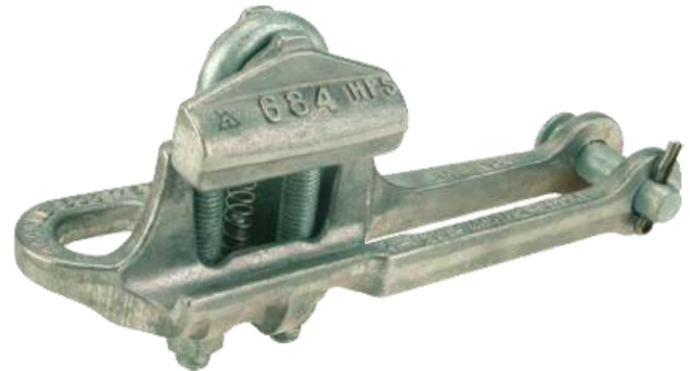


Fig. 1

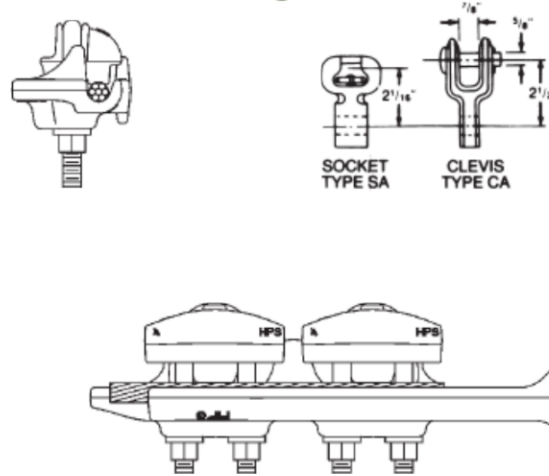


Fig. 2

Product Data & Conductor Size

CATALOG NUMBER	U-BOLTS		CLAMPING RANGE						ULT. STR. LBS. (kN)		DIMENSIONS IN INCHES		
	NO.	SIZE	ACSR		ALUMINUM		INCHES		BODY	SAG EYE	A	B	C
			MIN.	MAX.	MIN.	MAX.	MIN.	MAX.					
ASOD3981N	1	3/8	#6 (6/1)	2/0 (6/1)	#4 (7)	2/0 (19)	0.19	0.48	6000 (26.69)	6000 (26.69)	8.00	1.00	3.62
ASOD5701N	1	1/2	#6 (6/1)	4/0 (6/1)	#4 (7)	4/0 (19)	0.19	0.57	8000 (35.59)	8000 (35.59)	8.62	1.00	3.75
ASOD6841N	1	1/2	#4 (6/1)	336.4 (18/1)	#2 (7)	350 (37)	0.25	0.69	8000 (35.59)	8000 (35.59)	9.00	1.00	4.50
ASOD8581N	1	1/2	#4 (6/1)	556.5 (18/1)	#2 (7)	556.5 (37)	0.25	0.89	8000 (35.59)	8000 (35.59)	9.62	1.00	4.75
ASOD8582N	2	1/2	3/0 (6/1)	556.5 (18/1)	4/0 (7)	556.5 (37)	0.50	0.89	12000 (53.38)	9000 (4003)	14.50	1.00	6.00
ASOD11602N	2	1/2	336.4 (18/1)	900 (54/7)	350 (37)	954 (61)	0.69	1.16	12000 (53.38)	9000 (4003)	16.75	1.50	7.75
ASOD12592N	2	1/2	336.4 (18/1)	1113 (45/7)	336.4 (19 STR)	1200 (91 STR)	0.666	1.263	15000 (66.72)	11250 (50.04)	16.56	1.5	6.9

NOTES: (1) Recommended torque on U-bolts: 3/8"-25 lb.-ft., 1/2"-45 lb.-ft. (2) Add Suffix "C" for Clevis Fitting (Type CA) (3) Add Suffix "S" for Socket Eye Fitting (Type SA) (4) All bolted deadends are rated 40% of RBS - Partial tension per ANSI C119.4" (5) For conductor sizes not shown in catalog, consult factory