

Straight Blade Devices

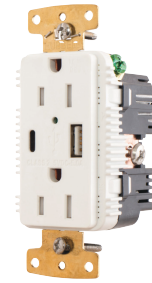


USB Charger Receptacles and Outlets



Weather Resistant Receptacle Features

- Meets Section 406.9 of NEC®
- 5 Amp, 5 Volt USB output
- Type A&C USB ports
- Power indicating green LED light



Weather and Tamper-Resistant USB Charger Duplex Receptacles



Description	Color	15A 125V	20A 125V
Type A&C USB Charger Receptacle, One Type A and one Type-C port configurations, high power 5 Amp, 5 Volt USB output, weather/tamper-resistant USB ports rated 10,000 cycles; Commercial Grade.	Black	USBB15AC5BKWR	USBB20AC5BKWR
	Brown	USBB15AC5WR	USBB20AC5WR
	Gray	USBB15AC5GYWR	USBB20AC5GYWR
	Ivory	USBB15AC5IWR	USBB20AC5IWR
	Light Almond	USBB15AC5LAWR	USBB20AC5LAWR
	White	USBB15AC5WWR	USBB20AC5WWR

Note: Outdoor circuits should be GFCI protected per national and local electric codes.

15A and 20A 125V USB Charger Receptacles



Wiring		Back and Side Wired		
Face		Decorator		
Rating	Color	(2) Type-C Ports	(1) Type A & (1) Type-C Port	(2) Type A Ports
NEMA 5-15, 15A 125V 	Black	USBB15C5BK	USBB15AC5BK	USBB15A5BK
	Brown	USBB15C5	USBB15AC5	USBB15A5
	Gray	USBB15C5GY	USBB15AC5GY	USBB15A5GY
	Ivory	USBB15C5I	USBB15AC5I	USBB15A5I
	Lt. Almond	USBB15C5LA	USBB15AC5LA	USBB15A5LA
	White	USBB15C5W	USBB15AC5W	USBB15A5W
NEMA 5-20, 20A 125V 	Black	USBB20C5BK	USBB20AC5BK	USBB20A5BK
	Brown	USBB20C5	USBB20AC5	USBB20A5
	Gray	USBB20C5GY	USBB20AC5GY	USBB20A5GY
	Ivory	USBB20C5I	USBB20AC5I	USBB20A5I
	Lt. Almond	USBB20C5LA	USBB20AC5LA	USBB20A5LA
	White	USBB20C5W	USBB20AC5W	USBB20A5W

Note: See page R-6 for tamper-resistant description. See page A-29 for technical specifications.

4 Port USB Charger Outlets



Back and Side Wired		
Decorator		
(4) Type-C Ports	(2) Type A & (2) Type-C Port	(4) Type A Ports
USBB4CBK	USBB4ACBK	USBB4BK
USBB4C	USBB4AC	USBB4
USBB4CGY	USBB4ACGY	USBB4GY
USBB4CI	USBB4ACI	USBB4I
USBB4CLA	USBB4ACLA	USBB4LA
USBB4CW	USBB4ACW	USBB4W

Switch Combo Outlets

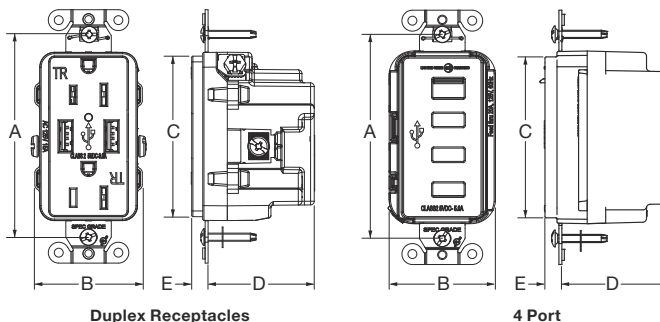
Switch Combo, (2) Type A Ports

- USBB102BK**
- USBB102**
- USBB102GY**
- USBB102I**
- USBB102LA**
- USBB102W**



Product Dimensions Inches (mm)

	Duplex	4 Port	2 Port
A	3.28" (83.3)	3.28" (83.3)	3.28" (83.3)
B	1.75" (44.5)	1.72" (43.8)	1.75" (44.5)
C	2.62" (66.5)	2.62" (66.5)	2.62" (66.5)
D	1.73" (43.9)	1.73" (43.9)	1.01" (25.8)
E	0.27" (6.8)	0.27" (6.8)	0.30" (7.6)



Duplex Receptacles

4 Port