

# Straight Blade Devices

## Special Use Products



### Floor Box Assemblies and Display Receptacles



Floor Box Assemblies		Brushed Brass Plate
Rating	Description	
NEMA 5-15, 15A 125V 	Specification grade single receptacle, gasketing and floor rated single gang steel box	<b>5236BOX</b>



Display Receptacles		
Description	Smooth Brushed Brass Finish	Nickel Plated Finish
Specification grade single receptacle	<b>3799G</b>	<b>3799GS</b>

### Nightlight Only



Nightlight Devices		Catalog Number
Description		
LED 1.5 Lumen nightlight with polycarbonate full face lens for maximum illumination, 6 in. pre-wired stranded wire		<b>D100NLIV</b> <b>D100NLLA</b> <b>D100NLW</b>

### Clock Hangers



Rating	Specification Grade		
	Description	Smooth Brushed Brass Plate	Nickel Plated Finish
NEMA 5-15, 15A 125V 	Specification grade single receptacle	<b>2828G</b>	<b>2828GS</b>
NEMA 5-20, 20A 125V 		—	—

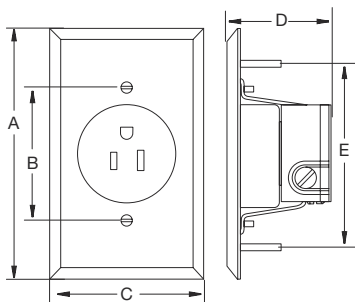
Residential Grade		Single Receptacle	Duplex
Description	Material/Color	Tamper-Resistant	Tamper-Resistant
Clock hanger/recessed receptacle, grounding, side wire terminations	Brass	<b>RR151CHBSTR</b>	—
	Stainless Steel	<b>RR151CHSSTR</b>	—
	Ivory	<b>RR151CHITR</b>	<b>RR1510I</b>
	Light Almond	—	<b>RR1510LA</b>
	White	<b>RR151CHWTR</b>	<b>RR1510W</b>
	Brass	—	—
	Stainless Steel	<b>RR201CHSSTR</b>	—
	Ivory	<b>RR201CHITR</b>	—
	White	<b>RR201CHWTR</b>	—

Note: See Section O for floor and under cabinet box options.

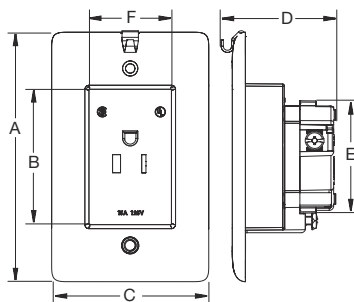
Note: See page R-6 for tamper-resistant description.

### Product Dimensions Inches (mm)

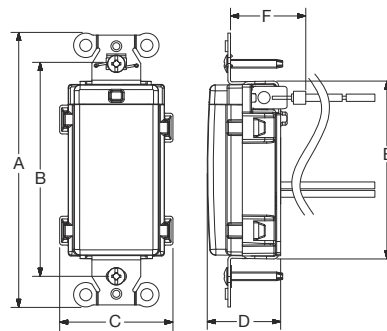
	Display Receptacles	Residential Clock Hanger	Nightlight Only
A	4.50" (114.3)	4.63" (117.5)	4.20" (106.8)
B	2.38" (60.5)	2.51" (63.8)	3.28" (83.4)
C	2.75" (69.9)	2.88" (73.0)	1.74" (44.2)
D	1.86" (47.2)	2.10" (53.3)	1.13" (33.3)
E	3.28" (83.3)	2.08" (52.8)	2.73" (69.4)
F	—	1.51" (38.4)	1.16" (29.3)



Display Receptacles



Residential Clock Hanger



Nightlight Only