



- Impact-resistant PBT material
- UL Type 3R seal on a panel or on a portable outlet box
- Stainless steel hinge and spring

### Pre-Assembled Portable Outlet Boxes (with Cord Connector Installed) Inches (mm)

**Box Suitable for Wet and Damp Locations**

**IP44**  
SUITABILITY



Description	Cord Range	Color	Deep	Deep with Feed-Thru	Deep with (2) Duplex Cover Plates
Portable outlet boxes	0.38"-0.50" (9.7-12.7)	Yellow	<b>BRY3099</b>	<b>BRY3090F</b>	<b>BRY3000</b>

Note: For use with NEMA Type 1 and Type 3R portable outlet box covers listed below.

### Portable Outlet Box Cover Plates (NEMA Type 1) and Lift Covers (Type 3R)

**UL Type 1, 3R**

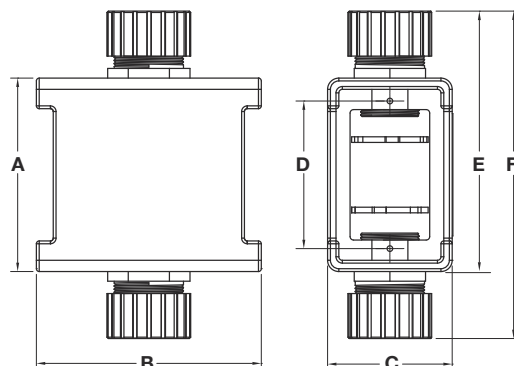
**IP65, 66**  
SUITABILITY



Description	Duplex		1.39" Diameter Receptacle		1.572" Diameter Receptacle		GFCI		Blank
	Box Cover UL Type 1	Lift Cover UL Type 3R	Box Cover UL Type 1	Lift Cover UL Type 3R	Box Cover UL Type 1	Lift Cover UL Type 3R	Box Cover UL Type 1	Lift Cover UL Type 3R	Lift Cover UL Type 3R
Portable outlet box cover plates	<b>BRY3051</b>	<b>BRY3056</b>	<b>BRY3052</b>	<b>BRY3057</b>	<b>BRY3055</b>	<b>BRY3058</b>	<b>BRY3060</b>	<b>BRY3061</b>	<b>BRY3054</b>

### Product Dimensions

Portable Outlet Boxes	
A	
B	
C	
D	
E	
F	
Box Covers	
A	3.78" (96.0)
B	2.28" (57.9)
C	0.27" (6.9)
D	3.28" (83.3)
E	1.87" (47.5)
F	3.25" (82.6)



Style shown is representative of all openings.

