

Power Distribution Boxes



Weather Protective Lift Covers, Portable Outlet Boxes and Plates



- Wiring room large enough to accommodate the broadest range of device requirements in one box size
- Cord entry options include pre-defined range of 0.38 in. to 0.50 in.
- Fully thermoplastic elastomer housing exceeds UL crush requirements and is highly impact resistant, available in black or yellow
- Brass inserts for maximum strength
- Extended wall protects lift covers from impact damage



- Lift cover plates are UL Type 3R seal on a panel or on a portable outlet box
- Impact resistant PBT material
- Stainless steel hinge and spring

Pre-Assembled Portable Outlet Boxes (with Cord Connector Installed) Inches (mm)

Box Suitable for Wet and Damp Locations

IP44
SUITABILITY



BRY3099



BRY3090F



BRY3000

Description	Cord Range	Color	Deep	Deep with Feed-Thru	Deep with (2) Duplex Cover Plates
Portable outlet boxes	0.38"-0.50" (9.7-12.7)	Yellow	BRY3099	BRY3090F	BRY3000

Note: For use with NEMA Type 1 and Type 3R portable outlet box covers listed below.

Portable Outlet Box Cover Plates (Type 1) and Lift Covers (Type 3R)

UL Type 1, 3R

IP65, 66
SUITABILITY



BRY3051



BRY3056



BRY3052



BRY3057



BRY3055



BRY3058



BRY3060



BRY3061

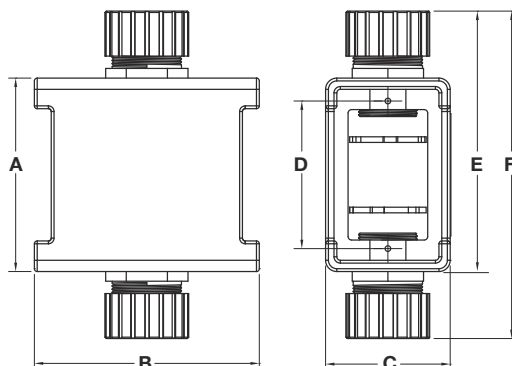


BRY3054

Description	Duplex		1.39" Diameter Receptacle		1.572" Diameter Receptacle		GFCI		Blank
	Box Cover UL Type 1	Lift Cover UL Type 3R	Box Cover UL Type 1	Lift Cover UL Type 3R	Box Cover UL Type 1	Lift Cover UL Type 3R	Box Cover UL Type 1	Lift Cover UL Type 3R	Lift Cover UL Type 3R
Portable outlet box cover plates	BRY3051	BRY3056	BRY3052	BRY3057	BRY3055	BRY3058	BRY3060	BRY3061	BRY3054

Product Dimensions Inches (mm)

Portable Outlet Boxes	
A	4.30" (109.2)
B	5.00" (127.0)
C	2.77" (70.4)
D	3.28" (83.3)
E	5.79" (147.0)
F	7.28" (184.9)
Box Covers	
A	3.78" (96.0)
B	2.28" (57.9)
C	0.27" (6.9)
D	3.28" (83.3)
E	1.87" (47.5)
F	3.25" (82.6)



Style shown is representative of all openings.

