

# Electric Cord and Cable Reels

## Cord Reels with Hand Lamps



- For more light where you need it, consider our cord reels with attached hand lamps
- With choices such as incandescent, fluorescent and LED lamps, more light can be brought to more places, small or large
- These cord reels are constructed of durable, corrosion-resistant steel to last through the toughest jobs and the desired cord length is automatically maintained through a positive-latch mechanism

### Cord Reels with Hand Lamps, Feet (m)

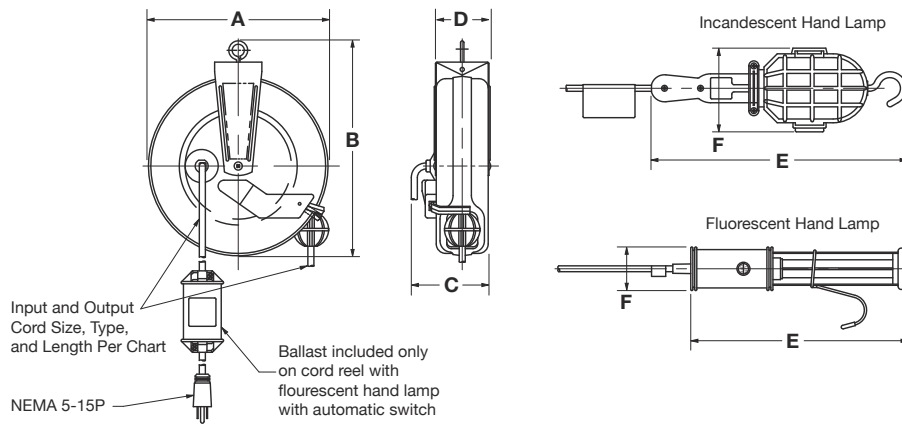
Description	Wattage	Lumen Output	Light Amps / Outlet Amps	Volts	Cord Type	Cord Length Feet (m)	Catalog Number
Reel with LED hand lamp, with flashlight end, white	9	920/120	0.065 / N/A	125	18/2 SJTOW	40 (12.2)	<b>BRYC40182LED</b>
Reel with non-metallic incandescent hand lamp and automatic shut off switch, yellow	75 Max.	1,150 Max.	N/A / N/A	125	16/3 SJT	25 (7.6)	<b>BRYC25163AIN</b>
Reel with metallic incandescent hand lamp with receptacle, yellow	75 Max.	1,150 Max.	N/A / 10	125	14/3 SJT	25 (7.6)	<b>BRYC25143IN</b>
Reel with fluorescent hand lamp and automatic shut off switch, white	13	825	0.3 / N/A	120	18/2 SJTOW	40 (12.2)	<b>BRYC40182AFL</b>
Reel with fluorescent hand lamp and in-line receptacle, white	13	825	0.3 / 12	120	16/3 SJT	40 (12.2)	<b>BRYC40163FL</b>



**BRYC40182AFL**

### Product Dimensions Inches (mm)

Reel with Hand Lamps		
A	9.50" (241.3)	
B	11.38" (288.9)	
C	4.11" (104.4)	
D	2.83" (72.0)	
E	Incandescent	Fluorescent
F	13.52" (343.3)	11.50" (292.0)
	4.43" (112.5)	2.31" (58.7)



## Specifications

### Weatherproof Cable Reels

Listings

UL 355 and CSA, C22.2 No. 21

Environment

Type 4X enclosure, CAN/CSA - C22.2 No. 94.2

Dry, indoor and wet and damp outdoor non-hazardous locations

### Industrial Cord Reels

UL 355 and CSA, C22.2 No. 21

Dry, indoor, non-hazardous locations

### Commercial Cord Reels

UL 355

Dry, indoor, non-hazardous locations

### Cord Reel with Hand Lamps

UL, CSA, ETL

Dry, indoor, non-hazardous locations