



15 Amp Countertop Receptacles

| Description | Finish | Color/Material | Surface Mount | Flush Mount |
|---|---------------|--|--|--|
| 15A 125V Tamper-Resistant Pop-Up Kitchen Counter Receptacle, Rated for 20A circuits | Brushed | Aluminum Brass Nickel | RCT200ALU RCT200BR RCT200NI | RCT201ALU RCT201BR RCT201NI |
| | Polished | Chrome | RCT200CH | RCT201CH |
| | Powder Coated | Bronze Matte Black Matte White Matte | RCT200BZE RCT200BK RCT200W | RCT201BZE RCT201BK RCT201W |



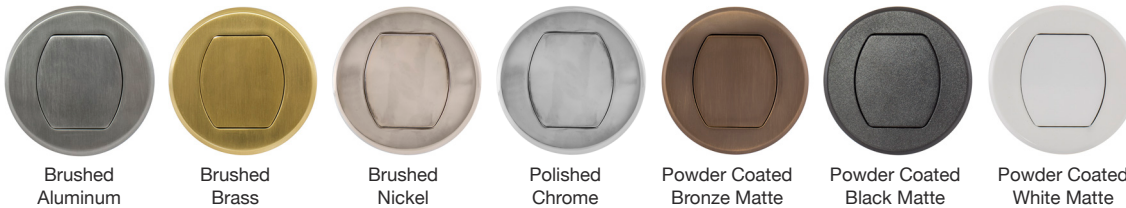
RCT200BK



RCT221ALU

20 Amp Countertop Receptacles

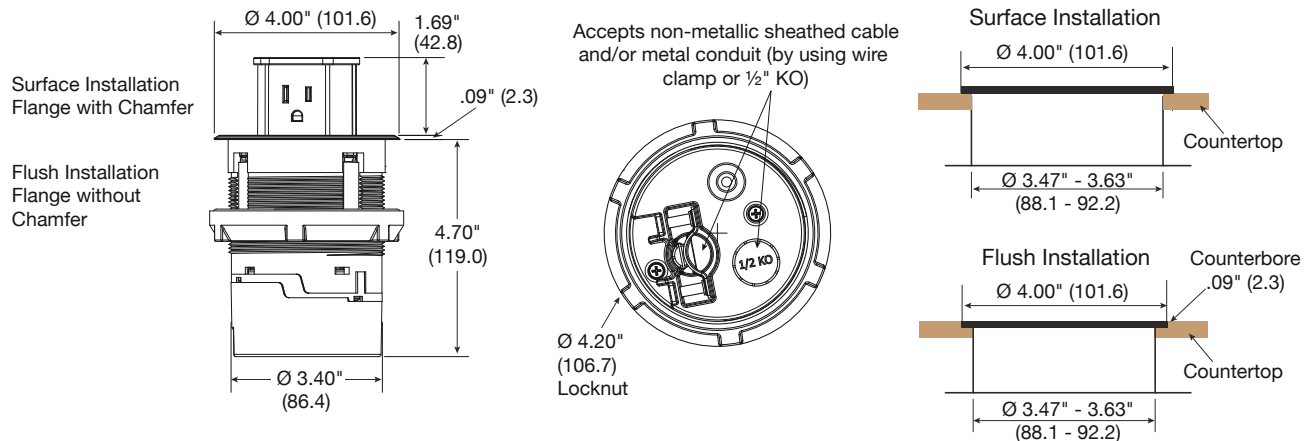
| Description | Finish | Color/Material | Surface Mount | Flush Mount |
|--|---------------|--|--|--|
| 20A 125V Tamper-Resistant Pop-Up Kitchen Counter Receptacle. | Brushed | Aluminum Brass Nickel | RCT220ALU RCT220BR RCT220NI | RCT221ALU RCT221BR RCT221NI |
| | Polished | Chrome | RCT220CH | RCT221CH |
| | Powder Coated | Bronze Matte Black Matte White Matte | RCT220BZE RCT220BK RCT220W | RCT221BZE RCT221BK RCT221W |



Specifications

| Performance | | Materials | |
|-------------------------|---|------------------|------------------------------|
| Configuration | 15/20 amp 125 volt, tamper-resistant receptacle | Cover and Flange | Die cast aluminum |
| Circuit Rating | 20 amp non-feed through | Main Body | Engineered thermoplastic PBT |
| Listings | cULus Listed to UL498, Section 145 Mechanical Load Test, 146 Spill Test | Wiring Chamber | Die cast aluminum |
| Dielectric Voltage | Withstands 2,000V minimum | Water Seals | Elastomers and silicon |
| Terminal Accommodation | #14-#12 AWG copper stranded or solid conductor only | | |
| Terminal Identification | Terminals identified in accordance with UL 498 and CSA | | |
| Flammability | UL 94V-2 | | |
| Operating Temperature | Maximum continuous 75°C, minimum -40°C (w/o impact) | | |

Product Dimensions Inches (mm)



Note: Recommended to be fed by a GFCI circuit, up to 20 Amp Service.