

Wallplates and Covers



Weatherproof Covers



7420B



23007



7770



7774CR

1-Gang Die Cast Aluminum Covers, Vertical Mount Inches (mm)

Description	Catalog Number
1.62 in. (41.1) dia. opening, 20 and 30 amp, locking receptacle	7420B
2.15 in. (54.6) dia. opening, 30 and 50 amp, 3-wire power receptacle	7427B
2.31 in. (58.7) dia. opening for "MBWP" inlet	7429B
20 amp power interrupting, locking receptacle	23007
30 amp power interrupting, locking receptacle, lift cover	20405
50 amp standard locking receptacle	7770

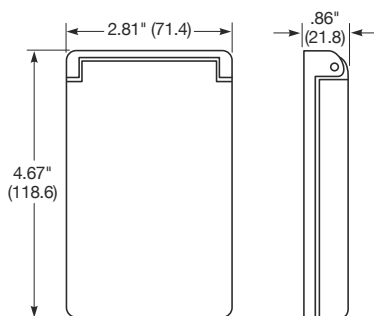
1-Gang Non-Metallic Cover, Vertical Mount for Flanged Devices

Description	Catalog Number
Yellow fiberglass weatherproof plate with lift lid for 50 amp locking receptacles, fits F.S. and F.D. boxes	7774CR

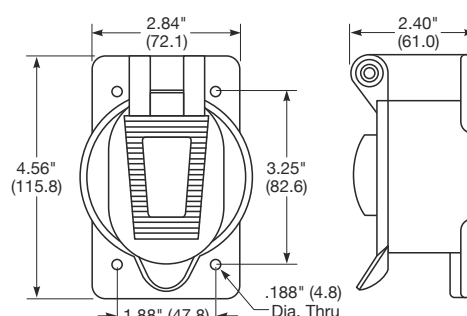
Catalog Number for Receptacles in Groups Inches (mm)

Boss Diameter 1.36 in. to 1.39 in. (34.5 to 35.3)		Boss Diameter 1.55 in. to 1.58 in. (39.4 to 40.1)				Boss Diameter 1.68 in. to 1.72 in. (42.7 to 43.7)	Boss Diameter 2.09 in. to 2.13 in. (53.1 to 54.1)	Boss Diameter 2.28 in. to 2.44 in. (57.9 to 62.0)
5261	8310	70520FR	71220FR	71820FR	3330	9530FR	3771	CS6369L
5251	7250	70620FR	71030FR	71920FR	3430	9630FR	7379	CS6370L
5661	5284	70720FR	71130FR	72020FR	3520	9303	3769	CS8169L
5361	5258	70820FR	71230FR	71830FR	7410	9306	6369CR	CS8269L
5351	5684	70920FR	71330FR	71930FR	40045FR	9550FR	6370CR	CS8369L
5461	5384	70530FR	71420FR	72030FR	FSL1FR	9650FR		CS8469L
4710	5484	70630FR	71520FR	72120FR	FSL2FR			CS6369A
4760	5261IG	70730FR	71620FR	72220FR	FSL3FR			CS6370A
7582	5361IG	70830FR	71430FR	72320FR	FSL4FR			CS8169A
7310	7535	70930FR	71530FR	72130FR				CS8269A
8210	70615FR	71020FR	71630FR	72230FR				CS8369A
		71120FR	71730FR	72330FR				CS8469A

Product Dimensions Inches (mm)



7420B



7774CR