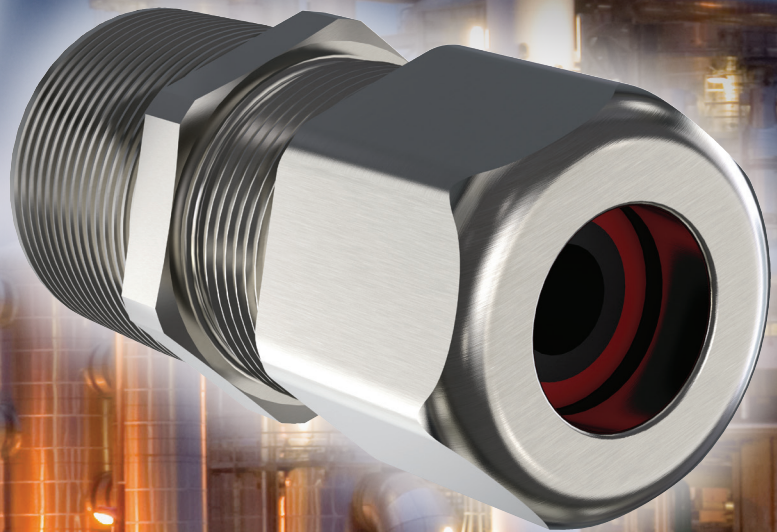




CGB Series

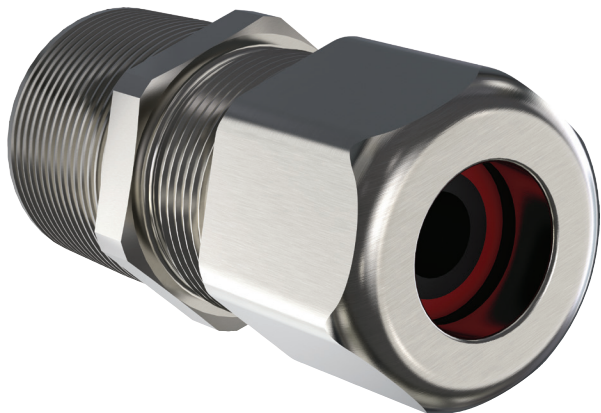
A Revolutionary Cable Gland



KILLARK



CGB SERIES

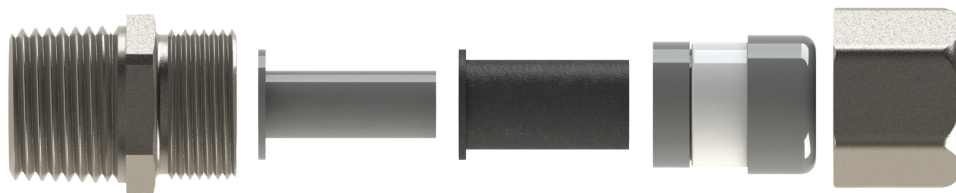


Suitable for use in Class 1 Div. 2 locations when installed in accordance with NEC 501.10b

TYPE 1, 3, 3R, 4, 4X, 12

IP66

Ta -40°C +100°C



On-site removable grommets

FEATURES-SPECIFICATIONS

Features

- Revolutionary design accepts a broader range of cable diameters
- Sealing grommets are field removable to adjust to multiple cable ranges and cable diameter variances
- Eliminates carrying numerous amounts of different CGB type connectors for job sites
- Robust design for superior seal and strain relief
- Available in sizes ranging from 1/2" to 4" NPT
- No slip rings needed

Materials/Finishes

- Nut/Body – Steel, Aluminum, Nickel plated Brass, 316 Stainless steel
- Seals – Chloroprene
- Sealing Ring – Nylon
- Ordering Logic – add suffix - SA (aluminum) NB (nickel plated brass) SS (316L stainless steel) to ending of logic

Cable Types

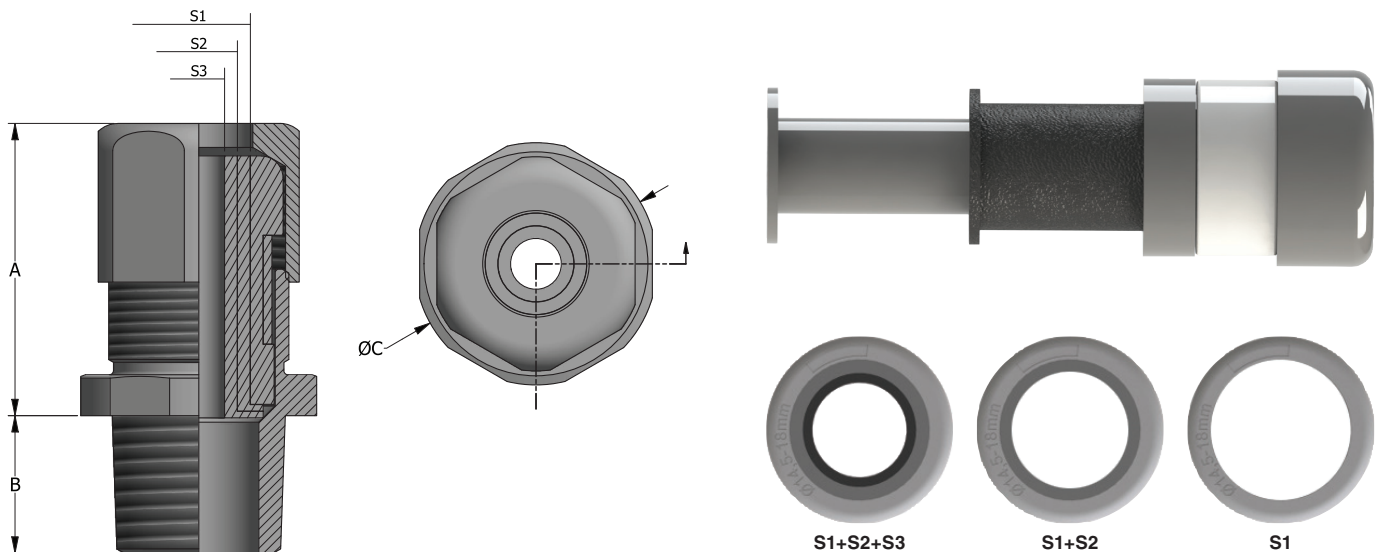
- Flexible cord Types: S, SO, STO, SJ, SJT, SJTO, and SVO
- Tray Cables Types: TC, TC-ER, TC-ER-HL, ITC, ITC-ER, ITC-HL, PLTC- PLTC-ER

FITTINGS

CGB SERIES



PART NUMBER	HUB SIZE	CABLE TYPE	DIMENSIONS			(D) CLAMPING RANGE Ø MIN-MAX	S1+S2+S3	S1+S2	S1
			(A) MAX.	(B) MIN.	ACROSS THE CORNERS				
CGB115	1/2"	Flexible & Tray	1.34" (34)	.63" (16)	.964" (24.5)	.157"-.472" (4-12)	.157"-.236" (4-6)	.236"-.354" (6-9)	.354"-.472" (9-12)
CGB139	1/2"	Flexible & Tray	1.67" (42.5)	.63" (16)	1.28" (32.6)	.394"-.630" (10-16)	.394"-.472" (10-12)	.472"-.571" (12-14,5)	.571"-.630" (14,5-16)
CGB215	3/4"	Flexible & Tray	1.34" (34)	.63" (16)	1.28" (32.6)	1.57"-.472" (4-12)	.157"-.236" (4-6)	.236"-.354" (6-9)	.354"-.472" (9-12)
CGB239	3/4"	Flexible & Tray	1.67" (42.5)	.63" (16)	1.28" (32.6)	.394"-.709" (10-18)	.394"-.472" (10-12)	.472"-.571" (12-14,5)	.571"-.709" (14,5-18)
CGB255	3/4"	Flexible & Tray	1.77" (45)	.79" (20)	1.57" (40)	.551"-.945" (14-20)	.551"-.669" (14-17)	.669"-.945" (17-20)	—
CGB339	1"	Flexible & Tray	1.69" (43)	.79" (20)	1.57" (40)	.394"-.709" (10-18)	.394"-.472" (10-12)	.472"-.571" (12-14,5)	.571"-.709" (14,5-18)
CGB355	1"	Flexible & Tray	1.77" (45)	.79" (20)	1.57" (40)	.551"-.945" (14-24)	.551"-.669" (14-17)	.669"-.945" (17-20)	.787"-.945" (20-24)
CGB386	1"	Flexible & Tray	1.97" (50)	.79" (20)	2" (51)	.866"-1.02" (22-26)	.866"-.945" (22-24)	.945"-1.02" (24-26)	—
CGB455	1-1/4"	Flexible & Tray	1.77" (45)	.79" (20)	2" (51)	.551"-.945" (14-24)	.551"-.669" (14-17)	.669"-.945" (17-20)	.787"-.945" (20-24)
CGB486	1-1/4"	Flexible & Tray	1.89" (48.5)	.79" (20)	2" (51)	.866"-1.26" (22-32)	.866"-.945" (22-24)	.945"-1.06" (24-27)	1.06"-1.26" (27-32)
CGB4102	1-1/4"	Flexible & Tray	1.89" (48.5)	.79" (20)	2.20" (56)	1.02"-1.34" (26-34)	1.02"-1.10" (26-28)	1.10"-1.22" (28-31)	1.22"-1.34" (31-34)
CGB586	1-1/2"	Flexible & Tray	1.89" (48.5)	.79" (20)	2.40" (61)	.866"-1.26" (22-32)	.866"-.945" (22-24)	.945"-1.06" (24-27)	1.06"-1.26" (27-32)
CGB5102	1-1/2"	Flexible & Tray	1.95" (49.5)	.79" (20)	2.40" (61)	1.02"-1.378" (26-35)	1.02"-1.10" (26-28)	1.10"-1.22" (28-31)	1.22"-1.378" (31-35)
CGB5138	1-1/2"	Flexible & Tray	1.89" (48.5)	.79" (20)	2.75" (70)	1.378"-1.614" (35-41)	1.378"-1.50" (35-38)	1.50"-1.61" (38-41)	—
CGB6102	2"	Flexible & Tray	1.95" (49.5)	.79" (20)	2.95" (75)	1.02"-1.378" (26-35)	1.02"-1.10" (26-28)	1.10"-1.22" (28-31)	1.22"-1.378" (31-35)
CGB6138	2"	Flexible & Tray	1.89" (48.5)	.79" (20)	2.95" (75)	1.378"-1.772" (35-45)	1.378"-1.50" (35-38)	1.50"-1.61" (38-41)	1.61"-1.772" (41-45)
CGB6181	2"	Flexible & Tray	2.24" (57)	.79" (20)	3.27" (83)	1.811"-2.047" (46-52)	1.811"-1.89" (46-48)	1.89"-2.047" (48-52)	—
CGB7138	2-1/2"	Flexible & Tray	1.89" (48.5)	.83" (21)	3.50" (89)	1.378"-1.772" (35-45)	1.378"-1.50" (35-38)	1.50"-1.61" (38-41)	1.61"-1.772" (41-45)
CGB7181	2-1/2"	Tray	2.11" (53.5)	.83" (21)	3.50" (89)	1.811"-2.441" (46-62)	1.811"-2.01" (46-51)	2.01"-2.20" (51-56)	2.20"-2.441" (56-62)
CGB7236	2-1/2"	Tray	2.24" (57)	.83" (21)	4.13" (105)	2.362"-2.52" (60-64)	2.362"-2.52" (60-64)	—	—
CGB8181	3"	Tray	2.11" (53.5)	.83" (21)	4.13" (105)	1.811"-2.441" (46-62)	1.811"-2.01" (46-51)	2.01"-2.20" (51-56)	2.20"-2.441" (56-62)
CGB8236	3"	Tray	2.24" (57)	.83" (21)	4.13" (105)	2.362"-2.953" (60-75)	2.362"-2.56" (60-65)	2.56"-2.756" (65-70)	2.756"-2.953" (70-75)
CGB8295	3"	Tray	2.20" (56)	.83" (21)	4.61" (117)	2.953"-3.13" (75-79)	2.953"-3.07" (75-78)	3.07"-3.13" (78-79)	—
CGB0236	4"	Tray	2.24" (57)	.83" (21)	5.04" (128)	2.362"-2.953" (60-75)	2.362"-2.56" (60-65)	2.56"-2.756" (65-70)	2.756"-2.953" (70-75)
CGB0295	4"	Tray	2.20" (56)	.83" (21)	5.04" (128)	2.953"-3.346" (75-85)	2.953"-3.07" (75-78)	3.13"-3.19" (78-81)	3.19"-3.346" (81-85)
CGB0334	4"	Tray	2.28" (58)	.83" (21)	5.04" (128)	3.346"-3.74" (85-95)	3.346"-3.464" (85-88)	3.464"-3.58" (88-91)	3.58"-3.74" (91-95)





KILLARK®

Hubbell Canada

870 Brock Road South
Pickering, ON L1W 1Z8
Phone: 1-800-465-7051

www.hubbell.ca