

NEMA4X Industrial high Lumen LED Emergency Light/Exit



U.S. Patents Pending

EMERGENCY LIGHTING

FEATURES

- Industrial LED based combination exit/emergency light for wall or ceiling mount application
- High impact white or black finish housing, covers and shield in polycarbonate
- Fully adjustable high output LED lamp-heads with easy adjustment feature
- Vandal Resistant hardware accessory kit available
- Includes NEMA 4X rating and UL Sanitation Certification for Food Processing
- Environmentally friendly, long-life Lithium Iron Phosphate battery
- Continuous lumen output over the full 90 minute discharge requirement
- Includes conduit entry through top and 1 side
- Temperature Range: 10°C to 50°C (50°F to 122°F),
Heater Option: -30°C to 50° (-22°F to 122°F)
- Listed to UL924 Standard, NEMA 4X/IP66 Certified

ORDERING INFORMATION

DYNC						
MODEL	FACES	LETTER COLOR	FINISH	CAPACITY	LAMP	OPTIONS
	S Single D Double	R Red G Green	W White B Black	6 6 Watts 12 12 Watts ¹	Blank 3 watt 06L 6 watt	-Blank NEMA 4X Rated -HTR Heater for Cold Temp. ³ -0 No head ^{4,5}

NOTES

1. Not available with -HTR option
2. Only available with 12W capacity models
3. Only available with 6W capacity models
4. No head runs 2 or 4 each 3W remote lamps
5. Only available with 12W model

INPUT POWER CONSUMPTION

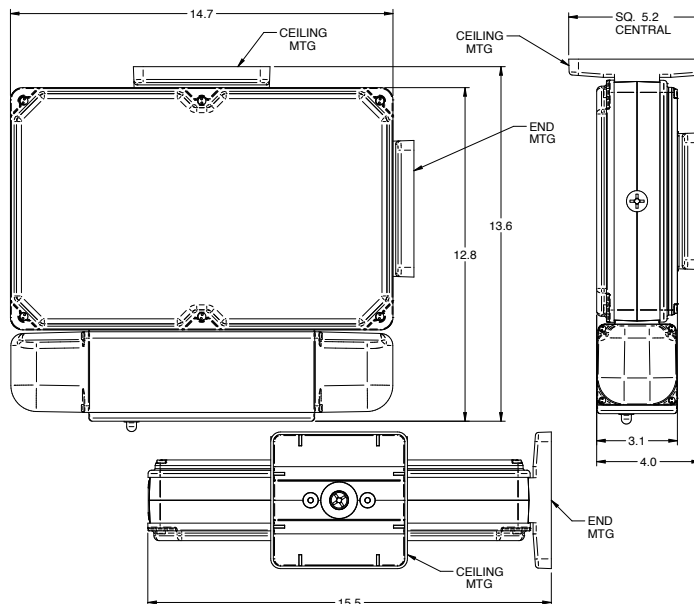
	INPUT VOLTS	CURRENT	MAXIMUM WATTAGE
DYN6	120	0.03	3.40
	277	0.04	3.49
DYN6 with heater	120	0.18	20.94
	277	0.08	21.13
DYN12	120	0.05	5.98
	277	0.04	6.52
DYN12 with heater	120	0.21	25.30
	277	0.09	25.60

Maintenance Mode Power Consumption -
120 VAC - 0.33W; 277VAC - 0.36W

ELECTRONICS

- 120 through 277VAC input at 50/60Hz with Intelligent 2 wire input connection
- AC lockout and Low Voltage disconnect
- Battery re-charge within 24 hours
- Self-Test/Self-Diagnostic circuitry
- Optional Heater Circuitry
- Optional remote capacity to run matching remote heads with 12W capacity model
- Brownout detection at 80% of nominal input voltage

DIMENSIONS



MATCHING REMOTE FIXTURE

REMOTE HEADS

DYNRS-4X	NEMA4X Rated Single Head Remote
DYNRD-4X	NEMA4X Rated Double Head Remote
DYNRS-4X-FP	Food Processing rated Single Head Remote
DYNRD-4X-FP	Food Processing rated Double Head Remote



DYN Remote