

# EV4D-02WAL

## Architectural LED Emergency Light

EMERGENCY LIGHTING



### FEATURES

- Architectural LED based emergency light for wall or ceiling commercial application
- Custom lens achieves 50' multiple unit spacing when applied at 7.5',
- High impact, flame rated and UV stable white thermoplastic housing
- Adjustable high output LED lamp-heads for mounting from 7.5' to 12'
- Environmentally Friendly Nickel Metal Hydride Battery
- Includes top mount conduit entry
- Temperature Range: 20°C to 30°C (68°F to 86°F), damp: 10°C to 40°C (50°F to 104°F)
- UL924 Damp Listed

### ORDERING INFORMATION

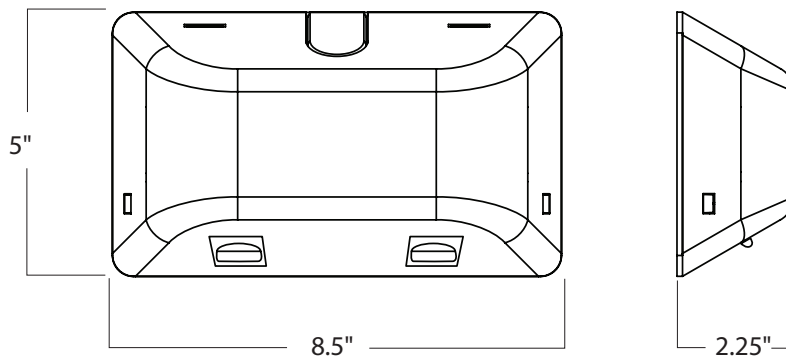
EV				-	
<b>MODEL</b>	<b>CAPACITY</b>	<b>RATING</b>	<b>SELF DIAGNOSTICS</b>		<b>OPTIONS</b>
	4 4 Watts	D Damp Listed	Blank No Self-Diagnostics I Spectron® Self-Test/Self-Diagnostics		B Black Finish O2WAL 2W LED lamps with Wide Area Lens

### INPUT POWER CONSUMPTION

	INPUT VOLTS	HZ	AMPS	WATTS
EV4D	120	60	0.022	2.00
	277	60	0.014	2.75

Maintenance Mode Power Consumption less than 0.5 watts

### DIMENSIONS

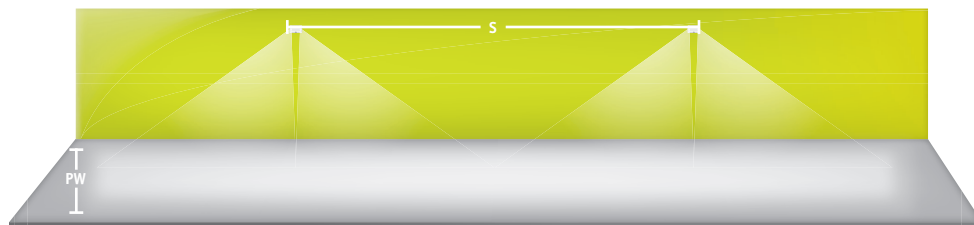


### ELECTRONICS

- 120/277VAC input with Intelligent 2 wire connection
- AC lockout and Low Voltage disconnect
- Battery re-charge within 24 hours
- Optional Self-Test/Self-Diagnostic circuitry

### ACCESSORIES

MODEL	DESCRIPTION
VRS3	Vandal Resistant Shield
WGLZ	Wire Guard



### 2W WIDE AREA LENS

Path Width (PW)	Spacing (S)
6'	50'