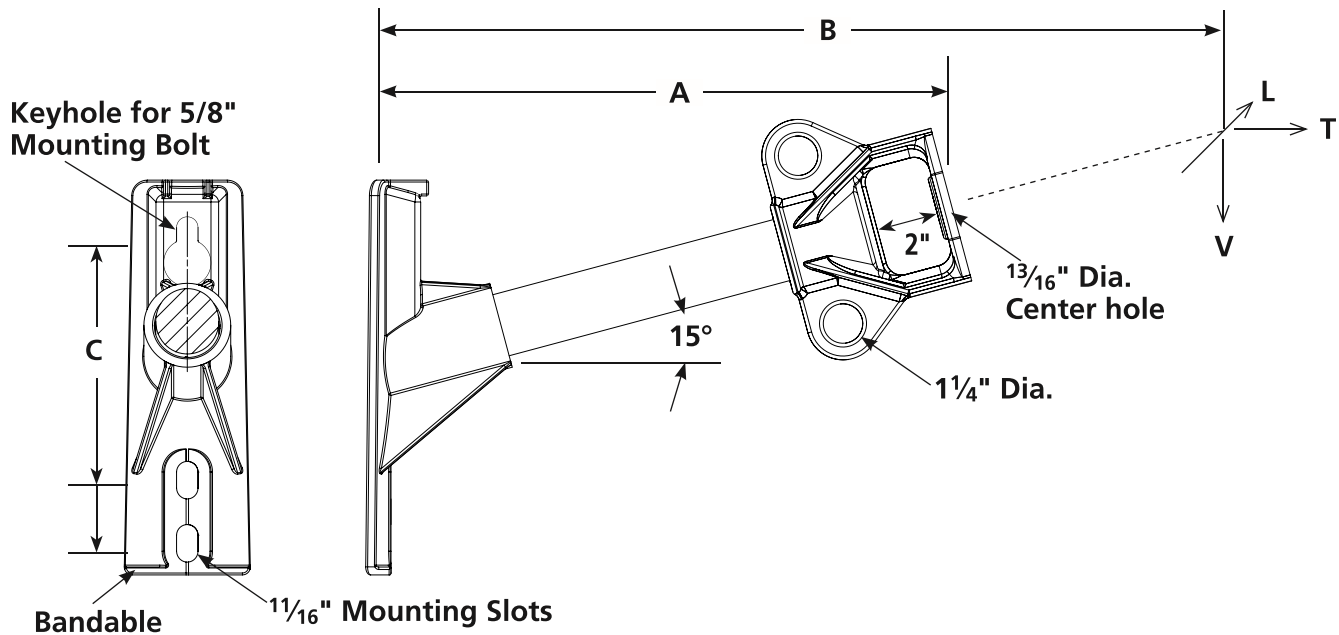


# Fiberglass Single-Phase Horizontal Line Post Insulator Bracket (15°)



- Base is hot-dip galvanized ductile iron.
- End fitting is aluminum alloy.
- C Dimension is 8" & 10"

Catalog Number	Length A	Length B	Minimum Ultimate*			Weight (Each)
			Vertical V	Longitudinal L	Transverse T	
<b>Heavy Duty 2" Diameter Fiberglass Rod</b>						
1SBH11PF	11" (28.0 cm)	20.4" (51.8 cm)	2200 lb. (998 kg)	1950 lb. (885 kg)	2500 lb. (1134 kg)	12.3 lb. (5.6 kg)
1SBH12PF	12" (30.5 cm)	21.4" (54.4 cm)	2150 lb. (975 kg)	1900 lb. (862 kg)	2500 lb. (1134 kg)	12.5 lb. (5.7 kg)
1SBH14PF	14" (35.6 cm)	23.4" (59.4 cm)	2100 lb. (953 kg)	1850 lb. (839 kg)	2500 lb. (1134 kg)	12.9 lb. (5.9 kg)
1SBH17PF	17" (43.2 cm)	26.4" (67.1 cm)	1800 lb. (816 kg)	1600 lb. (726 kg)	2500 lb. (1134 kg)	13.6 lb. (6.2 kg)
1SBH18PF	18" (45.7 cm)	27.4" (69.6 cm)	1750 lb. (794 kg)	1550 lb. (703 kg)	2500 lb. (1134 kg)	13.9 lb. (6.3 kg)
1SBH21PF	21" (53.3 cm)	30.4" (77.2 cm)	1550 lb. (703 kg)	1350 lb. (612 kg)	2500 lb. (1134 kg)	14.5 lb. (6.6 kg)
1SBH23PF	23" (58.4 cm)	32.4" (82.3 cm)	1500 lb. (680 kg)	1250 lb. (567 kg)	2500 lb. (1134 kg)	15.0 lb. (6.8 kg)
1SBH29PF	29" (73.7 cm)	38.4" (97.5 cm)	1300 lb. (590 kg)	1000 lb. (454 kg)	2500 lb. (1134 kg)	16.3 lb. (7.4 kg)
1SBH31PF	31" (78.7 cm)	40.4" (102.6 cm)	1200 lb. (544 kg)	900 lb. (408 kg)	2500 lb. (1134 kg)	16.8 lb. (7.6 kg)
1SBH35PF	35" (89.0 cm)	44.4" (112.8 cm)	1100 lb. (499 kg)	750 lb. (340 kg)	2500 lb. (1134 kg)	17.7 lb. (8.0 kg)

\*Recommended maximum working load is 50% of minimum ultimate ratings listed.  
 Consult factory for additional lengths.  
 Add "SC" suffix to the end of the catalog number to denote Silicone Coated rod

