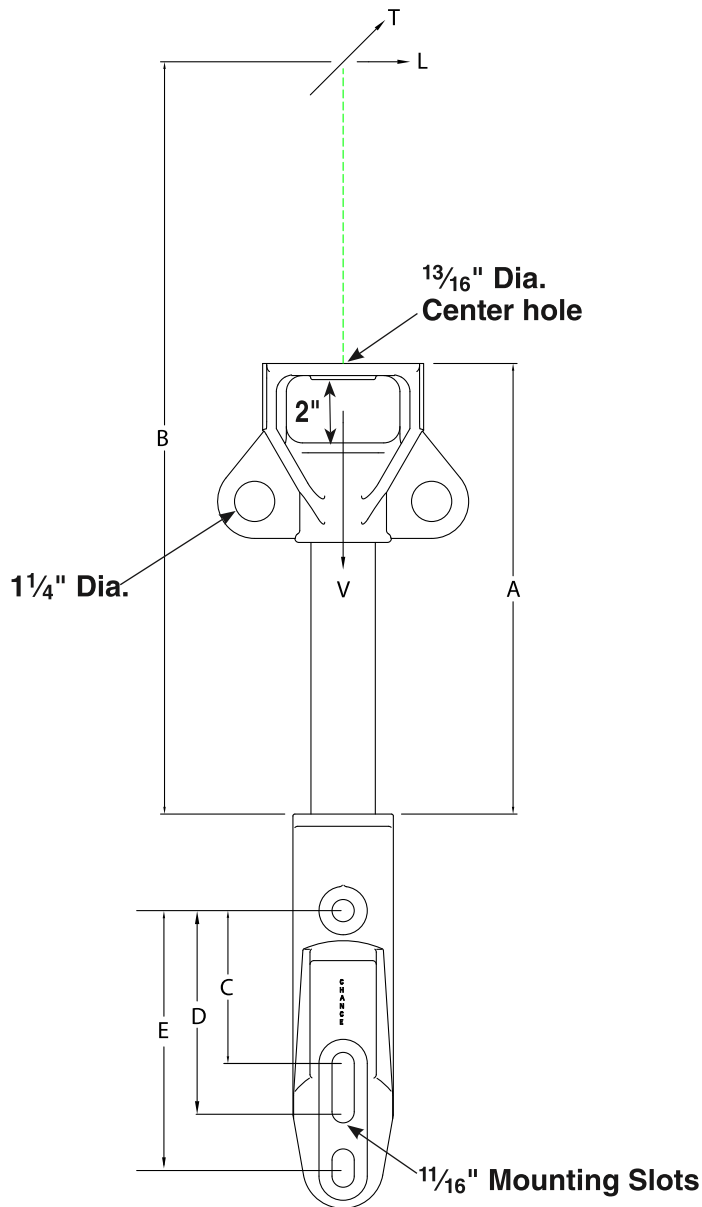


Fiberglass Single-Phase **CHANCE**[®] Vertical Line Post Insulator Bracket



- C Dimension is 5"
- D Dimension is 6"
- E Dimension is 8"

• Base is hot-dip galvanized ductile iron.

• End fitting is aluminum alloy.

Catalog Number	Length A	Length B	Minimum Ultimate*			Weight (Each)
			Vertical V	Longitudinal L	Transverse T	
Heavy Duty 2" Diameter Fiberglass Rod						
RPH10PF	10" (25.4 cm)	19.4" (49.2 cm)	5000 lb. (2268 kg)	2000 lb. (907 kg)	2000 lb. (907 kg)	10.3 lb. (4.7 kg)
RPH14PF	14" (35.6 cm)	23.4" (59.4 cm)	5000 lb. (2268 kg)	2000 lb. (907 kg)	2000 lb. (907 kg)	11.2 lb. (5.1 kg)
RPH17PF	17" (43.2 cm)	26.4" (67.0 cm)	5000 lb. (2268 kg)	1500 lb. (680 kg)	1500 lb. (680 kg)	11.0 lb. (5.0 kg)
RPH18PF	18" (45.7 cm)	27.4" (69.6 cm)	5000 lb. (2268 kg)	1500 lb. (680 kg)	1500 lb. (680 kg)	12.1 lb. (5.5 kg)
RPH24PF	24" (61.0 cm)	33.4" (84.8 cm)	5000 lb. (2268 kg)	1500 lb. (680 kg)	1500 lb. (680 kg)	13.4 lb. (6.1 kg)

*Recommended maximum working load is 50% of minimum ultimate ratings listed.
 Consult factory for additional lengths.
 Add "SC" suffix to the end of the catalog number to denote Silicone Coated rod

