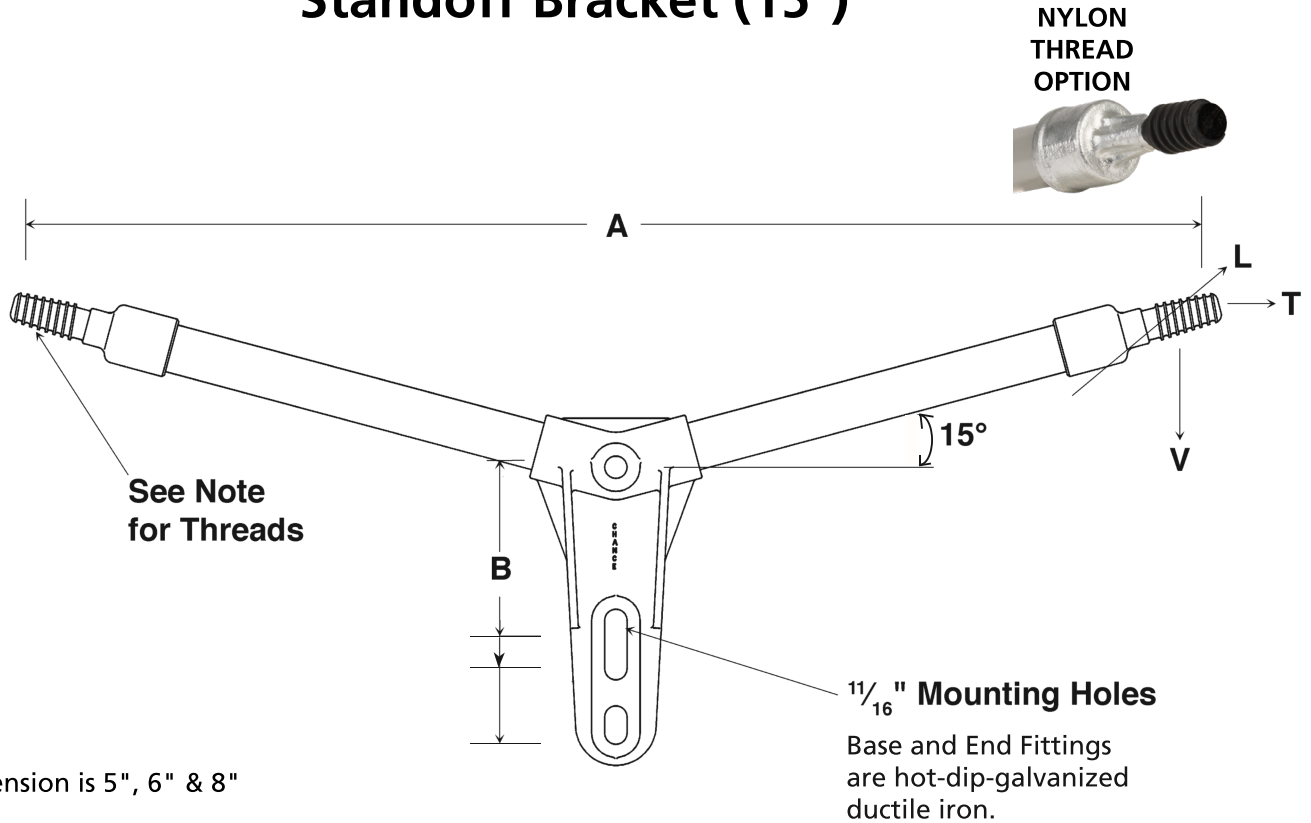


Two-Phase Horizontal Pin Standoff Bracket (15°)



B Dimension is 5", 6" & 8"

Catalog Number	Length A	Minimum Ultimate*			Weight (Each)
		Vertical V	Longitudinal L	Transverse T	
Medium Duty 1½" (38 mm) Dia. Fiberglass Rod					
2SBM36HH1	36" (91.4 cm)	1200 lbs. (544 kg)	1200 lbs. (544 kg)	1500 lbs. (680 kg)	9.8 lbs. (4.4 kg)
Heavy Duty 2" (51 mm) Dia. Fiberglass Rod					
2SBH36HH1	36" (91.4 cm)	2550 lbs. (1156 kg)	2000 lbs. (907 kg)	2500 lbs. (1134 kg)	14.9 lbs. (6.7 kg)
2SBH40HH1	40" (101.6 cm)	2400 lbs. (1089 kg)	1950 lbs. (885 kg)	2500 lbs. (1134 kg)	15.8 lbs. (7.1 kg)
2SBH48HH1	48" (121.9 cm)	2250 lbs. (1021 kg)	1900 lbs. (862 kg)	2500 lbs. (1134 kg)	17.6 lbs. (7.9 kg)

*Recommended maximum working load is 50% of minimum ultimate ratings listed.

2SB—HH1 series has 1" plastisol coated threads

For 1" Nylon threads, replace "HH1" in number with "HH2"

For 1" lead threads, replace "HH1" in number with "HH3"

For 1.375" lead threads, replace "HH1" in number with "HH4"

Consult factory for additional lengths.

Add "SC" suffix to the end of the catalog number to denote Silicone Coated rod