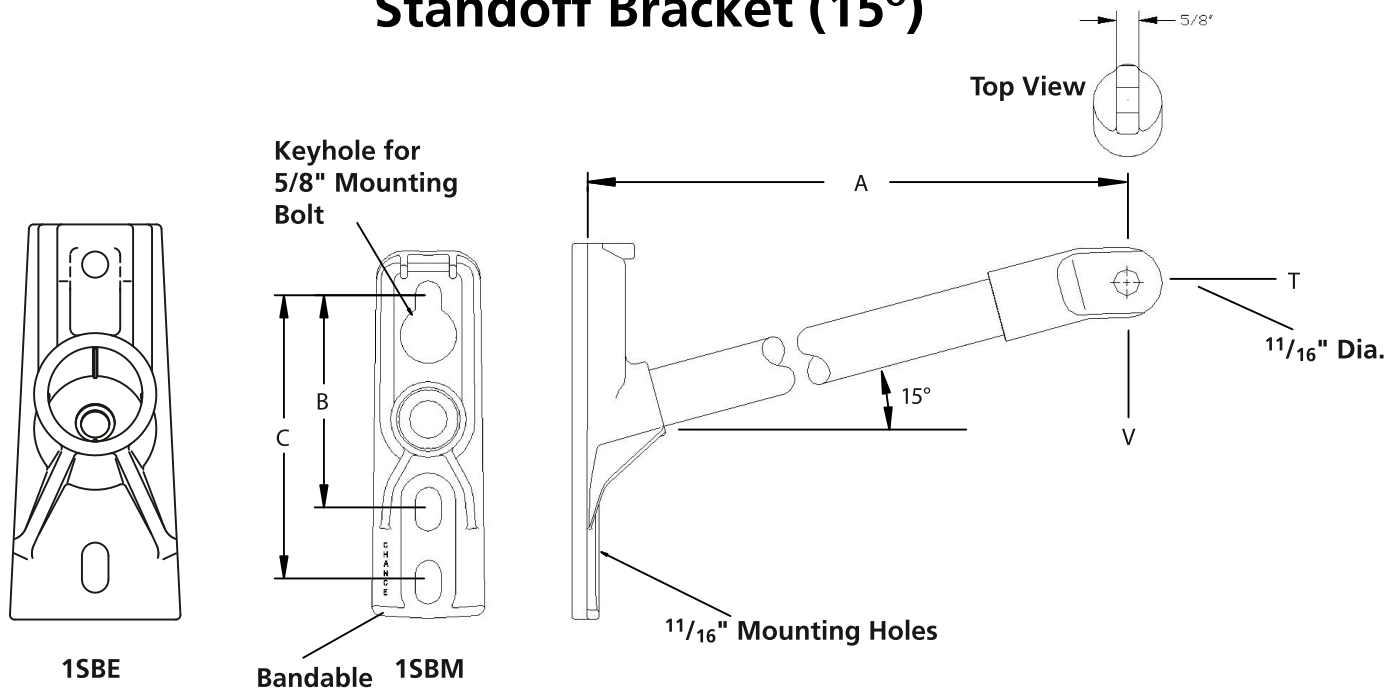


## Single-Phase Suspension Standoff Bracket (15°)



B Dimension is 6" for 1SBM series and 8" for 1SBE series  
 C Dimension is 8" for 1SBM series

Base and End Fitting are hot-dip-galvanized ductile iron.

Catalog Number	Length A	Minimum Ultimate*		Weight (Each)
		Vertical V	Transverse T	
<b>Medium Duty 1 1/2" (38 mm) Dia. Fiberglass Rod</b>				
1SBM125	12" (30.5 cm)	1800 lbs. (817 kg)	10,000 lbs. (4536 kg)	5.3 lbs. (2.4 kg)
1SBM155	15" (38.1 cm)	1500 lbs. (680 kg)	10,000 lbs. (4536 kg)	5.6 lbs. (2.5 kg)
1SBM185	18" (45.7 cm)	1200 lbs. (544 kg)	10,000 lbs. (4536 kg)	6.0 lbs. (2.7 kg)
1SBM215	21" (53.3 cm)	1050 lbs. (476 kg)	10,000 lbs. (4536 kg)	6.4 lbs. (2.9 kg)
1SBM245	24" (61.0 cm)	900 lbs. (408 kg)	10,000 lbs. (4536 kg)	6.7 lbs. (3.0 kg)
<b>Extra Heavy Duty 2 1/2" (63.5 mm) Dia. Fiberglass Rod</b>				
1SBE20S	20" (50.8 cm)	5000 lbs. (2268 kg)	10,000 lbs. (4536 kg)	12.1 lbs. (5.4 kg)
1SBE24S	24" (61.0 cm)	4000 lbs. (1814 kg)	10,000 lbs. (4536 kg)	13.5 lbs. (6.1 kg)
1SBE27S	27" (68.6 cm)	3700 lbs. (1678 kg)	10,000 lbs. (4536 kg)	14.5 lbs. (6.5 kg)
1SBE30S	30" (76.2 cm)	3500 lbs. (1588 kg)	10,000 lbs. (4536 kg)	15.5 lbs. (7.0 kg)
1SBE36S	36" (91.4 cm)	3000 lbs. (1361 kg)	10,000 lbs. (4536 kg)	17.6 lbs. (7.9 kg)

\*Recommended maximum working load is 50% of minimum ultimate ratings listed.  
 Consult factory for additional lengths.