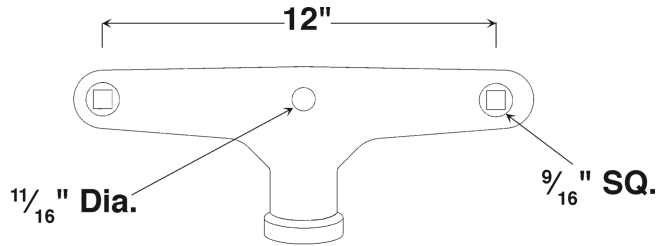
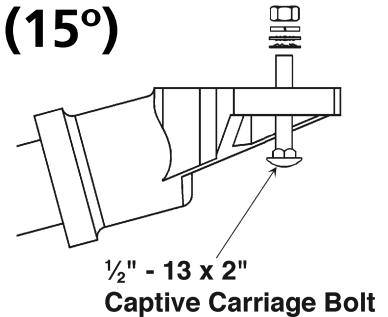


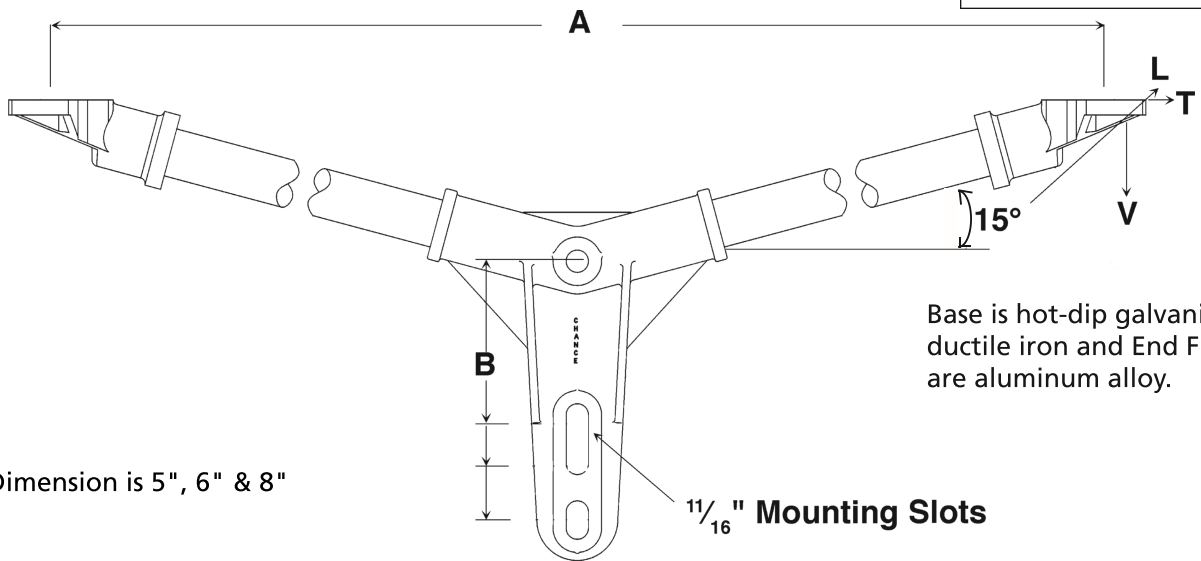
2 Position Two-Phase Cutout / Arrester Bracket (15°)



2SBM—AMT Series



**2SB—AMTB Series
includes bolt, nut
and washers**



B Dimension is 5", 6" & 8"

Base is hot-dip galvanized ductile iron and End Fittings are aluminum alloy.

Catalog Number	Length A	Minimum Ultimate*			Weight (Each)
		Vertical V	Longitudinal L	Transverse T	
Medium Duty 1½" (38 mm) Dia. Fiberglass Rod					
2SBM36AMTAMT	36" (91.4 cm)	1200 lbs. (544 kg)	900 lbs. (408 kg)	10,000 lbs. (4536 kg)	12.6 lbs. (5.7 kg)
2SBM42AMTAMT	42" (106.7 cm)	950 lbs. (431 kg)	700 lbs. (318 kg)	10,000 lbs. (4536 kg)	13.3 lbs. (6.0 kg)
2SBM48AMTAMT	48" (121.9 cm)	900 lbs. (408 kg)	600 lbs. (272 kg)	10,000 lbs. (4536 kg)	14.1 lbs. (6.4 kg)
2SBM36AMTBAMTB	36" (91.4 cm)	1200 lbs. (544 kg)	900 lbs. (408 kg)	10,000 lbs. (4536 kg)	12.6 lbs. (5.7 kg)
2SBM42AMTBAMTB	42" (106.7 cm)	950 lbs. (431 kg)	700 lbs. (318 kg)	10,000 lbs. (4536 kg)	13.3 lbs. (6.0 kg)
2SBM48AMTBAMTB	48" (121.9 cm)	900 lbs. (408 kg)	600 lbs. (272 kg)	10,000 lbs. (4536 kg)	14.1 lbs. (6.4 kg)
Heavy Duty 2" (51 mm) Dia. Fiberglass Rod					
2SBH36AMTAMT	36" (91.4 cm)	2300 lbs. (1043 kg)	1800 lbs. (816 kg)	10,000 lbs. (4536 kg)	20.2 lbs. (9.2 kg)
2SBH42AMTAMT	42" (106.7 cm)	2000 lbs. (907 kg)	1600 lbs. (726 kg)	10,000 lbs. (4536 kg)	21.3 lbs. (9.6 kg)
2SBH48AMTAMT	48" (121.9 cm)	1750 lbs. (794 kg)	1400 lbs. (635 kg)	10,000 lbs. (4536 kg)	23.7 lbs. (10.8 kg)
2SBH36AMTBAMTB	36" (91.4 cm)	2300 lbs. (1043 kg)	1800 lbs. (816 kg)	10,000 lbs. (4536 kg)	20.2 lbs. (9.2 kg)
2SBH42AMTBAMTB	42" (106.7 cm)	2000 lbs. (907 kg)	1600 lbs. (726 kg)	10,000 lbs. (4536 kg)	21.3 lbs. (9.6 kg)
2SBH48AMTBAMTB	48" (121.9 cm)	1750 lbs. (794 kg)	1400 lbs. (635 kg)	10,000 lbs. (4536 kg)	23.7 lbs. (10.8 kg)

*Recommended maximum working load is 50% of minimum ultimate ratings listed.

Consult factory for additional lengths.

Add "SC" suffix to the end of the catalog number to denote Silicone Coated rod

