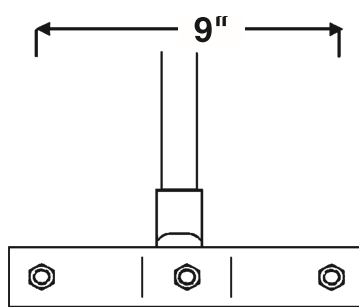
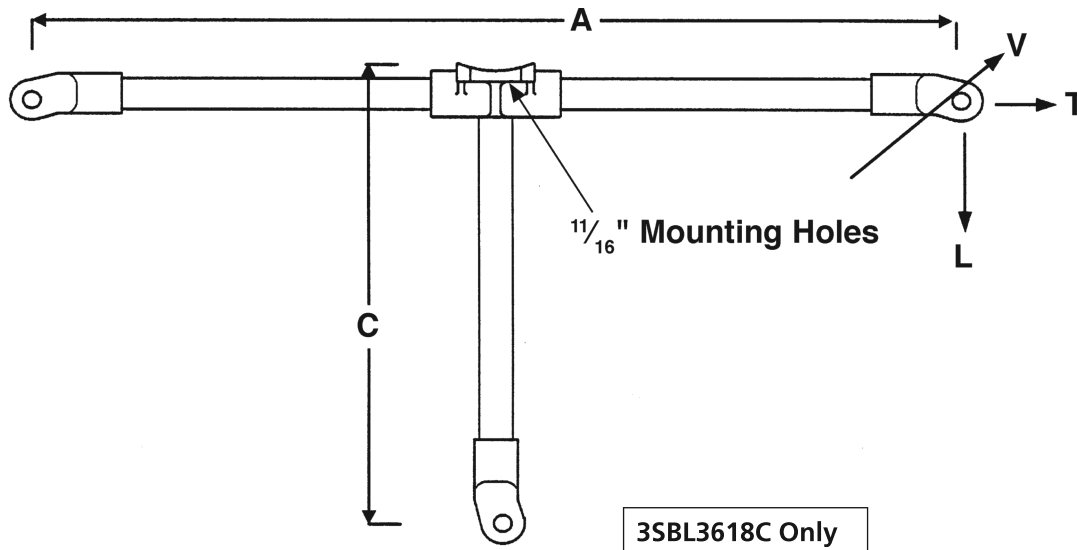
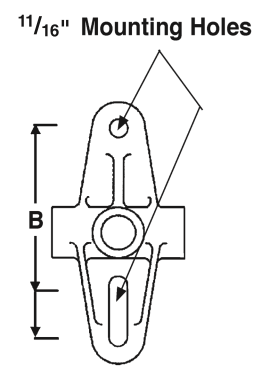


1 (2) Position Three-Phase Cutout / Arrester Bracket (0°)



Base and End Fittings are aluminum alloy.



B Dimension is 6" & 8"

Catalog Number	Length A	Length C	Minimum Ultimate*			Weight (Each)
			Vertical V	Longitudinal L	Transverse T	
Light Duty 1 1/4" (32 mm) Dia. Fiberglass Rod						
3SBL3618C	36" (91.4 cm)	18" (45.7 cm)	1000 lbs. (454 kg)	900 lbs. (408 kg)	1000 lbs. (454 kg)	10.0 lbs. (4.5 kg)
3SBL3618CSB	36" (91.4 cm)	18" (45.7 cm)	1000 lbs. (454 kg)	900 lbs. (408 kg)	1000 lbs. (454 kg)	17.5 lbs. (7.9 kg)

*Recommended maximum working load is 50% of minimum ultimate ratings listed.

