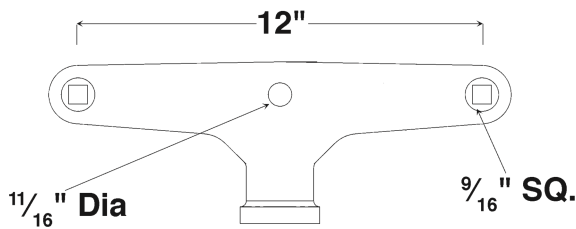
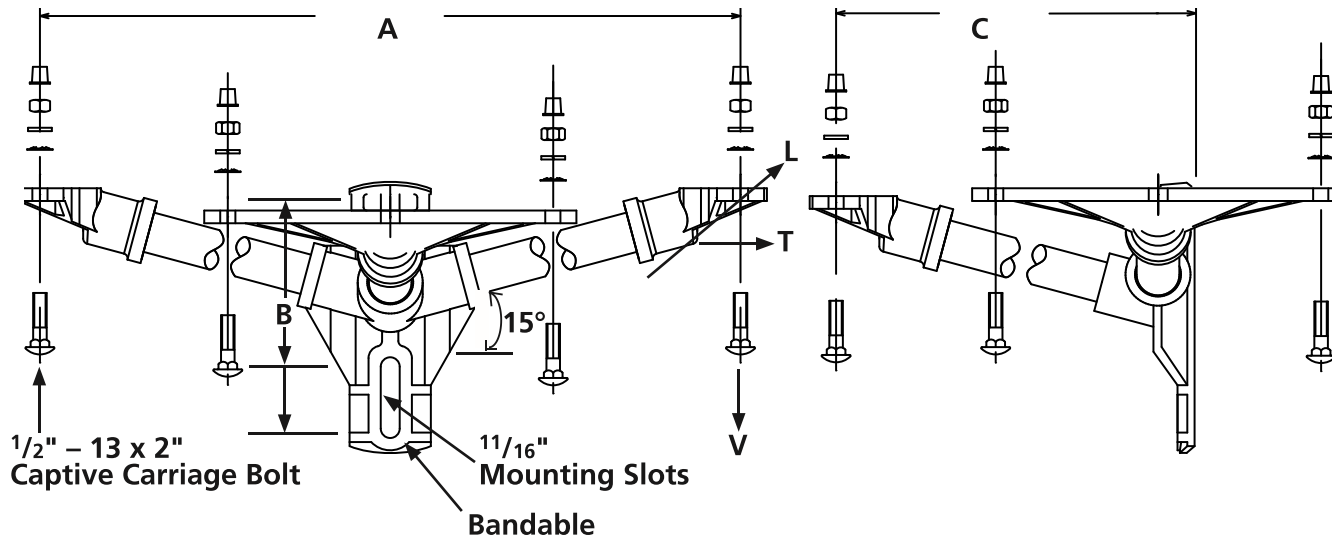


2 Position Three-Phase Cutout / Arrester Bracket (15°)



Base and End Fittings are aluminum alloy.

B Dimension is 6" & 8"

3SBM—AMTB Series
includes bolt, nut
and washers

Catalog Number	Length A	Length C	Minimum Ultimate*			Weight (Each)
			Vertical V	Longitudinal L	Transverse T	
Medium Duty 1½" (38 mm) Dia. Fiberglass Rod						
3SBM3613AMT	36" (91.4 cm)	13" (33.0 cm)	1200 lbs (544 kg)	800 lbs. (363 kg)	10,000 lbs. (4500 kg)	19.6 lbs. (8.9 kg)
3SBM3618AMT	36" (91.4 cm)	18" (45.7 cm)	1200 lbs (544 kg)	800 lbs. (363 kg)	10,000 lbs. (4500 kg)	20.3 lbs. (9.2 kg)
3SBM4818AMT	48" (121.9 cm)	18" (45.7 cm)	900 lbs. (408 kg)	700 lbs. (318 kg)	10,000 lbs. (4500 kg)	22.5 lbs. (10.2 kg)
3SBM4824AMT	48" (121.9 cm)	24" (61.0 cm)	900 lbs. (408 kg)	700 lbs. (318 kg)	10,000 lbs. (4500 kg)	23.3 lbs. (10.7 kg)
3SBM3613AMTB	36" (91.4 cm)	13" (33.0 cm)	1200 lbs (544 kg)	800 lbs. (363 kg)	10,000 lbs. (4500 kg)	20.1 lbs. (9.1 kg)
3SBM3618AMTB	36" (91.4 cm)	18" (45.7 cm)	1200 lbs (544 kg)	800 lbs. (363 kg)	10,000 lbs. (4500 kg)	20.8 lbs. (9.4 kg)
3SBM4818AMTB	48" (121.9 cm)	18" (45.7 cm)	900 lbs. (408 kg)	700 lbs. (318 kg)	10,000 lbs. (4500 kg)	23.0 lbs. (10.4 kg)
3SBM4824AMTB	48" (121.9 cm)	24" (61.0 cm)	900 lbs. (408 kg)	700 lbs. (318 kg)	10,000 lbs. (4500 kg)	23.8 lbs. (10.8 kg)

*Recommended maximum working load is 50% of minimum ultimate ratings listed.

Consult factory for additional lengths.

Add "SC" suffix to the end of the catalog number to denote Silicone Coated rod