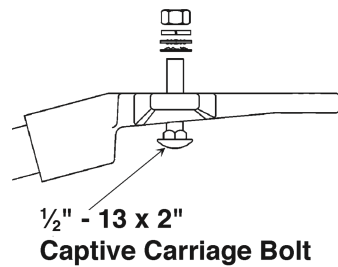
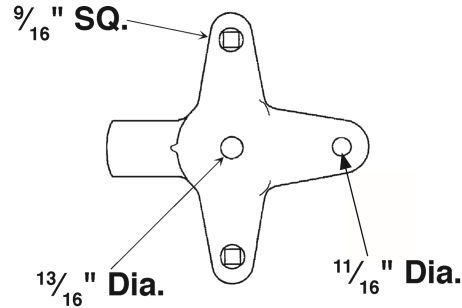


3 Position (Cloverleaf) Three-Phase Cutout / Arrester Bracket (15°)

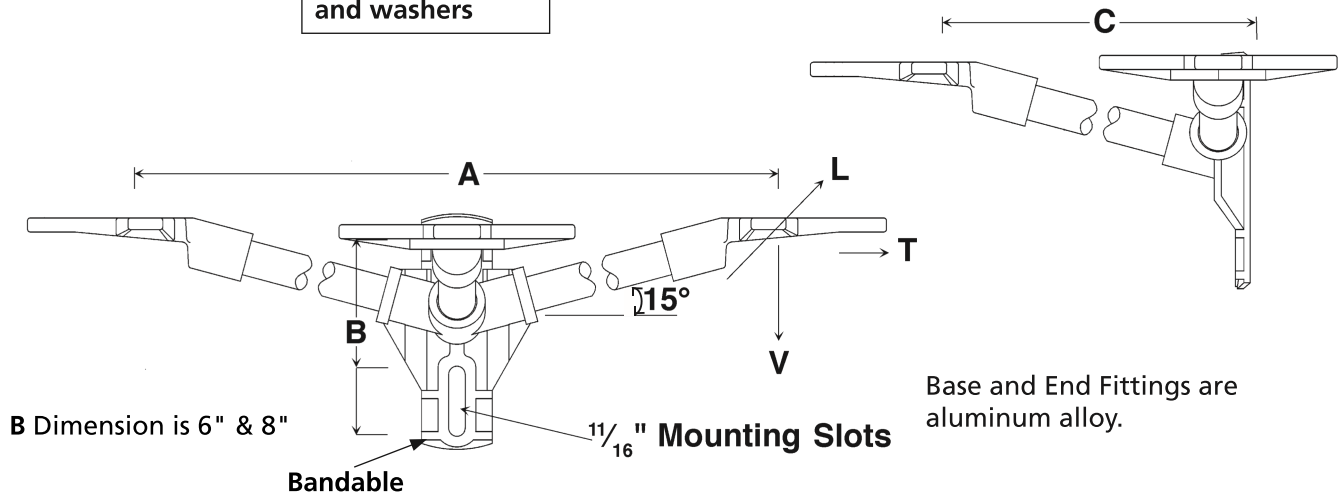


1/2" - 13 x 2"
Captive Carriage Bolt

3SB—CLH Series
includes bolt, nut
and washers



3SBM—CL Series



B Dimension is 6" & 8"

Base and End Fittings are
aluminum alloy.

Catalog Number	Length A	Length C	Minimum Ultimate*			Weight (Each)
			Vertical V	Longitudinal L	Transverse T	
Medium Duty 1 1/2" (38 mm) Dia. Fiberglass Rod						
3SBM3613CL	36" (91.4 cm)	13" (33.0 cm)	1200 lbs. (544 kg)	800 lbs. (363 kg)	10,000 lbs. (4536 kg)	20 lbs. (9.1 kg)
3SBM3618CL	36" (91.4 cm)	18" (45.7 cm)	1200 lbs. (544 kg)	800 lbs. (363 kg)	10,000 lbs. (4536 kg)	22 lbs. (9.9 kg)
3SBM4818CL	48" (121.9 cm)	18" (45.7 cm)	900 lbs. (408 kg)	800 lbs. (363 kg)	10,000 lbs. (4536 kg)	25 lbs. (11.3 kg)
3SBM3613CLRH	36" (91.4 cm)	13" (33.0 cm)	1200 lbs. (544 kg)	800 lbs. (363 kg)	10,000 lbs. (4536 kg)	20 lbs. (9.1 kg)
3SBM3618CLRH	36" (91.4 cm)	18" (45.7 cm)	1200 lbs. (544 kg)	800 lbs. (363 kg)	10,000 lbs. (4536 kg)	22 lbs. (9.9 kg)
3SBM4818CLRH	48" (121.9 cm)	18" (45.7 cm)	900 lbs. (408 kg)	800 lbs. (363 kg)	10,000 lbs. (4536 kg)	25 lbs. (11.3 kg)
3SBM3613CLH	36" (91.4 cm)	13" (33.0 cm)	1200 lbs. (544 kg)	800 lbs. (363 kg)	10,000 lbs. (4536 kg)	20 lbs. (9.1 kg)
3SBM3618CLH	36" (91.4 cm)	18" (45.7 cm)	1200 lbs. (544 kg)	800 lbs. (363 kg)	10,000 lbs. (4536 kg)	22 lbs. (9.9 kg)
3SBM4818CLH	48" (121.9 cm)	18" (45.7 cm)	900 lbs. (408 kg)	800 lbs. (363 kg)	10,000 lbs. (4536 kg)	25 lbs. (11.3 kg)

*Recommended maximum working load is 50% of minimum ultimate ratings listed.

Consult factory for additional lengths.

Add "SC" suffix to the end of the catalog number to denote Silicone Coated rod