



# DEADENDS AUTOMATIC GUY WIRE

ALUMINUM
GDE5100

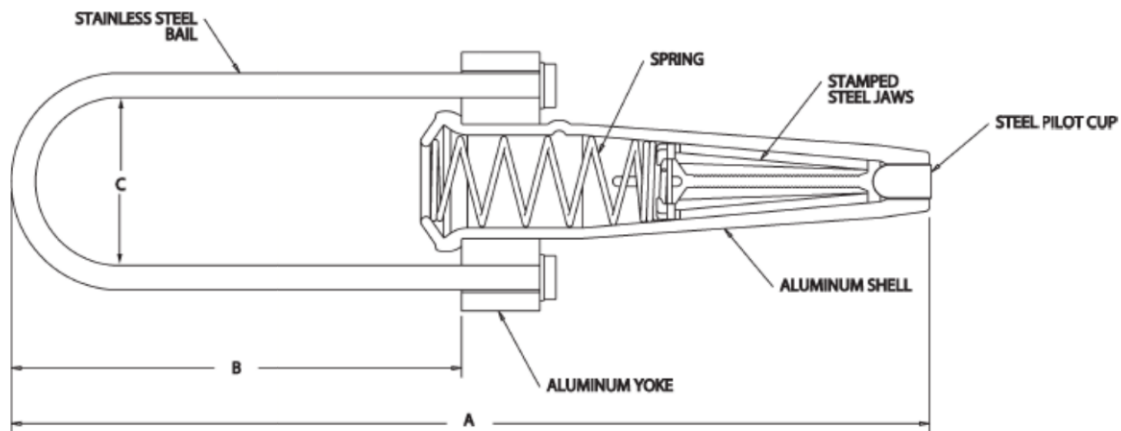
DA  
7

Fargo GDE5100 Series Automatic deadends are designed for use on High Strength, Common, Siemens-Martin, Utilities and Bell System Strand.

**Rating:** 90% of conductor breaking strength

**Note:** Consult factory for information on other applications.

**Material:** **Gripping Unit** – Stainless Steel  
**Yoke** – Aluminum Alloy  
**Bail** – Stainless Steel



## Product Data & Conductor Size

CATALOG NUMBER	PRIMARY STRAND APPLICATION	TO BE USED WITH:			RANGE IN. (MM)	DIMENSIONS IN. (MM)		
		EHS	AW/AWAC	HS, COM, S-M, UTIL, BELL		A	B	C
GDE5100	1/4" HS, Com, S-M, Util, Bell			•	0.240-0.253 (6.11-6.44)	9.2 (234)	5.7 (145)	1.4 (36)
GDE5100L	1/4" HS, Com, S-M, Util, Bell			•	0.240-0.253 (6.11-6.44)	12.7 (234)	9.2 (234)	1.4 (36)
GDE5101	5/16" HS, Com, S-M, Util, Bell			•	0.310-0.335 (7.89-8.53)	9.3 (236)	5.6 (142)	1.5 (38)
GDE5101L	5/16" HS, Com, S-M, Util, Bell			•	0.310-0.335 (7.89-8.53)	13.1 (333)	9.5 (241)	1.5 (38)
GDE5102	3/8" HS, Com, S-M, Util, Bell			•	0.360-0.405 (9.16-10.31)	11.5 (292)	7.1 (180)	2.0 (51)
GDE5102L	3/8" HS, Com, S-M, Util, Bell			•	0.360-0.405 (9.16-10.31)	16.5 (419)	12.0 (305)	2.0 (51)

NOTE: Suffix "L" Denotes Extended Bail.



# DEADENDS AUTOMATIC GUY WIRE

DA  
8

ALUMINUM  
**GDE5200**



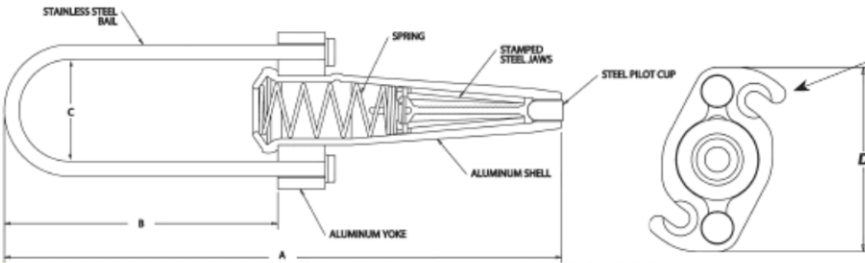
Fargo **GDE5200** Series Automatic deadends are designed for use on all grades of galvanized steel wire strand ... High Strength, Extra High Strength, Alumoweld®, Aluminized, Common, Siemens-Martin, Utilities and Bell System Strand.

**Rating:** 90% of conductor breaking strength

**INNOVATIVE YOKE DESIGN ALLOWS FOR INSTALLATION WITHOUT USE OF A GRIPPING HOOK.**

**Note:** Consult factory for information on other applications.

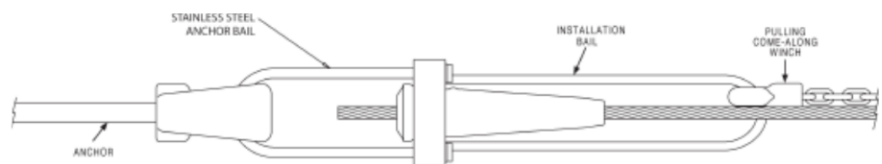
**Material:** **Gripping Unit** - Stainless Steel



## Product Data & Conductor Size

CATALOG NUMBER	PRIMARY STRAND APPLICATION	TO BE USED WITH:			RANGE IN. (MM)	DIMENSIONS IN. (MM)			
		EHS	AW/AWAC	HS, COM, S-M, UTIL, BELL		A	B	C	D
GDE5199	3/16" EHS (2.8M3) AW	•	•	•	0.145-0.215 (3.68-5.46)	10.0 (254)	5.7 (145)	1.6 (41)	2.7 (69)
GDE5200	1/4" EHS 7#12 (6M) AW	•	•	•	0.215-0.270 (5.46-6.86)	10.2 (259)	5.7 (145)	1.6 (41)	2.7 (69)
GDE5200L	1/4" EHS 7#12 (6M) AW	•	•	•	0.215-0.270 (5.46-6.86)	13.9 (353)	9.4 (239)	1.6 (41)	2.7 (69)
GDE5201	5/16" EHS 7#10 (10M), 7#11 (8M) AW	•	•	•	0.270-0.315 (6.86-8.00)	10.3 (262)	5.5 (140)	1.8 (46)	2.8 (71)
GDE5201L	5/16" EHS 7#10 (10M), 7#11 (8M) AW	•	•	•	0.270-0.315 (6.86-8.00)	15.6 (396)	10.8 (274)	1.8 (46)	2.8 (71)
GDE5202	3/8" EHS 3#5, 7#8, 7#9, 12.5M, 14M, 16M AW #4-2/5, #2-3/4, #1-5/2 AWAC®	•	•	•	0.325-0.392 (8.26-9.96)	13.0 (330)	7.1 (180)	2.1 (53)	3.5 (89)
GDE5202L	3/8" EHS 3#5, 7#8, 7#9, 12.5M, 14M, 16M AW #4-2/5, #2-3/4, #1-5/2 AWAC®	•	•	•	0.325-0.392 (8.26-9.96)	16.8 (427)	11.0 (279)	2.1 (53)	3.5 (89)
GDE5203	7/16" EHS 7#7 (20M), 18M AW #2-2/5, #1-3/4, #1/0-5/2 AWAC®	•	•	•	0.392-0.458 (9.96-11.63)	15.0 (381)	8.2 (208)	2.1 (53)	3.5 (89)
GDE5203L	7/16" EHS 7#7 (20M), 18M AW #2-2/5, #1-3/4, #1/0-5/2 AWAC®	•	•	•	0.392-0.458 (9.96-11.63)	18.7 (475)	12.3 (312)	2.1 (53)	3.8 (97)
GDE5204	1/2" EHS EHS, 25M AW #1-2/5, 1/0-3/4, #2/0-5/2 AWAC, #2/0-4/3 AWAC	•	•	•	0.455-0.520 (11.56-13.21)	16.0 (406)	10.3 (262)	2.1 (53)	4.1 (104)
GDE5204L	1/2" EHS EHS, 25M AW #1-2/5, 1/0-3/4, #2/0-5/2 AWAC, #2/0-4/3 AWAC	•	•	•	0.455-0.520 (11.56-13.21)	20.1 (511)	14.5 (368)	2.1 (53)	4.1 (104)

INSTALLATION BAIL	PART NO.
Bail for GDE5199	PS3005200
Bail for GDE5200 / GDE5200L	PS3005200
Bail for GDE5201 / GDE5201L	PS3005521
Bail for GDE5202 / GDE5202L	3005152
Bail for GDE5203 / GDE5203L	3005527
Bail for GDE5204 / GDE5204L	PS3005524



**Typical Installation with 2nd Bail**

Notes: Suffix "L" denotes extended bail.  
Alumoweld® is a registered trademark of the United States Alumoweld Company, LLC (AFL).  
AWAC® is a registered trademark of Fushi Copperweld Inc.