

## THREADED ENCLOSURES



Box with blank cover



Box with lens cover



Box with dome cover



### GR

Empty Enclosures

#### NEC / CEC Certifications

Class I, Div. 1 & 2, Groups B, C, & D

Class I Zone 1 IIB+H2 Gb

Class II, Div. 1 & 2, Groups E, F, & G

Class III

Type 3, 4, 4X

Ta = -25°C to +40°C (UL)

Ta = -50°C to +40°C (CSA)

File E83969, File E10514

Certificate LR11716 - 1820607

File 2Y4A5.AE



#### ATEX / IEC Ex Certificate



II 2 G D CE 2813

Ex d IIC Gb T6 or T5

Ex tD A21 T80°C or T90°C

Service Temperature -20°C to +40°C

PTB ATEX1071U

PTB ATEX1072

IECEX PTB 05.0028U

IECEX PTB 05.002

## FEATURES-SPECIFICATIONS

### Features

- Compact square or rectangular enclosure with threaded screw type cover provide easy access to interior
- Can be shipped in component parts and still maintain third party UL-CSA-FM approvals
- Available in three different cover types: flat blank, lens and dome covers
- Cast mounting lugs are standard on all assemblies
- Available as blank box or can be custom drilled and tapped for conduit openings which may be factory or field installed on the four sides or back wall
- Gaskets are standard on all assemblies and with covers when component part ordering
- Internal ground screw supplied on all boxes
- CEN suffix modification for ATEX/IEC Ex certification includes an external ground screw, cover locking screw, and nameplate displaying certification and area classifications. Feature is only available on complete assemblies and not available when component part ordering.

### Materials

- Enclosures:  
Copper-free aluminum  
(less than 1/10 of 1%)
- Optional Mounting Pans:  
Sheet aluminum
- Lens Cover Glass:  
Tempered soda lime glass
- Cover Gaskets:  
GRB, GRE, GRM, GRK, GRL  
70 Durometer NITRILE  
GRH, GRHA, GRHC  
57 63 Durometer BUNA-N
- Finish: Electrostatically applied gray powder epoxy/polyester on box exterior and cover



ENCLOSURES  
**GR SERIES**

THREADED ENCLOSURES



For ATEX and IEC Ex Global  
Certifications Add Suffix  
"CEN" to the Catalog Logic

**GR COMPLETE ASSEMBLIES**

COVER OPENING DIAMETER	NOMINAL EXTERNAL BOX DIMENSIONS WITHOUT COVER			CATALOG NUMBER		VIEWING AREA	CATALOG NUMBER	DEPTH OF DOME	MAXIMUM CONDUIT SIZE
	L	W	D	BOX WITH BLANK COVER	BOX WITH LENS COVER		BOX WITH DOME COVER		
3.906 (99.21)	4.63 (117.60)	4.63 (117.60)	4.15 (105.41)	GRB	GRB-275L	2.75 (70)	2GRB	2 (51)	1-1/2"
							4GRB	4 (102)	
4.34 (110.24)	6.63 (168.40)	5.5 (139.70)	5.25 (133.35)	GRE	GRE-300L	3 (76)	—	—	2"
5.28 (134.11)	6.87 (174.50)	6.87 (174.50)	5.93 (150.62)	GRM	GRM-375L	3.75 (95)	5GRM	5 (127)	2"
7.25 (184.15)	9.87 (250.70)	8.38 (212.85)	6.53 (165.86)	GRK	GRK-537L	5.38 (137)	4GRK	4 (102)	2-1/2"
7.87 (199.90)	10.5 (266.70)	8.87 (225.30)	7.18 (182.37)	GRL	GRL-600L	6 (152)	—	—	2"
9.63 (244.60)	12 (304.80)	11 (279.40)	7.63 (193.80)	GRH	GRH-775L	7.75 (197)	4GRH	4 (102)	3 1/2"
							8GRH	8 (203)	
9.63 (244.60)	12.18 (309.37)	11 (279.40)	11 (279.40)	GRHC	GRHC-775L	7.75 (197)	4GRHC	4 (102)	4"
							8GRHC	8 (203)	
9.63 (244.60)	12 (304.80)	11 (279.40)	16.18 (410.97)	GRHA	GRHA-775L	7.75 (197)	4GRHA	4 (102)	4"
							8GRHA	8 (203)	



## THREADED ENCLOSURES



### GR COMPONENT PARTS

ENCLOSURE SERIES	CATALOG NUMBER OF COMPONENTS						
	BOX WITHOUT COVER	BLANK COVER	LENS COVER	DOME COVER	GASKET REPLACEMENT	FLAT PAN	DIMENSIONS FOR MTG. PANS
GRB	GRBB	GRB-BC	GL-275	2"- 2GRBD	GRB-RG	6086PAN	3.4 x 3.5 (86 x 89)
				4"- 4GRBD			
GRE	GREB	GRE-BC	GL-300	—	GRE-RG	6074	4 x 4.5 (102 x 114)
GRM	GRMB	GRM-BC	GL-375	5"- 5GRMD	GRM-RG	6064	5 x 5 (127 x 127)
GRK	GRKB	GRK-BC	GL-537	4"- 4GRKD	GRK-RG	6038	5.5 x 7.5 (140 x 191)
GRL	GRLB	GRL-BC	GL-600	—	GRL-RG	6053	6 x 8.5 (152 x 216)
GRH	GRHB	GRH-BC	GL-775	4"- 4GRHD	GRH-RG	6058	8 x 9 (203 x 229)
				8"- 8GRHD			
GRHC	GRHCB	GRH-BC	GL-775	4"- 4GRHD	GRH-RG	6058	
				8"- 8GRHD			
GRHA	GRHAB	GRH-BC	GL-775	4"- 4GRHD	GRH-RG	6058	
				8"- 8GRHD			

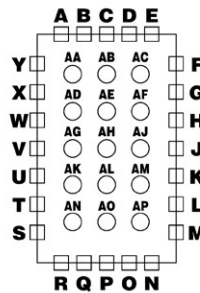
### GR MODIFICATIONS

SUFFIX NUMBER	DESCRIPTION
CEN	ATEX and IEC Ex Certifications, IP66
P	Drill, tap and install Mounting Pan
SU-8	Drill and tap only for Mounting Pan
KIT-251	100 amp ground lug
KIT-252	200 amp ground lug
SU3B-QA	cCSAus, ATEX, IEC Ex drain and breather installed Class I Groups C & D and Ex d IIB, Type 4, 4x, IP66
SU3B-4X	UL and CSA drain and breather installed Class I Groups B, Type 4, 4x
SU3B-ATEX	UL CSA, ATEX, IEC Ex drain and breather installed Class I groups B and Ex d IIB, Voids Type 4 and IP66
SU-6	Remove external mounting lugs
SU14	Fungus Proof internally
SU9	Speacial paint - specify
SU93	Do not paint

**EXAMPLE: GRB-C3-J2-P1=**  
GRB enclosure with 1" NPT top center,  
3/4" NPT right side center,  
1/2" NPT bottom center

### Drilled and Tapped Conduit Openings

Boxes are furnished blank for field drilling and tapping of conduit openings. If factory openings are requested submit drawing or select from charts below.



### SYMBOL NUMBER

SIZE	SYMBOL
1/2"	1
3/4"	2
1"	3
1-1/4"	4
1-1/2"	5
2"	6
2-1/2"	7
3"	8
3-1/2"	9
4"	10

### GR ENCLOSURE VOLUMES

CATALOG NUMBER	VOLUME CU IN (LT)
GRB	45 (0.74)
GRE	105 (1.72)
GRM	180 (2.95)
GRK	305 (5.00)
GRL	405 (6.64)
GRH	615 (10.09)
GRHA	1450 (23.78)
GRHC	985 (16.15)
GRB-275L	40 (0.66)
GRE-300L	95 (1.56)
GRM-375L	170 (2.79)
GRK-537L	280 (4.59)
GRL-600L	380 (6.23)
GRH-775L	570 (9.35)
GRHA-775L	1400 (22.96)
GRHC-775L	940 (15.42)
2GRB	60 (0.98)
4GRB	80 (1.31)
5GRM	250 (4.10)
4GRK	410 (6.72)
4GRH	820 (13.45)
8GRH	1050 (17.22)
4GRHA	1660 (27.22)
8GRHA	1890 (31.00)
4GRHC	1195 (19.60)
8GRHC	1425 (23.37)

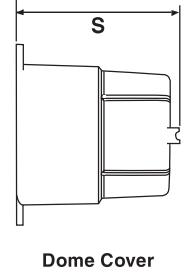
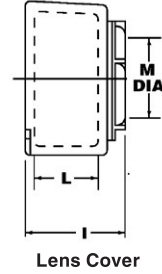
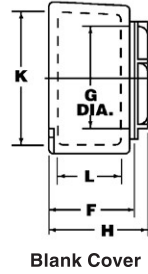
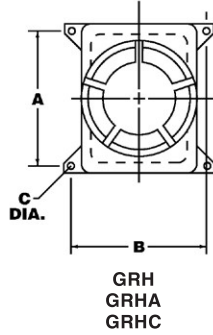
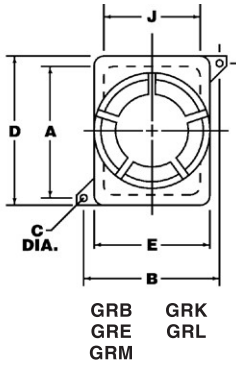
Notes: Replacement covers are supplied with the O-ring gasket. For Group B applications all conduit openings must be sealed within 18" (457mm) from the enclosure wall. For ATEX and IEC Ex applications all conduit and gland openings must be sealed immediately to the enclosure wall.



ENCLOSURES  
**GR SERIES**

THREADED ENCLOSURES

**DIMENSIONS**



CAT. NO.	MOUNTING DIMENSIONS			EXTERNTAL DIMENSIONS			BLANK COVER		LENS COVER		INTERNAL DIMENSIONS			WEIGHT LBS (KG)
	A	B	C	D	E	F	G*	H	I	M+	J	K	L	
GRB	4 (102)	6 (527)	0.31 (8)	4.63 (118)	4.63 (118)	4.15 (105)	3.91 (99)	4.56 (116)	4.53 (116)	2.75 (70)	3.75 (95)	3.75 (95)	2.68 (68)	5.6 (2.54)
GRE	5.75 (146)	6.5 (165)	0.31 (8)	6.63 (168)	5.5 (149)	5.25 (133)	4.34 (110)	5.75 (146)	5.72 (145)	3 (76)	4.63 (118)	5.75 (146)	3.28 (83)	7.9 (4.4)
GRM	5.87 (149)	8.13 (206)	0.31 (8)	6.87 (174)	6.87 (174)	5.93 (151)	5.28 (134)	6.56 (167)	6.56 (167)	3.75 (95)	6 (527)	6 (527)	4.18 (106)	11.8 (5.4)
GRK	9.13 (232)	9.63 (245)	0.31 (8)	9.87 (251)	8.38 (213)	6.53 (166)	7.25 (184)	7.28 (185)	7.18 (182)	5.38 (137)	7.06 (179)	8.31 (211)	4.13 (105)	23.5 (10.7)
GRL	9.5 (241)	10.5 (267)	0.44 (11)	10.5 (267)	8.87 (225)	7.18 (182)	7.87 (200)	7.97 (202)	7.93 (201)	6 (527)	7.63 (194)	9.13 (234)	4.93 (125)	26.2 (11.9)
GRH	10.75 (273)	12.13 (308)	0.44 (11)	12 (305)	11.63 (295)	7.63 (194)	9.63 (245)	8.38 (213)	8.63 (219)	7.75 (197)	9.5 (241)	10.5 (267)	5 (127)	39.7 (18)
GRHA	8.25 (207)	12.13 (308)	0.44 (11)	12 (305)	11.63 (295)	16.18 (411)	9.63 (245)	16.93 (430)	17.18 (436)	7.75 (197)	9.5 (241)	10.5 (267)	13.56 (344)	70.5 (32)
GRHC	8.25 (207)	12.13 (308)	0.56 (14)	12.18 (309)	11.63 (295)	11 (279)	9.63 (245)	11.75 (298)	12 (305)	7.75 (197)	9.56 (243)	10.63 (270)	8.43 (214)	54.9 (24.9)

Notes: All dimensions in. (mm)

\*Box opening diameter

+Viewing lens diameter

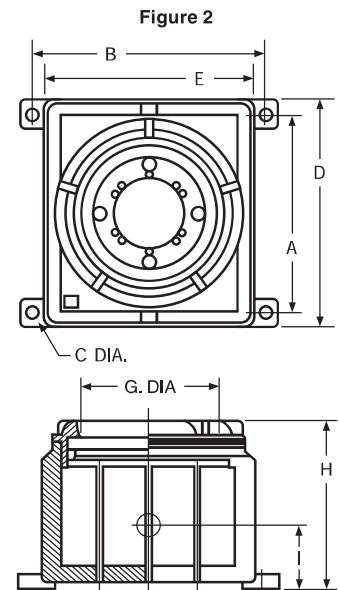
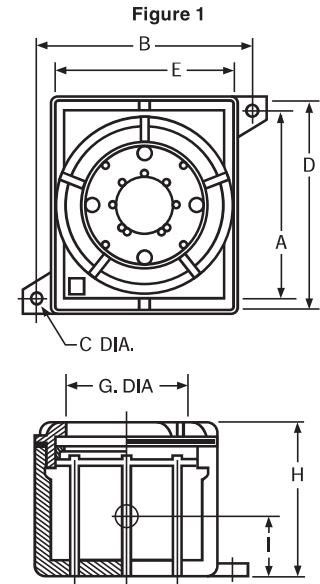
CATALOG NUMBER BASIC BOX W/DOME COVER	S DIM INCHES (MM)
2GRB	7 (177.80)
4GRB	9 (228.60)
5GRM	12.25 (311.15)
4GRK	11.93 (303.02)
4GRH	13 (330.20)
8GRH	17 (431.80)
4GRHA	21.5 (546.10)
8GRHA	25.5 (647.70)
4GRHC	16.31 (414.27)
8GRHC	20.31 (515.88)



INSTRUMENT ENCLOSURES

**DIMENSIONS**

RECOMMENDED GR ENCLOSURE BASED ON INSTRUMENT MODEL (INSTRUMENTS NOT SUPPLIED)				
CATALOG NUMBER	MANUFACTURER	INSTRUMENT		
		MODEL	SIZE	TYPE
GRM-375L52	Weston	1930 Series	3-1/2"	Rectangular
		301 Series	3"	Rectangular
		301 Series	3-1/2"	Round
GRM-375L52	General Electric	KT w/o reset	3"	Rectangular
		KT w/o reset	3-1/2"	Round
GRM-375L52	Cutler Hammer	R-351	3"	Rectangular
		B-351 w/o reset	3"	Rectangular
		N-351	3-1/2"	Round
GRM-375L52	Simpson	27, 27T, 37, 47, 57, 77 Series	3"	Rectangular
		2100 Series	3-1/2"	Rectangular
		25, 25T, 35, 45, 55 Series	3-1/2"	Round
		55ET	3-1/2"	Round
		75	3-1/2"	Round
		1300 Series	3-1/2"	Rectangular
		3223	3-1/2"	Round
3323	3-1/2"	Rectangular		
GRM-375L52	Cutler Hammer	N-371 Series	4-1/2"	Round
GRK-537L52A	Cutler Hammer	R-371 Series	4"	Rectangular
GRK-537L52A	Simpson	3224	4-1/2"	Round
GRK-537L52A	General Electric	250, 162, 167, 251 Series	3-1/2"	Rectangular
		178 Series	4-1/2"	Rectangular
		171 Series frequency meter	4-1/2"	Rectangular
		236 w/o Reset	3-1/2"	Rectangular
GRK-537L52B	Weston	1940 Series	4-1/2"	Rectangular
GRK-537L52B	General Electric	AB/DB-30 AC ammeter	4-1/2"	Rectangular
		AB/DB-30 AC/DC ammeter	4-1/2"	Rectangular
GRL-600L52B	General Electric	AB/DB-40 AC ammeter	4-1/2"	Rectangular
		DB-40 DC ammeter	4-1/2"	Rectangular
GRK-537L52B	General Electric	DB-40 DC voltmeter	4-1/2"	Rectangular
		171, 250, 251 Series	4-1/2"	Rectangular
GRL-600L52C	Simpson	29, 29T, 39, 49, 59, 79, 1300, 2100 Series	4-1/2"	Rectangular
GRH-775L52B	General Electric	AB/DB-40 AC voltmeter	4-1/2"	Rectangular



GR DIMENSIONS									
CATALOG NUMBER	FIG. NO.	A	B	C	D	E	G	H	I
GRM-375L52	1	5-7/8"	8-1/8"	5/16"	6-7/8"	6-7/8"	3-9/16"	6-13/32"	2-5/8"
GRK-537L52A	1	9-1/8"	9-1/8"	5/16"	9-7/8"	7-7/8"	4-7/8"	6-11/16"	2-1/2"
GRK-537L52B	1	9-1/8"	9-1/8"	5/16"	9-7/8"	7-7/8"	4-7/8"	6-11/16"	2-1/2"
GRL-600L52B	1	9-1/2"	10-1/2"	7/16"	10-1/2"	8-7/8"	5-13/16"	7-17/32"	2-3/4"
GRL-600L52C	1	9-1/2"	10-1/2"	7/16"	10-1/2"	8-7/8"	5-13/16"	7-17/32"	2-3/4"
GRH-775L52B	2	10-3/4"	12-1/8"	7/16"	12"	11"	7-7/16"	8-3/4"	3"