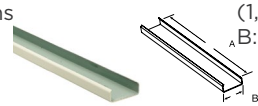

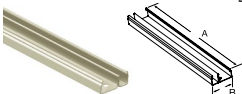


BL2400 and HBL2400D Series Inches (mm)


| | | | |
|-----------------------|--|--------------|--|
| HBL2400 Series | Description | Color | Catalog No. |
| | Undivided Base and Cover Packed 50ft (15m) per carton, 5ft (1.5m) lengths. | Ivory | HBL2400BCIV A: 60.00" (1,524.00) B: 1.91" (48.51) C: .88" (22.40) |



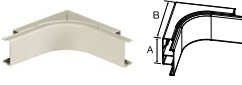

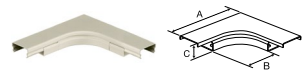
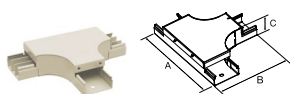
| | | | | | | |
|------------------------|---|--------------|---|---|--------------|--|
| HBL2400 Series | Description | Color | Catalog No. | Description | Color | Catalog No. |
| | 10ft Base, Undivided Packed 50ft (15m) per carton, 10ft (3m) lengths. | Ivory | HBL2400B10IV A: 120.00" (3,048.00) B: 1.91" (48.51) | 5ft Cover Packed 50ft (15m) per carton, 5ft (1.5m) lengths. | Ivory | HBL2400CIV A: 60.00" (1,524.00) B: 1.89" (48.00) |
| | 5ft Base, Undivided Packed 50ft (15m) per carton, 5ft (1.5m) lengths | Ivory | HBL2400BIV A: 60.00" (1,524.00) B: 1.91" (48.51) | | | |
| HBL2400D Series | 10ft Base, Divided Packed 50ft (15m) per carton, 10ft (3m) lengths. | Ivory | HBL2400BDIV A: 120.00" (3,048.00) B: 1.91" (48.51) | | | |

| Device Boxes | 1-Gang | | | | 2-Gang | | | |
|---------------------|--|--------------|---|--|---|---|---------------------|---------------------|
| | Description | Color | Type | Standard | Extra Deep | Standard | Extra Deep | |
| | Device Box For deep switches and receptacles. Base has one 1/2in trade size KO and rectangular KO for extension to wall box. | Ivory | Divided | — | HBL2444DIVA | — | HBL2444D2AIV | HBL2444D2AIV |
| | Ivory | Undivided | HBL2448IVA A: 4.54" (115.32) B: 2.82" (71.63) C: 1.75" (44.45) | HBL2444IVA A: 4.54" (115.32) B: 2.82" (71.63) C: 2.75" (69.85) | HBL24482IV A: 4.54" (115.32) B: 4.64" (117.86) C: 1.75" (44.45) | HBL24442IV A: 4.54" (115.32) B: 4.64" (117.86) C: 2.75" (69.85) | | |



| | | | | | | | | |
|------------------------|--|--------------|-------------|---|---|--------------|-------------|--|
| Elbows and Tees | Description | Color | Type | Catalog No. | Description | Color | Type | Catalog No. |
| | Internal Elbow Bend Radius For inside surfaces at right angles, requiring a 1.5in (38.10) bend radius. Suitable for Category 5, 5e, 6 and 6A applications. | Ivory | Divided | HBL2417DFOIV* HBL2417IV** A: 1.91" (48.51) B: 3.60" (91.30) | External Elbow Bend Radius For right angle turns around external corners. Suitable for Category 5, 5e, 6 and 6A applications. | Ivory | Divided | HBL2418DFOIV* HBL2418IV** A: 1.91" (48.51) B: 3.83" (97.28) |
| | 90° Flat Elbow Bend Radius For right angle turns on same surface. Suitable for Category 5, 5e, 6 and 6A applications. | Ivory | Divided | HBL2411DFOIV* HBL2411IV** A: 6.00" (152.40) B: 5.00" (127.00) C: .90" (22.86) | Tee Fitting Bend Radius For branches at right angles. Suitable for Category 5, 5e, 6 and 6A applications. | Ivory | Divided | HBL2415DFOIV* HBL2415IV** A: 7.30" (185.42) B: 4.99" (126.75) C: 1.44" (36.58) |

Note: *HBL2401DC couplings included. **HBL2401C couplings included.