

15 Amp, 125 Volts
2 Pole, 2 Wire, Non-Grounding

IP20
 SUITABILITY

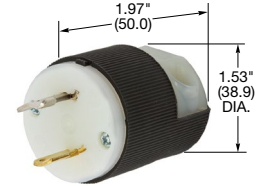


15A 125V
NEMA L1-15P
0.5 HP

Plugs

| Description | Cord Dia. | Catalog Number |
|--|---------------------------|-----------------|
| Black and white nylon, polarized. Multiple drive screws. | .230"-.720" (5.8-18.3) | HBL7545C |

Note: See page B-51 for accessories.



HBL7545C

Flanged Inlets

| Description | Catalog Number |
|--|-----------------|
| Nylon casing, polarized, backwired, Multiple drive screws. | HBL7524C |

Note: See page B-50 for accessories.

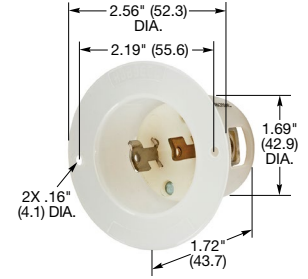


15A 125V
NEMA L1-15R
0.5 HP

Connector Bodies

| Description | Cord Dia. | Catalog Number |
|---|---------------------------|-----------------|
| Black and white nylon. Multiple drive screws. | .230"-.720" (5.8-18.3) | HBL7506C |

Note: See page B-51 for accessories.



HBL7524C

Receptacles

| Description | Catalog Number |
|---|----------------|
| Duplex, flush, black phenolic. | HBL7540 |
| Single, flush, black phenolic. | HBL7535 |
| Single, panel mount, 1 ⁵ / ₁₆ " (49.2) centers, black phenolic. | HBL7498 |

Note: See pages B-50 and B-51 for accessories.

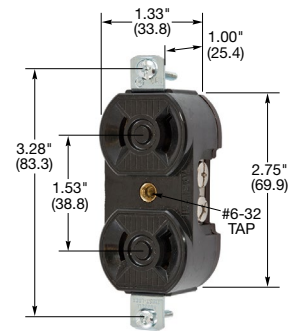


HBL7506C

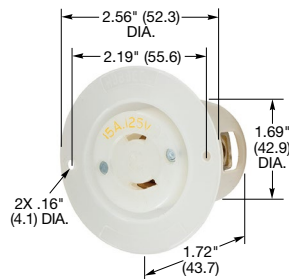
Flanged Receptacles

| Description | Catalog Number |
|--|-----------------|
| Insulgrip nylon casing, backwired. Multiple drive screws. | HBL7526C |
| Metal flange, stainless steel casing, black phenolic, exposed terminals. | HBL7526 |

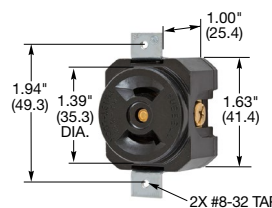
Note: See pages B-50 and B-51 for accessories.
 Only receptacles and plugs are HP rated.
 HP ratings are AC only.



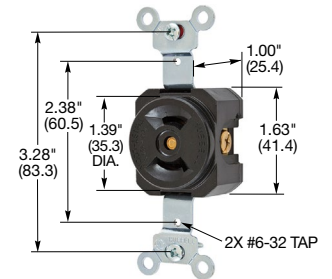
HBL7540



HBL7526C



HBL7498



HBL7535

Dimensions in Inches (mm)