

Features and Benefits

Rocker Weatherproof Series

Hubbell designs and manufactures these weatherproof switches for wet and damp applications.

- 20 Amp 120/277V AC
- Single Pole / 3-Way Capable
- NEMA TYPE 3R



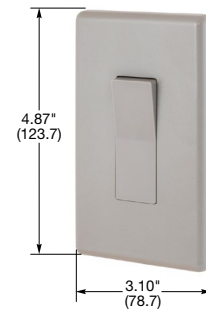
Style Line® Decorator Weatherproof Series, 20A, 120/277V AC



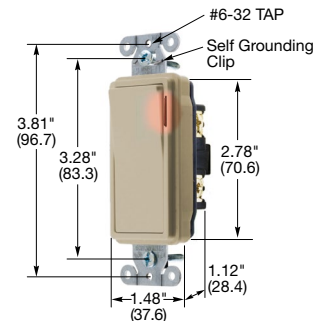
Description	Color	Single Pole / Three Way
Rocker, Weatherproof, self-grounding, back and side wired.	Gray	RSD120WPGY
	Light Almond	RSD120WPLA
	White	RSD120WPW

Style Line® Decorator Specification Grade Commercial Series, Illuminated, Light ON with Load OFF 20A, 120/277V AC

Description	Rocker Color	Single Pole	Double Pole	Three Way	Four Way
Rocker, with Blue LED, back and side wired.	Black	DS120ILBK	—	DS320ILBK	—
	Ivory	DS120IL	—	DS320IL	—
	Light Almond	DS120ILLA	—	—	—
	Red	DS120ILR	—	—	—
	White	DS120ILW	—	DS320ILW	—



RSD120WPGY

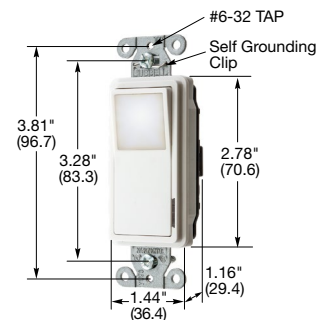


DS120PLI

Style Line® Decorator Specification Grade Commercial Series, Pilot, Light ON with Load ON 20A, 120/277V AC

Description	Rocker Color	Single Pole	Double Pole	Three Way	Four Way
Rocker, with Red LED, back and side wired.	Black	DS120PLBK	—	—	—
	Ivory	DS120PLI	—	—	—
	White	DS120PLW	—	—	—

Note: See page D-12 for pre-wired/leaded devices.
See page D-15 for accessories and page D-16 for wallplates.
See page D-22 for technical information.



DS120NLWH

Style Line® Decorator Spec. Grade Commercial Series with Nightlight, 20A, 120V AC

Description	Rocker Color	Single Pole	Double Pole	Three Way	Four Way
Rocker, with Nightlight, self-grounding, push, back and side wired.	Black	DS120NLBK	—	—	—
	Brown	DS120NLBR	—	—	—
	Gray	DS120NLGY	—	—	—
	Ivory	DS120NLIV	—	—	—
	Light Almond	DS120NLLA	—	—	—
	White	DS120NLWH	—	—	—

Note: Light glows through the top portion of the rocker when switch is in the OFF position. Does not require a neutral wire.

HP Conversion Chart

	120V	208V	240V	277V AC
15A	.5HP	1.5HP	2HP	2HP
20A	1HP	2HP	2HP	2HP

Dimensions in Inches (mm)