

# Switched Disconnects and Enclosures

## Features and Benefits

### Circuit-Lock® 200A Disconnect Switches

Hubbell's 200A Disconnect Switches are the latest addition to the Circuit-Lock® family of switched enclosures. The enclosures are designed to withstand harsh environments with exposure to water, chemicals, oils and frequent washdowns. Available in non-metallic or stainless steel, the enclosures are UL Listed Type 4X and 12.

- UL 98 Rated Switch
- Non-Metallic and Stainless Steel
- Type 4X, 12
- Accepts up to 2 Auxiliary Contacts
- Highly Visible Red Rotary Handle
- OSHA Compliant Lockout/Tagout Handle
- Unable to Open the Cover when ON; Cover Locked when Energized
- 200kA SCCR Rating when Protected by a Class "J" Fuse

*Designed to Withstand Harsh Environments*



HBLDS20

HBLDS20SS

### Circuit-Lock® 200A Disconnect Switches

Description	Catalog Number
200A non-metallic disconnect.	<b>HBLDS20</b>
200A stainless steel disconnect.	<b>HBLDS20SS</b>
N/O auxiliary contact - "Break Before Main".	<b>HBLAC200</b>
200A replacement switch.	<b>HBLDS20RS</b>
200A replacement handle.	<b>HBL200HDL</b>

### Materials - 200A Disconnect Switches

Description	Non-Metallic		Stainless Steel	
	Material	Finish	Material	Finish
Enclosure	FR Polyester	—	14 Ga. 304 SST	Smooth Grain
Handle	Plastic	Red/Yellow	Plastic	Red/Yellow
Switch	Plastic	—	Plastic	—
Backplate	12 Ga. Aluminum	None	14 Ga. 304 SST	304 Ann 2B
Terminals	Aluminum	Tin Plated	Aluminum	Tin Plated
Fasteners	Steel	Zinc Plated	Steel	Zinc Plated
Mounting Feet	—	—	304 SST	—

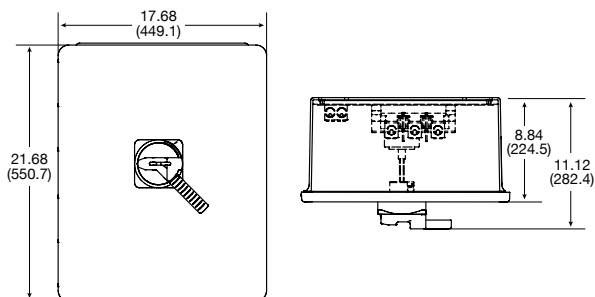
### HP Ratings

Voltage	Std HP	Max HP*
120 VAC 1Ø	1.5	10
208-240 VAC 1Ø	3.0	10
240 VAC 3Ø	7.5	75
480 VAC 3Ø	15.0	150
600 VAC 3Ø	15.0	200
120/ 208 VAC 3ØY	7.5	15
277/480 VAC 3ØY	15.0	30
347/ 600 VAC 3ØY	15.0	40

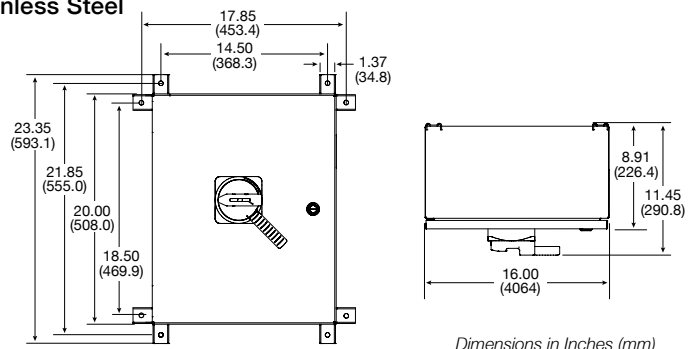
Note: \*When used with time delay fuses.

### Dimensions

#### Non-Metallic



#### Stainless Steel



Dimensions in Inches (mm)