

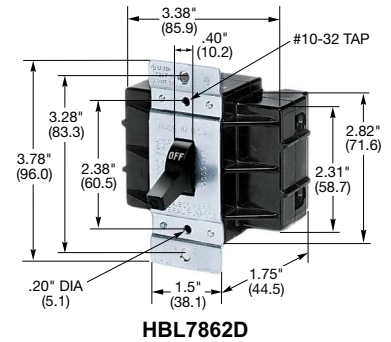
Switched Disconnects and Enclosures

IP44*
SUITABILITY

40A 600V AC Manual Motor Controllers

Description	Catalog Number
40A, double pole, single throw, AC manual motor controller, black nylon handle, side wired.	HBL7842D
40A, three pole, single throw, AC manual motor controller, black nylon handle, side wired.	HBL7843D

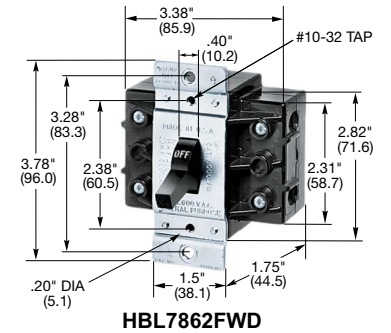
Note: See page F-21 for technical information.



50A 600V AC Manual Motor Controllers

Description	Catalog Number
50A, double pole, single throw, AC manual motor controller, black nylon handle, side wired.	HBL7852D
50A, three pole, single throw, AC manual motor controller, black nylon handle, side wired.	HBL7853D

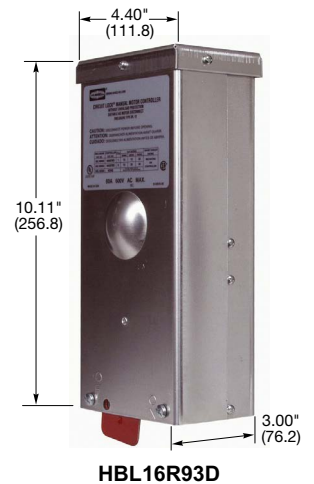
Note: See page F-21 for technical information.



60A 600V AC Manual Motor Controllers

Description	Catalog Number
60A, double pole, single throw, AC manual motor controller, black nylon handle, back wired.	HBL7862D
Same as HBL7862D except front wired.	HBL7862FWD
HBL7862FWD in Type 3R enclosure.	HBL16R92D
60A, three pole, single throw, AC manual motor controller, black nylon handle, back wired.	HBL7863D
Same as HBL7863D except front wired.	HBL7863FWD
HBL7863FWD in a Type 3R enclosure.	HBL16R93D
60A, 600V, three pole, rotary controller in NEMA 4X stainless steel enclosure.	HBL16S63D
60A, 600V, three pole, rotary controller in NEMA 4X non-metallic enclosure.	HBL16X63D

Note: See page F-21 for technical information.



85A 600V AC Manual Motor Controllers

Description	Catalog Number
85A, double pole, single throw, AC manual motor controller, black nylon handle, back wired.	HBL7882D
85A, three pole, single throw, AC manual motor controller, black nylon handle, back wired.	HBL7883D

Note: See page F-21 for technical information.

Motor Controller Accessories

Description	Catalog Number
Finger Guards, fit 30A, 40A and 50A controllers.	HBLFG30
Auxiliary Contacts, NO/Common/NC, for use in rotary switches only.	HBLAUX



Dimensions in Inches (mm)