

Pin and Sleeve Devices/Mechanical Interlocks



HBLVSQ3034

30 and 60 Amp Non-Fused UL1686 Mechanical Interlocks and Plugs

Amp	Circuit	Mechanical Interlock	Metallic Plug	Insulgrip Plug
30 Amp	2W 3P	HBLVSQ3023	HBLVP3385	HBL330PS2W
600V AC	3W 4P	HBLVSQ3034	HBLVP3485	HBL430PS2W
60 AMP	2W 3P	HBLVSQ6023	HBLVP6385	HBL360PS2W
600V AC	3W 4P	HBLVSQ6034	HBLVP6485	HBL460PS2W

Note: Early break contact comes standard with mechanical interlocks.

HBLVSQ 30 Amp models come standard with 1 inch drilled and tapped conduit openings top and bottom plus two 1 inch x 3/4 inch reducers and one 3/4 inch close-up plug for maximum flexibility. 60 amp models come with one 1 1/2 inch opening on top and bottom and one 1 1/2 inch close-up plug.



HBLVP3485



HBL430PS2W

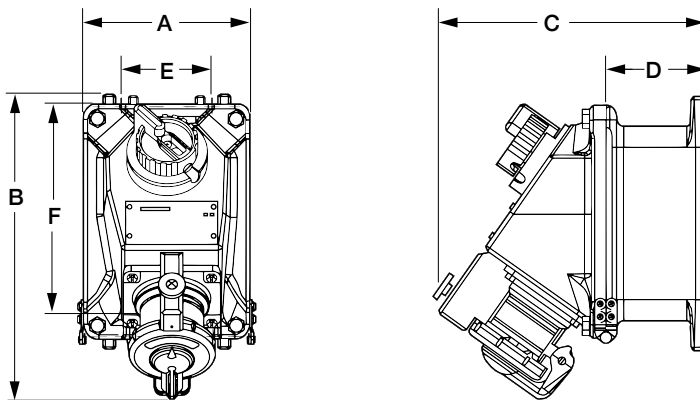
Horsepower Ratings (VAC)*

Amp	Circuit	120	240	480	600	Catalog Number
30 Amp	1Ø	2	5	10	15	HBLVSQ3023
	3Ø	3	7.5	15	20	HBLVSQ3034
60 Amp	1Ø	–	10	15	20	HBLVSQ6023
	3Ø	–	10	25	30	HBLVSQ6034

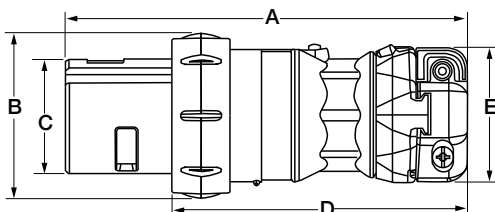
Note: *Internal switch only.

Dimensions

Mechanical Interlocks	A	B	C	D	E	F
30A	5.75 (146)	10.50 (267)	9.75 (248)	3.75 (95)	3.13 (79)	8.13 (206)
60A	8.13 (206)	14.16 (360)	11.28 (287)	4.03 (102)	2.50 (64)	11.38 (289)



Plugs	A	B	C	D	E
30A Both	6.69 (170)	3.00 (76)	1.88 (48)	5.38 (137)	2.53 (64)
60A, 3 Pole	8.81 (224)	3.38 (86)	2.25 (57)	6.50 (165)	3.00 (76)
60A, 4 Pole	8.81 (224)	3.69 (94)	2.53 (64)	6.50 (165)	3.00 (76)



Dimensions in Inches (mm)

Wire Range	30A	60A
Reg. Stranded	#10 – #6	#6 – #4
Extra Flex	#10 – #8	#6 – #4
Grip Range	.55–1.2 (14–30)	.65–1.5 (16–38)