

## Convention Center Utility Boxes

### Metallic Convention Center Utility Boxes\*

Steel Convention Center Utility Box	Painted Galvanized Steel Box	Stainless Steel Box
with Cover for Power and Data/Communications.	<b>HBLSCCUBPD</b>	<b>HBLSCCUBPDSS</b>
with Cover for Power, Data/Communications and Air/Water Box.	<b>HBLSCCUBPDW</b>	<b>HBLSCCUBPDWSS</b>
with Cover for Air/Water Only.	<b>HBLSCCUBW</b>	<b>HBLSCCUBWSS</b>

Note: UL File Number E302222.

\*All boxes provided with temporary galvanized steel concrete covers.

### Painted Galvanized Steel Low Voltage Panel

Description	Catalog Number
Data Panel, 2-Gang, 12 Ports	<b>HBLSBDPCC</b>

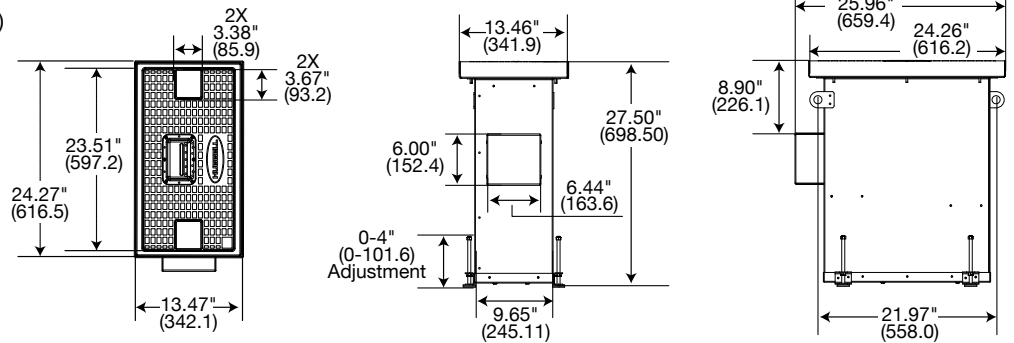


### Painted Galvanized or Stainless Steel Metallic Box

Stand Alone Power/Data

**HBLSCCUBPD** (Painted Galvanized)

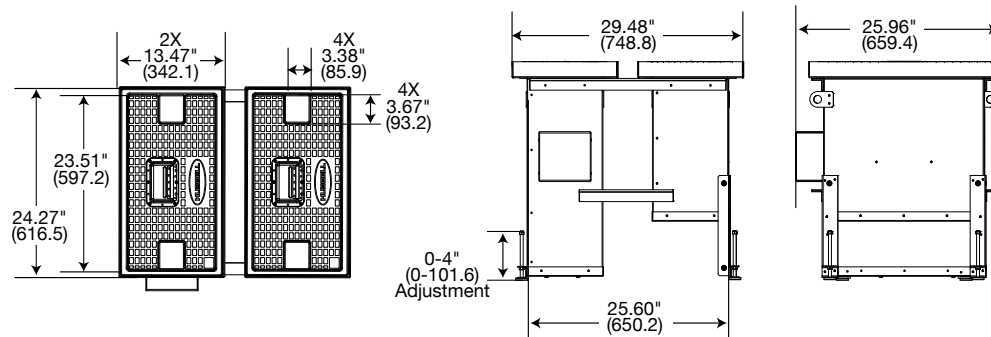
**HBLSCCUBPDSS** (Stainless Steel)



Combination Power/Data/Water

**HBLSCCUBPDW** (Painted Galvanized)

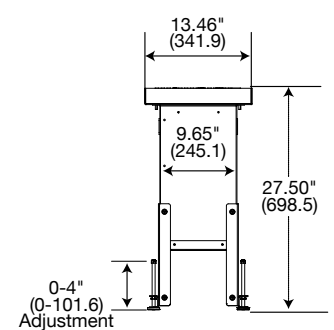
**HBLSCCUBPDWSS** (Stainless Steel)



Stand Alone Water/Air Box

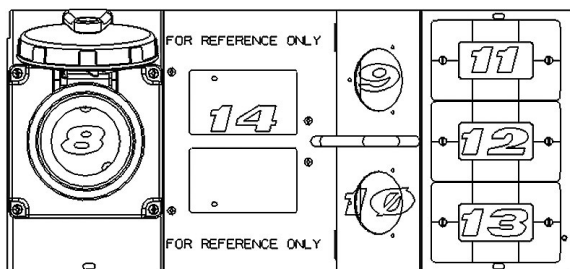
**HBLSCCUBW** (Painted Galvanized)

**HBLSCCUBWSS** (Stainless Steel)



### Pre-Wired Power Panels

Convention Center Power Panels are custom built to order and pre-wired in the factory to make installation quick and easy. Please contact the factory to configure a power panel for your specific needs.



Position	Device Options**
8	Qty. (1) Pin and Sleeve Receptacle, 60A or 100A.
9 & 10	Qty. (2) Twist-Lock® Receptacles (20A or 30A).
11,12,13	Qty. (3) Duplex Receptacles (20A Standard, GFCI or Isolated Ground).
14	Load Center for Circuit Breakers, 8-Pole Positions Max.

Note: \*\*Contact Hubbell for available configurations of power and data panels.

Dimensions in Inches (mm)