

SystemOne Recessed 4-Gang Round Floor Boxes, Covers and Plates For Use In Raised Access or Wood Floors

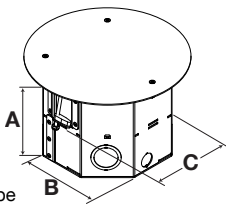
AFB series boxes are available from our factory as pre-wired assemblies with CONNEXION modular plug-n-play system



RAF4B4NKL
with Devices



RAF4B4BRS

Style	
Box Type	Round
Round	RAF4B4BASE
Minimum Depth from Top of Floor Tile	6.47" (164.3)
Cubic Inch (cm ³) Capacity per Gang	28.5 cu. in. (460 cm ³)
Dimensions – A	6.41" (162.9)
Dimensions – B	7.33" (186.2)
Dimensions – C	8.05" (204.6)
KO Trade Size: Sides	(2) 1/2" (2) 3/4", 1 1/2" - Concentric, (2) 1", 1 1/4" - Concentric
Bottom	(1) 1 1/2", 2" (1) 3/4", 1" - Concentric, (1) 3/4", 1", 1 1/4" - Concentric
Floor Thickness	.71" (19.1) - 2.50" (63.5)
Temporary Cover Included	✓
ADA	Flange thickness is 1/8 inches thick and complies with ADA requirements

Note: UL File Number E31999.



RAF4 Series – Round Floor Box with Cover

Includes: **RAF4B4BASE** and 8 in. cover

Cover Finish	Catalog Number
Brushed Aluminum	RAF4B4ALU
Black Powder Coat	RAF4B4BLK
Brass Plated	RAF4B4BRS
Antique Bronze Plated	RAF4B4BRZ
Gray Powder Coat	RAF4B4GRY
Satin Nickel Plated	RAF4B4NKL

8 Inch Round Covers- * 1,000 lbs. static cover load

Round covers are suitable for use with all floor types

Plate Style	Catalog Number
Brushed Aluminum	CFBS1R8CVRALU
Black Powder Coat	CFBS1R8CVRBLK
Brass Plated	CFBS1R8CVRBRS
Antique Bronze Plated	CFBS1R8CVRBRZ
Gray Powder Coat	CFBS1R8CVRGRY
Satin Nickel Plated	CFBS1R8CVRNKL

Note: *Load applied through a 3 in. (76mm) mandrel in center of the cover.

RAF4 Series – Plates

- All **RAF4SP** series plates are powder coat white

Plate Style	(1) Decorator	(1) Duplex	(1) Simplex Opening 1.40 in. Diameter	(1) Twist-Lock® Opening 1.60 in. Diameter	Blank
Cat. No.	RAF4SPDECO	RAF4SPDUPLEX	RAF4SPPTL14	RAF4SPPTL16	RAF4SPBLANK

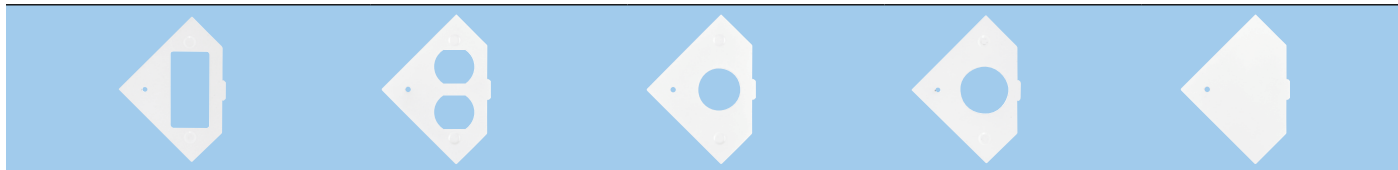
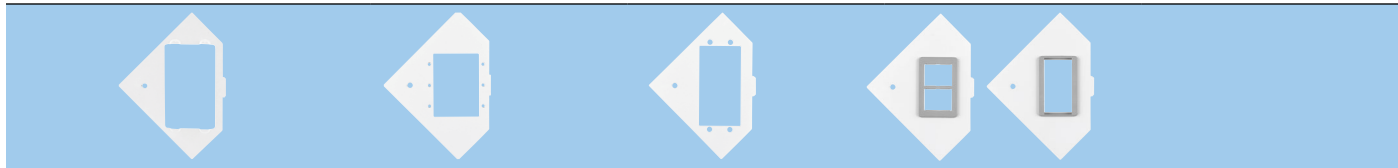


Plate Style	(1) Hubbell iStation Opening for 3 Units	(3) Extron® MAAP Modules	(2) Extron® AAP Modules	Opening to Accept Bezels for Ortronics TracJack®
Cat. No.	RAF4SP3UIS	RAF4SP3MAAP	RAF4SP2AAP	RAF4SPORT



Extron® is a registered trademark of Extron Electronics. Crestron® is a registered trademark of Crestron Electronics, Inc. FSR® is a registered trademark of FSR Inc. TracJack®, Series II® and Ortronics® are registered trademarks of Ortronics/Legrand.
Dimensions in Inches (mm)