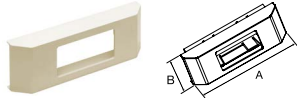
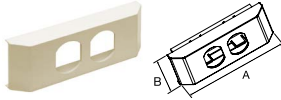
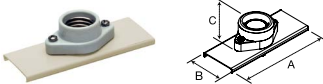





## HBL2400 and HBL2400D Series

Devices and Frames	Description	Color	Catalog Number	Description	Color	Catalog Number
	<p><b>Receptacle Bracket and Frame</b> For use with power devices with maximum width of 1.35 in. (84.3) and in low voltage applications with ISFxxAL frames found on page S-45.</p> 	Ivory	<b>HBL24106RRK*</b> A: 6.00" (152.40) B: 2.02" (51.31)	<p><b>Duplex Bracket and Frame</b> For use with power devices with maximum width of 1.35 in. (84.3) and in low voltage applications with BR106AL and Q106AL frames found on page S-45.</p> 	Ivory	<b>HBL24106DRK*</b> A: 6.00" (152.40) B: 2.02" (51.31)
<p><b>Lamp Holder</b> Medium base lamp holder 660W 250V ceramic. Ivory (Cover) White Ceramic (Lamp Holder).</p> 	Ivory	<b>HBL2426IV*</b> A: 5.00" (127.00) B: 1.89" (48.01) C: 1.03" (26.16)				

Note: \*Only used on HBL2400 Series Undivided Raceway.

Tools	Description	Catalog Number	Description	Color	Catalog Number
	<p><b>Cutter</b> Portable cutter for HBL2400/ HBL2400D Series Raceway.</p> 		<b>HBL624CUT</b>	<p><b>Touch-Up Paint Pen</b></p> 	Ivory
<p><b>Cutter Replacement Blade Set</b></p> 		<b>HBL624BCK</b>			

Dimensions in Inches (mm)