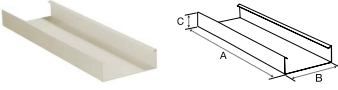
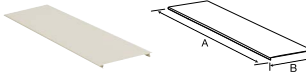
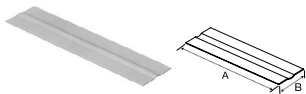
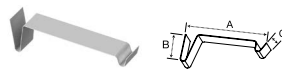





HBL6750 Series

HBL6750 Series	Description	Color	Catalog Number	Description	Color	Catalog Number
	Single Channel Base Packed 20 ft. (6.1m) per carton, 10 ft. (3m) lengths. Assembled cover and base dimensions: W: 6.75" (171.45) H: 2.22" (56.39)	Ivory Gray	HBL6750B10IV HBL6750B10GY A: 120.00" (3048.00) B: 6.75" (171.45) C: 2.12" (53.85)	5 Ft. Cover Packed 20 ft. (6.1m) per carton, 5 ft. (1.5m) lengths.	Ivory Gray	HBL6750CIV HBL6750CGY A: 60.00" (1,524.0) B: 6.75" (171.45)
		31 In. Precut Cover* For 36 in. (915.00) centers with HBL6747 and HBL6750 Plates.	Ivory Gray	HBL6750C315IV HBL6750C315GY A: 31.50" (800.10) B: 6.75" (171.45)		
		19 In. Precut Cover* For 24 in. (610.00) centers with HBL6747 and HBL6750 Plates.	Ivory Gray	HBL6750C195IV HBL6750C195GY A: 19.50" (495.30) B: 6.75" (171.45)		
		13 In. Precut Cover* For 18 in. (457.00) centers with HBL6747 and HBL6750 Plates.	Ivory Gray	HBL6750C135IV HBL6750C135GY A: 13.50" (342.90) B: 6.75" (171.45)		
		7 In. Precut Cover* For 12 in. (305.00) centers with HBL6747 and HBL6750 Plates.	Ivory Gray	HBL6750C075IV HBL6750C075GY A: 7.50" (190.50) B: 6.75" (171.45)		
						

Note: *Packed 10 pieces per carton. Device centers vary based on cover selection. Consult factory for details.

Fittings	Description	Color	Catalog Number	Description	Color	Catalog Number
	Divider Divides HBL6750 Raceway into two or three channels. Packed 50 ft. (15.24m) per carton, 5 ft. (1.5m) lengths. HBL6751DAGY Divider Clips are required to hold divider in place.	Painted Steel	HBL6750DAGY A: 60.00" (1524.00) B: 2.03" (51.56)	Wire Clip (Plated) For holding conductors in place.	Steel**	HBL6750WCGY A: 6.61" (167.80) B: 2.09" (53.05)
						
Divider Clip (Plated) Required for holding HBL6750DAGY in place. Use one every 2.5 ft. (.762m).	Steel**	HBL6751DAGY A: 6.60" (167.67) B: 1.97" (50.10)	Coupling (Plated) For joining lengths of HBL6750 Raceway. Sold in pairs.	Steel**	HBL6751A A: 2.00" (50.71) B: .42" (10.59)	
						
Internal Corner Coupling (Plated) Concealed fitting for making an internal corner while continuing original run in a straight line.	Steel**	HBL6717TCAGY A: 6.56" (166.62) B: 1.94" (49.28)				
						

Note: **Galvanized Steel.

Dimensions in Inches (mm)