

## Features and Benefits

### Pre-Wired 2X2 USB Work Surface Pop-Up Box

Hubbell's UL Listed 2X2 USB Work Surface Pop-Up Boxes is ideal for work surfaces, such as desks, which require power for a computer and USB charging for smart devices. Each box includes one 125V, 15A duplex receptacle and two USB ports, one type A and one Type-C. Developed with coordination from the hotel industry, the Hubbell Pop-Up Box utilizes a pneumatic spring for providing a smooth action for opening and closing. Available in brushed aluminum, black powder coat and white powder coat, the Pop-Up Box is suited for installation with any modern décor, making it excellent for conference rooms or classrooms that are frequently rearranged.

Installation is simple and only requires a jig-saw or similar saw plus a screwdriver. The unit is supplied with a 5 foot cord with a molded plug end allowing it to be installed with ease. Designed to be installed into existing desks or by furniture manufacturers. The Hubbell 2X2 USB Work Surface Pop-Up Box is ideally suited for any work surface application.

- cULus listed to UL962A for Furniture Power Distribution Units



#### Box Design

- Gas-spring actuation for smooth opening and closing
- Die cast aluminum construction
- Rated for +10,000 open/close cycles
- Simple three-screw installation
- Unobtrusive low profile flange at 0.05 in.
- Charging convenience at the push of a button



#### USB Device

- 15A duplex with two USB ports; available with Type A & C with 5A capacity
- Tamper-resistant receptacle
- LED power indicating light
- Low .070" tapered flange height
- 5 ft, pre-wired, 12 gauge, 3 wire electrical cord

### 2X2 USB Work Surface Pop-Up Boxes, NEMA 5-15 Duplex Receptacle

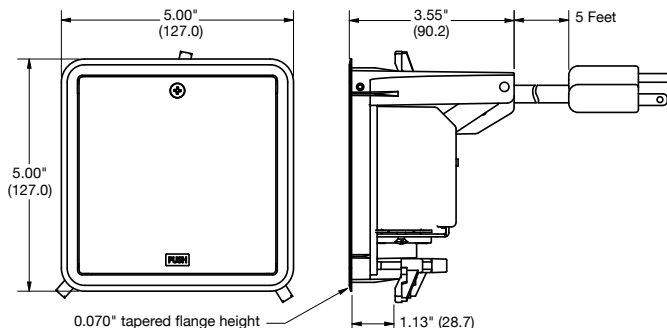
Description	Finish	USB Type A & C, 5A-5V USB Output
15A 125V duplex receptacle with (2) USB charging ports, 5 foot long cord with NEMA 5-15 plug	Brushed Aluminum	<b>WSBUSB2X2AC5ALU</b>
	Black Powder Paint	<b>WSBUSB2X2AC5BLK</b>
	White Powder Paint	<b>WSBUSB2X2AC5WHT</b>

Note: UL File Number E327832.

### Work Surface Pop-Up Box Specifications

Maximum	Cut Out	Surface	Tapered Flange	Product	Cord
Surface Thickness	Dimensions	Dimensions	Height	Depth	Length
1.125"	4.62" x 4.62"	5" x 5"	0.070"	3.55"	5 Feet

### Dimensions



WSBUSB2X2AC5ALU



WSBUSB2X2AC5BLK



WSBUSB2X2AC5WHT

Dimensions in Inches (mm)