

## Decorator Quiet Rocker Switches

### Decorator Products - Smart Style, Good Looks

Residential Decorator Switches and Receptacles provide solid, dependable performance and more. Indeed, they are fashion statements, masterfully complementing the look and feel of any room in any home.

#### Single Pole Decorator Quiet Rocker Switches

Description	Single Pole	Single Pole, Illuminated	Single Pole, Pilot Light	Single Pole with Nightlight	Single Pole with ON/OFF Marking
Termination	Self-Grounding, Push, Back and Side Wire	Self-Grounding, Push, Back and Side Wire	Self-Grounding, Push, Back and Side Wire	Self-Grounding, Push, Back and Side Wire	Self-Grounding, Push, Back and Side Wire
Rating	15A 120-277V AC	15A 120V AC	15A 120V AC	20A 120-277V AC	15A 120-277V AC
Black	<b>RSD115BK</b>	—	—	<b>DS120NLBK**</b>	—
Brown	<b>RSD115</b>	—	—	<b>DS120NLBR**</b>	—
Gray	<b>RSD115GY</b>	—	—	<b>DS120NLGY**</b>	—
Ivory	<b>RSD115I</b>	<b>RSD115ILI*</b>	<b>RSD115PLI**</b>	<b>DS120NLIV**</b>	<b>RSD115IM</b>
Light Almond	<b>RSD115LA</b>	<b>RSD115ILLA*</b>	<b>RSD115PLLA**</b>	<b>DS120NLLA**</b>	<b>RSD115LAM</b>
White	<b>RSD115W</b>	<b>RSD115ILW*</b>	<b>RSD115PLW**</b>	<b>DS120NLWH**</b>	<b>RSD115WM</b>

Note: \*Light glows through the top portion of the rocker when switch is in the OFF position. Does not require a neutral wire.  
 \*\*Light glows through the top portion of the rocker when switch is in the OFF position. Requires a neutral wire.



RSD115W



RSD115PLW

#### Double Pole, Three Way and Four Way Decorator Quiet Rocker Switches

Description	Double Pole	Three Way	Three Way, Illuminated	Four Way
Termination	Self-Grounding, Back and Side Wire	Self-Grounding, Push, Back and Side Wire	Self-Grounding, Push, Back and Side Wire	Self-Grounding, Back and Side Wire
Rating	15A 120-277V AC	15A 120-277V AC	15A 120V AC	15A 120-277V AC
Black	<b>RSD215BK</b>	<b>RSD315BK</b>	—	<b>RSD415BK</b>
Brown	<b>RSD215</b>	<b>RSD315</b>	—	<b>RSD415</b>
Gray	<b>RSD215GY</b>	<b>RSD315GY</b>	—	<b>RSD415GY</b>
Ivory	<b>RSD215I</b>	<b>RSD315I</b>	<b>RSD315ILI*</b>	<b>RSD415I</b>
Light Almond	<b>RSD215LA</b>	<b>RSD315LA</b>	<b>RSD315ILLA*</b>	<b>RSD415LA</b>
White	<b>RSD215W</b>	<b>RSD315W</b>	<b>RSD315ILW*</b>	<b>RSD415W</b>

Note: \*Light glows through the top portion of the rocker when switch is in the OFF position. Does not require a neutral wire.



DS120NLWH



RSD115WM

#### Decorator Weatherproof Series

Description	Color	Catalog Number
Style Line® rocker, weatherproof, self-grounding, 20A, 120/277V AC, back and side wire	Gray	<b>RSD120WPGY</b>
	Light Almond	<b>RSD120WPLA</b>
	White	<b>RSD120WPW</b>

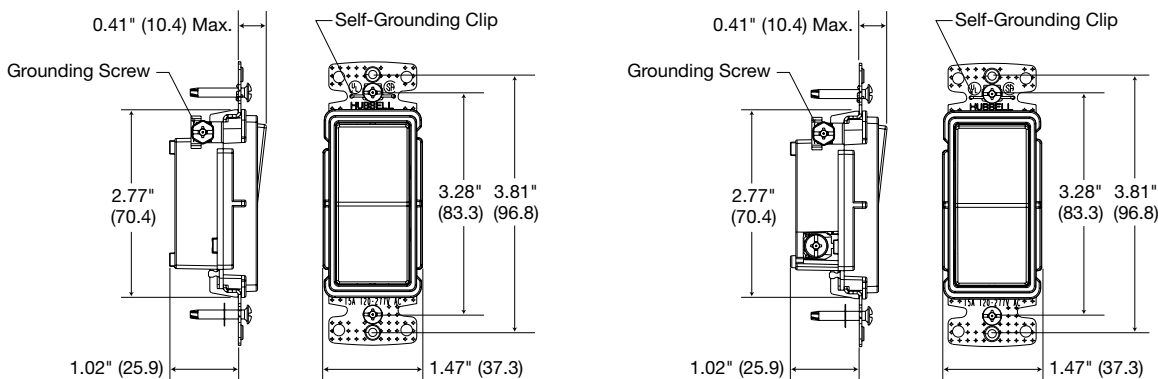


RSD120WPW



RSD215W

#### Dimensions



Single Pole Decorator Switch

Three Way Decorator Switch

Dimensions in Inches (mm)