

# Floor Boxes

## Above-Floor Service Fittings (Single Service)

Hubbell offers a variety of above-floor service pedestals to satisfy just about any requirement. Large capacity enables a choice of services—you can even create your own unique pedestal to satisfy specific requirements. Above floor service fittings are ideal for furniture feed applications.

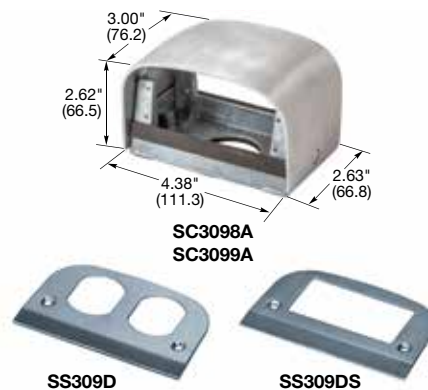
### Pedestals – Metallic – LO-CON (single service only)

Traditional metallic pedestals with die-cast aluminum frame, brushed aluminum housing and stainless steel faceplates. These pedestals are offered as component parts. They mount on floor box covers or floor deck/duct systems with ¼ inch or 1 inch threaded openings.

### Create Pedestal – Create your own pedestal to meet specific service requirements. Order housing, face plates and devices separately.



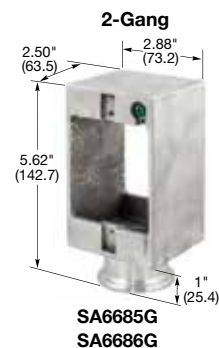
Description	Catalog Number
Frame, housing, ¼ in. chase nipple, without plates.	<b>SC3098A</b>
Frame, housing, 1 in. chase nipple, without plates.	<b>SC3099A</b>
Blank plate.	<b>SS309B</b>
Telephone bushing with 1 in. I.D. and (2) ⅝ in. KO for coax.	<b>SS309T</b>
Single receptacle plate with 1.39 in. (35.3) opening.	<b>SS309S</b>
Duplex receptacle plate.	<b>SS309D</b>
Style Line® decorator plate.	<b>SS309DS</b>



### Furniture Feed Plates – Use with SC3098A or SC3099A housings to feed furniture systems in office settings or display cases in retail applications.

Description	Catalog Number
Aluminum plate with ¼ in. trade size knockout.	<b>SS309SF</b>
Aluminum plate, blank.	<b>SS309BF</b>

Note: When using SS309SF on Hubbell's LO-CON pedestals, SS309BF must be used on the opposite side.



### Pedestals – Specialized Service – Large Capacity Pedestals (single service only)



Designed to accommodate receptacles up to 50A (4-gang only). These brushed aluminum pedestals are furnished with either a ¾ inch or 1 inch hub and are designed for mounting to floor box covers with ¾ inch or 1 inch threaded openings. Create your own unique pedestal with a wide choice of stainless steel plates and devices.

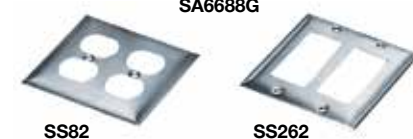
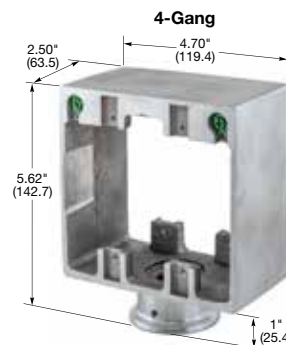
Description (2-Gang Housing)	Catalog Number
2-gang aluminum pedestal, grounded (front and back) with ¾ in. hub.	<b>SA6685G</b>
2-gang aluminum pedestal, grounded (front and back) with 1 in. hub.	<b>SA6686G</b>



### Plate Option – 1-Gang

Description	Catalog Number
Duplex opening.	<b>SS8</b>
Style Line® decorator opening.	<b>SS26</b>
Single receptacle opening – boss diameter 1.36 to 1.39 in. (34.5 to 35.3).	<b>SS7</b>
Single receptacle opening – boss diameter 1.55 to 1.58 in. (39.4 to 40.1).	<b>SS720</b>
Blank plate.	<b>SS13</b>

Description (4-Gang Housing)	Catalog Number
4-gang aluminum pedestal (2 front and 2 back), with ¾ in. hub.	<b>SA6687G</b>
4-gang aluminum pedestal (2 front and 2 back), with 1 in. hub.	<b>SA6688G</b>



### Plate Option – 2-Gang

Description	Catalog Number
Two duplex openings.	<b>SS82</b>
Two Style Line® decorator openings.	<b>SS262</b>
Two single receptacle openings – boss diameter 1.36 to 1.39 in. (34.5 to 35.3).	<b>SS72</b>
Single receptacle opening – boss diameter 2.41 to 2.44 in. (61.2 to 62.0).	<b>SS701</b>
Single receptacle opening – boss diameter 2.09 to 2.13 in. (53.1 to 54.1).	<b>SS703</b>
Blank plate.	<b>SS23</b>

Dimensions in Inches (mm)