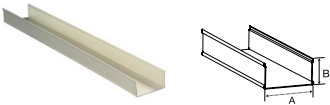

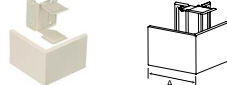


HBL3000 Series

| HBL3000 Series | Description | Color | Catalog Number | Description | Color | Catalog Number | |
|----------------|---------------------------------------------------------------------------------------|-----------------------------------------------------------------------------------|--------------------------------------------------------------------------------|-------------|-----------------------------------------------------------------------------------|----------------|----------------------------------------------------------------------------------------|
| | Single Channel Base Packed 100 ft. (30.5m) per carton, 10 ft. (3m) lengths. | Ivory Gray | HBL3000BIV HBL3000BGY A: 2.73" (69.34) B: 1.47" (37.34) | | 5 Ft. Cover Packed 100 ft. (30.5m) per carton, 5 ft. (1.5m) lengths. | Ivory Gray | HBL3000CEIV HBL3000CEGY A: 60.00" (1,524.00) B: 2.75" (69.85) |
| | Assembled cover and base dimensions. W: 2.75" (69.85) H: 1.53" (38.86) |  | | | 19.5 In. Precut Cover* For mounting devices on 24 in. (610.00) centers. | Ivory Gray | HBL3000C195IV HBL3000C195GY A: 19.50" (495.30) B: 2.75" (69.85) |
| | | | | | 7.5 In. Precut Cover* For mounting devices on 12 in. (305.00) centers. | Ivory Gray | HBL3000C075IV HBL3000C075GY A: 7.50" (190.50) B: 2.75" (69.85) |

Note: *Packed 10 pieces per carton. Device centers vary based on cover selection. Consult factory for details.

| Boxes | Description | Color | Catalog Number | Description | Color | Catalog Number |
|-------|-------------------------------------------------------------------------------------------------------------------------------------------------|---------------|----------------------------------------------------------------------------------------------------|-------------|---------------------------------------------------------------------------------------------------------------|----------------|
| | Utility Box Cover has twistouts on all sides, allows for box to be used as tee, cross, junction box or for branch circuit extensions. | Ivory Gray | HBL3028IV HBL3028GY A: 6.41" (162.89) B: 6.41" (162.89) C: 1.90" (48.26) | | 2-Gang Extra Deep Switch and Receptacle Box For standard 30, 50 and 60A straight blade receptacles. | Ivory Gray |

| Elbows and Tees | Description | Color | Catalog Number | Description | Color | Catalog Number | |
|-----------------|-----------------------------------------------------------------------------------------------------------|---------------|----------------------------------------------------------------------------------|-------------|--------------------------------------------------------------------------------------|----------------|-----------------------------------------------------------------------------------|
| | Internal Corner Coupling For surfaces at right angles or for use as a straight-through fitting. | Ivory Gray | HBL3017TCEIV HBL3017TCEGY A: 2.61" (66.29) | | External Corner Coupling For right angle turns around external corners. | Ivory Gray | HBL3018AEIV HBL3018AEGY A: 4.00" (101.60) |
| |  | | | |  | | |
| | 90° Flat Elbow For right angle turns on same surface. | Ivory Gray | HBL3011EIV HBL3011EGY A: 6.40" (162.40) B: 6.00" (152.40) | | Tee Fitting For branches at right angles. Couplings furnished. | Ivory Gray | HBL3015EIV HBL3015EGY A: 10.31" (261.94) B: 8.00" (203.20) |

Dimensions in Inches (mm)